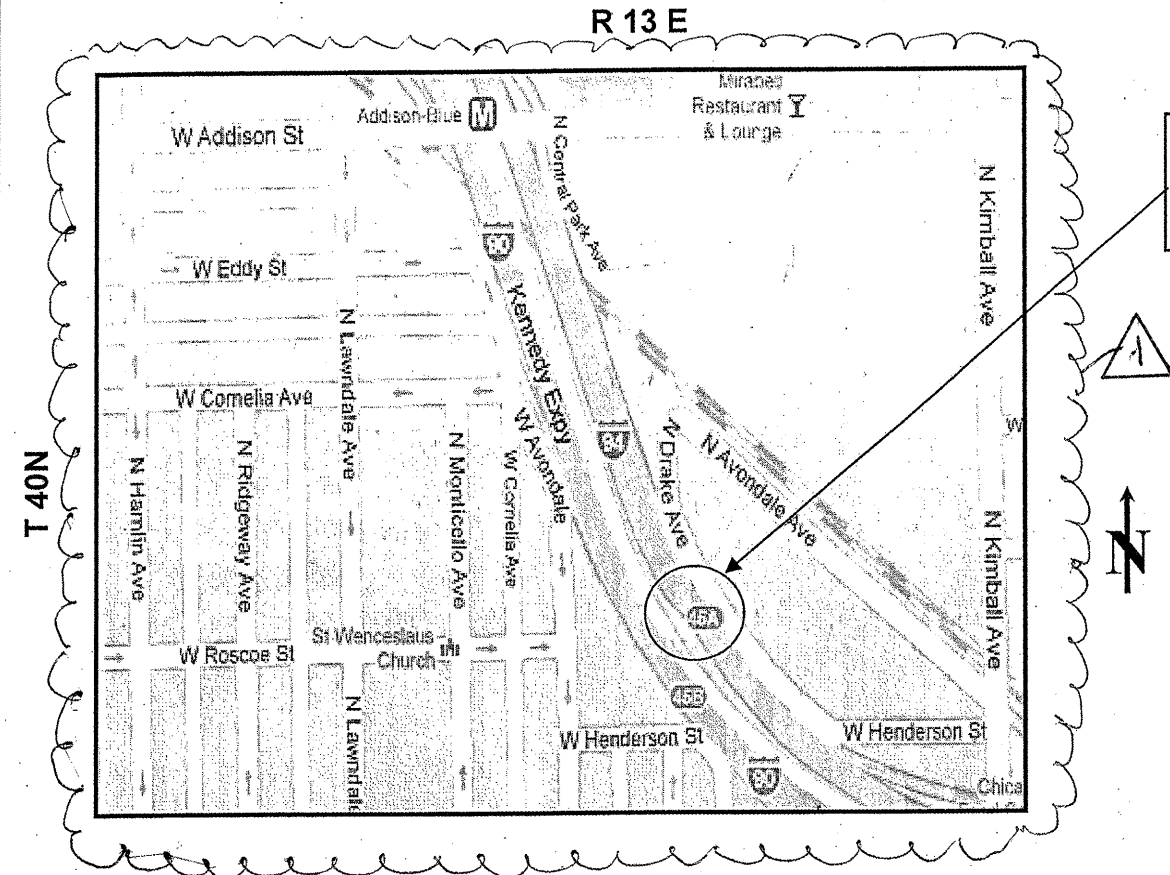
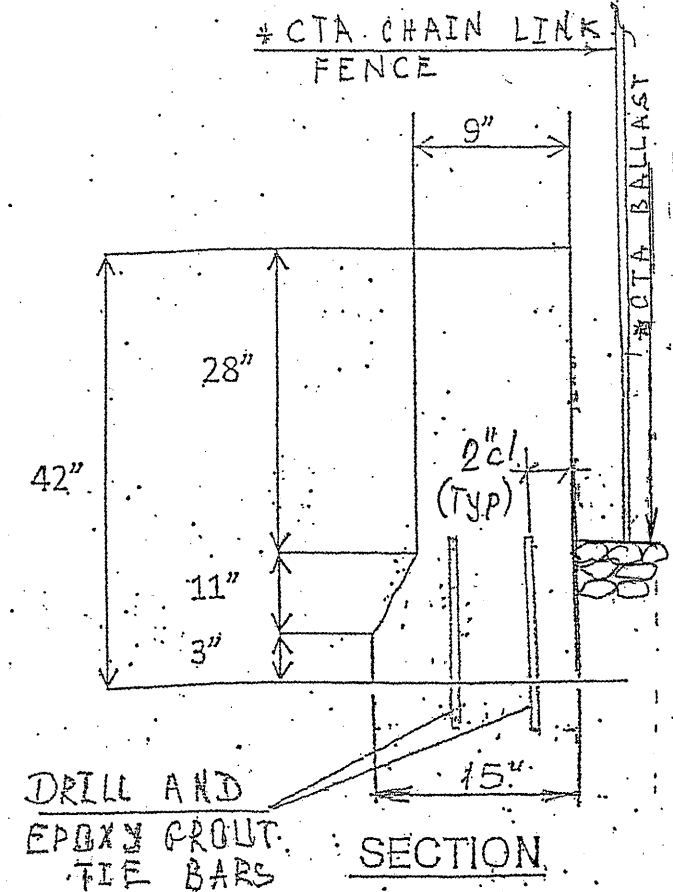
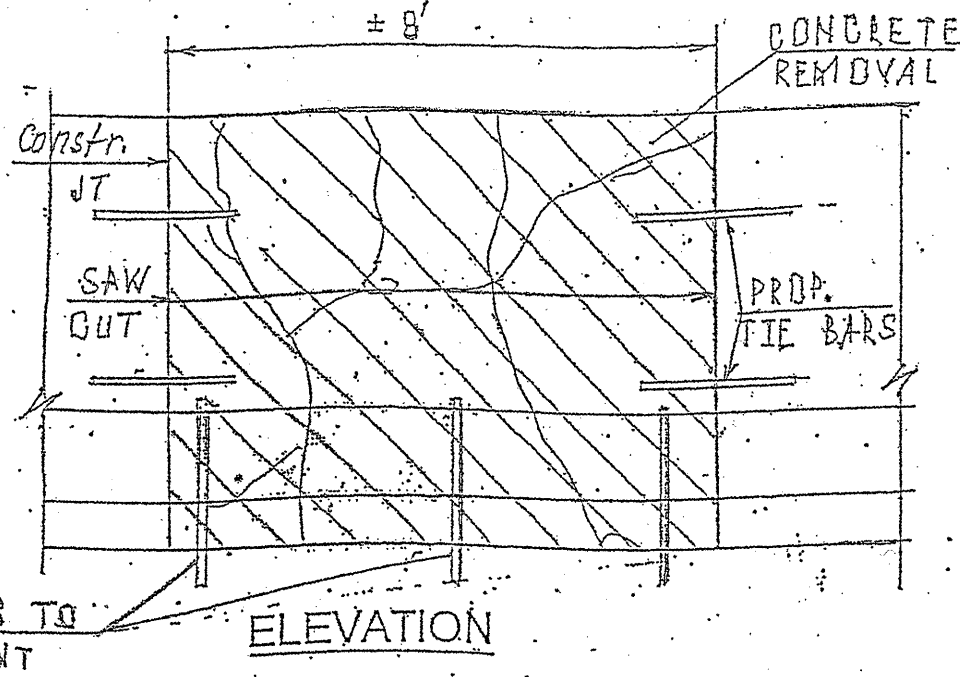


ROUTE	SECTION	COUNTY	TOTAL SHEETS	SHEET NUMBER
VARIOUS	2010-069-1	VARIOUS	34	17

Contract 60L54

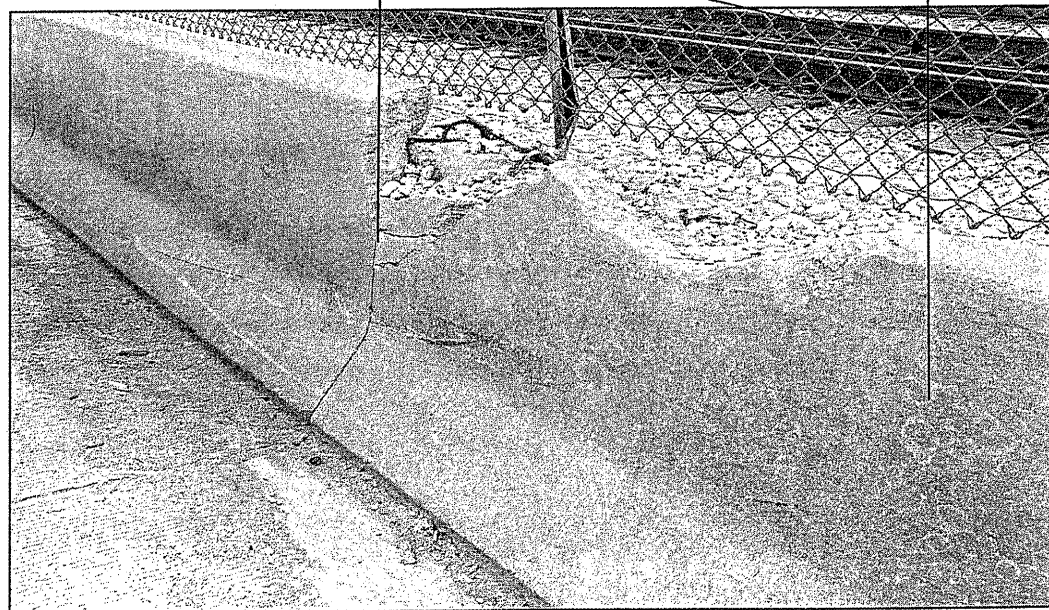


**LOCATION 6: I-90 (KENNEDY EXPY)
OUTBOUND, SOUTH OF ADDISON ST, AT
EXIT 45A, LEFT SIDE, BY CTA TRACKS**



*DO NOT DISTURB

CITY OF CHICAGO
WEST TOWNSHIP
COOK COUNTY



FULL DEPTH BARRIER REPAIR
FOR MORE DETAILS SEE SHEET # 8

CONCRETE REMOVAL (CU YD)	1.0
CONCRETE STRUCTURE (CU YD)	1.0
FOR INFORMATION ONLY	

TRAFFIC DATA:

I-90: SPEED LIMIT = 55 MPH
2008 ADT = 300200

1 Revised 05/26-2011 A.G.

ILLINOIS DEPARTMENT OF TRANSPORTATION

LOCATION: 6
I-90 (KENNEDY EXPRESSWAY)