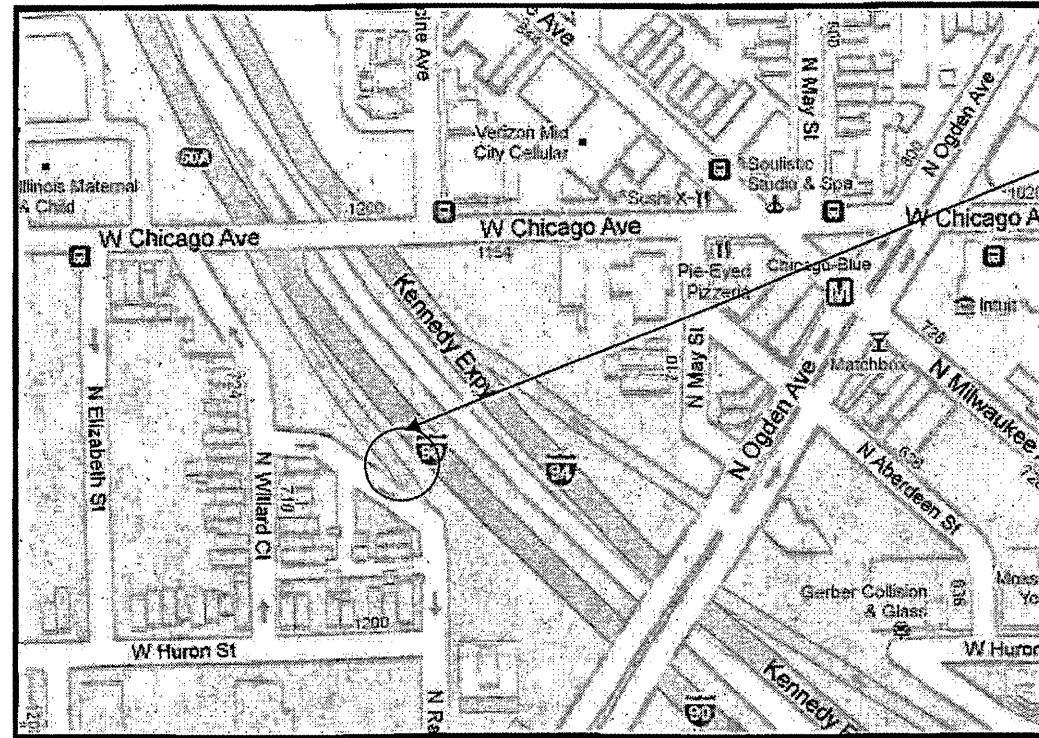


R 14 E

T 39N



CITY OF CHICAGO
WEST TOWNSHIP
COOK COUNTY

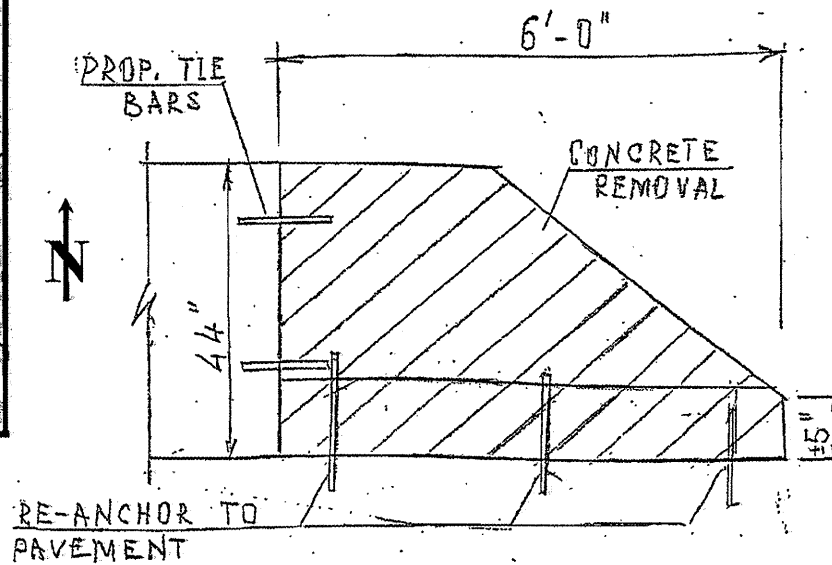


FULL DEPTH BARRIER REPLACEMENT
FOR MORE DETAILS SEE SHEET # 8

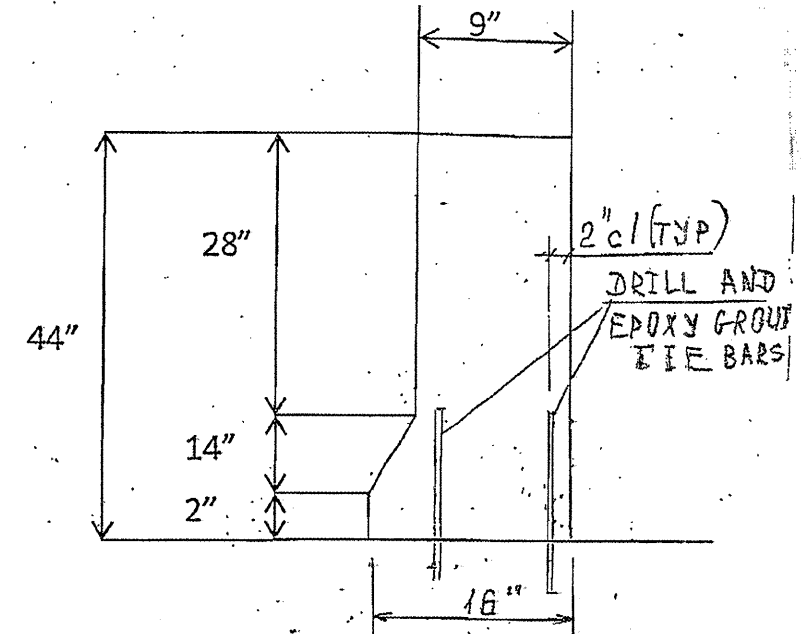
ROUTE	SECTION	COUNTY	TOTAL SHEETS	SHEET NUMBER
VARIOUS	2010-069-1	VARIOUS	34	16

Contract 60L54

**LOCATION 5 : I-90 (KENNEDY EXPY)
INBOUND AT OGDEN AVE EXIT RAMP,
AT END OF RAMP, LEFT SIDE.**



ELEVATION



SECTION

FULL DEPTH BARRIER REPAIR	
CONCRETE REMOVAL (CU YD)	0.50
CONCRETE STRUCTURE (CU YD)	0.50
FOR INFORMATION ONLY	

RE-ATTACH GUARDRAIL TERMINAL SECTION TYPE 10, STD 631046 TO THE END OF BARRIER WALL. COST INCLUDED IN COST OF "CONCRETE BARRIER WALL REMOVAL AND REPLACEMENT, LOCATION 5".

TRAFFIC DATA:

I-90: SPEED LIMIT = 55 MPH

2008 ADT = 317300

ILLINOIS DEPARTMENT OF TRANSPORTATION

LOCATION: 5
I-90 (KENNEDY EXPRESSWAY)