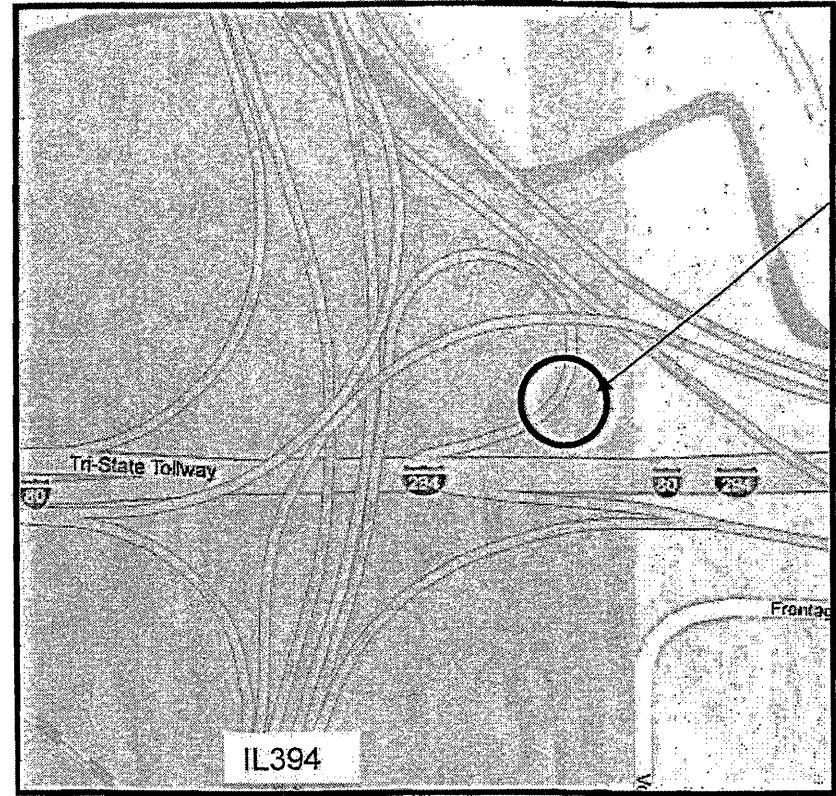


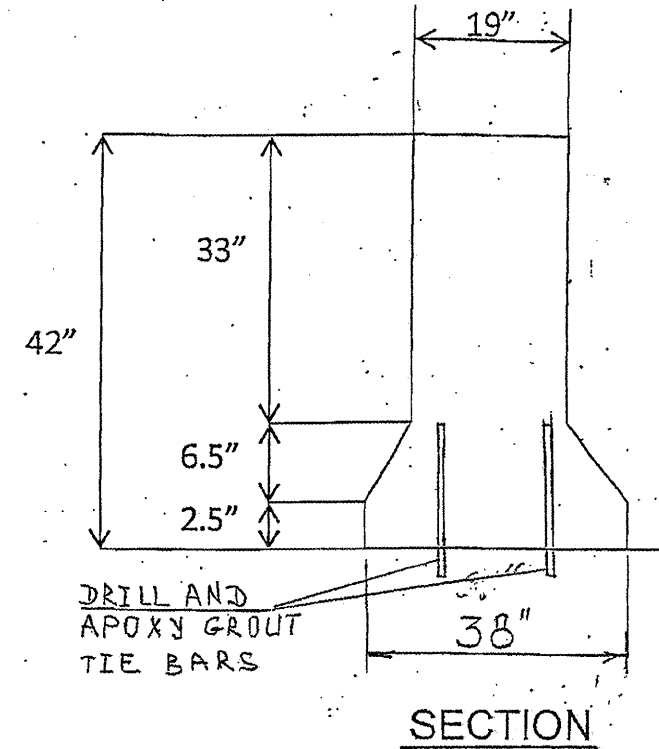
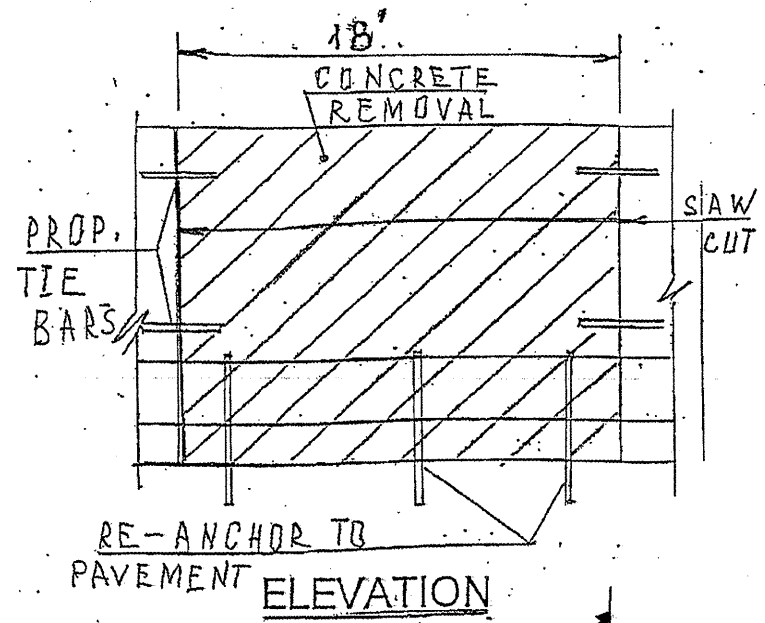
ROUTE	SECTION	COUNTY	TOTAL SHEETS	SHEET NUMBER
VARIOUS	2010-069-I	VARIOUS	34	26

Contract 60L54

R 14E

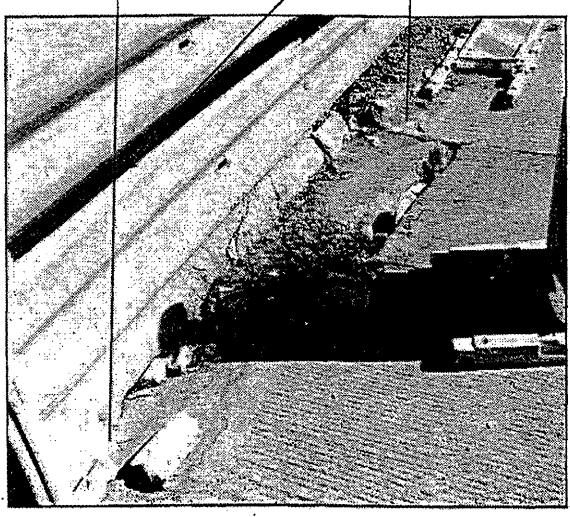
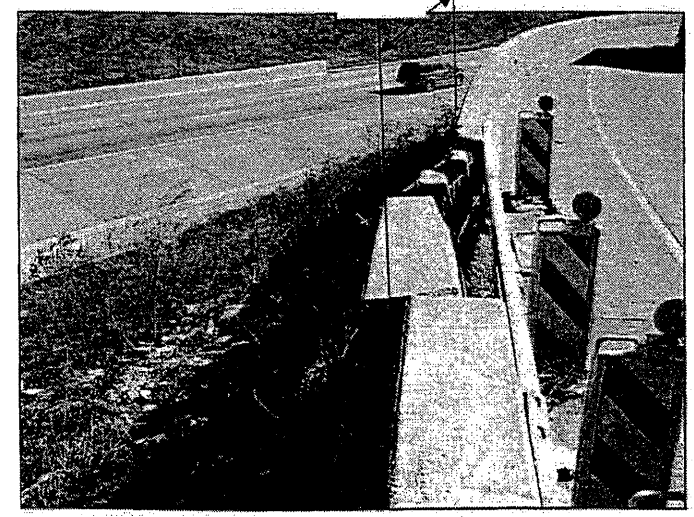
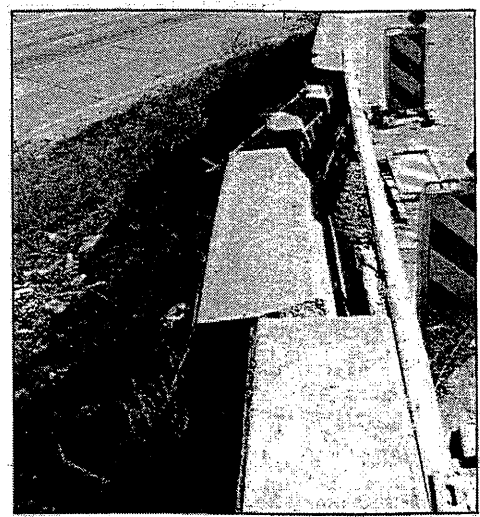


**LOCATION 15:**  
ON RAMP LEADING FROM NB IL394 TO WB I-80/I-294. LEFT SIDE OF LONG ARM RAMP.



VILLAGE OF LANSING  
BLOOM TOWNSHIP  
COOK COUNTY

FULL DEPTH BARRIER REPAIR	
CONCRETE REMOVAL (CU YD)	4.0
CONCRETE STRUCTURE (CU YD)	4.0
SHOULDER:	
CLASS "B" PATCHES (SQ YD)	3.6
DOWEL BARS (EACH)	8
SAW CUT (FT)	23
PATCHING REINFORCEMENT (SQ YD)	3.6
FOR INFORMATION ONLY	



**TRAFFIC DATA:**  
IL 394 SPEED LIMIT = 55 MPH  
2008 ADT = 64900

FULL DEPTH BARRIER REPAIR  
(FOR MORE DETAILS SEE SHEET #8)  
AND 5' WIDE & 6.5' LONG SHOULDER  
DAMAGE REPAIR.

ILLINOIS DEPARTMENT OF TRANSPORTATION  
  
LOCATION: 15  
NB IL 394 RAMP TO  
WB I-80/I-294