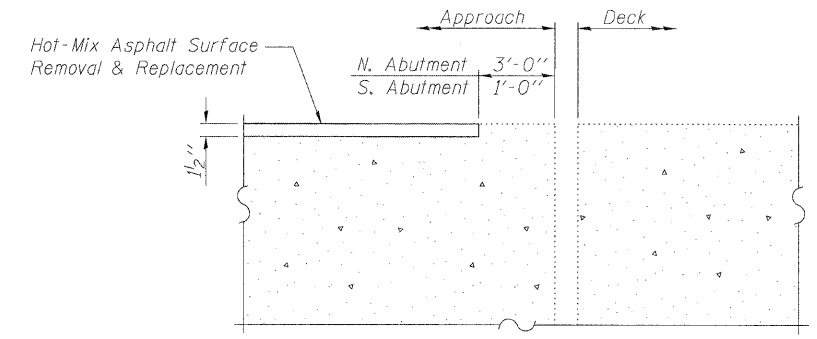
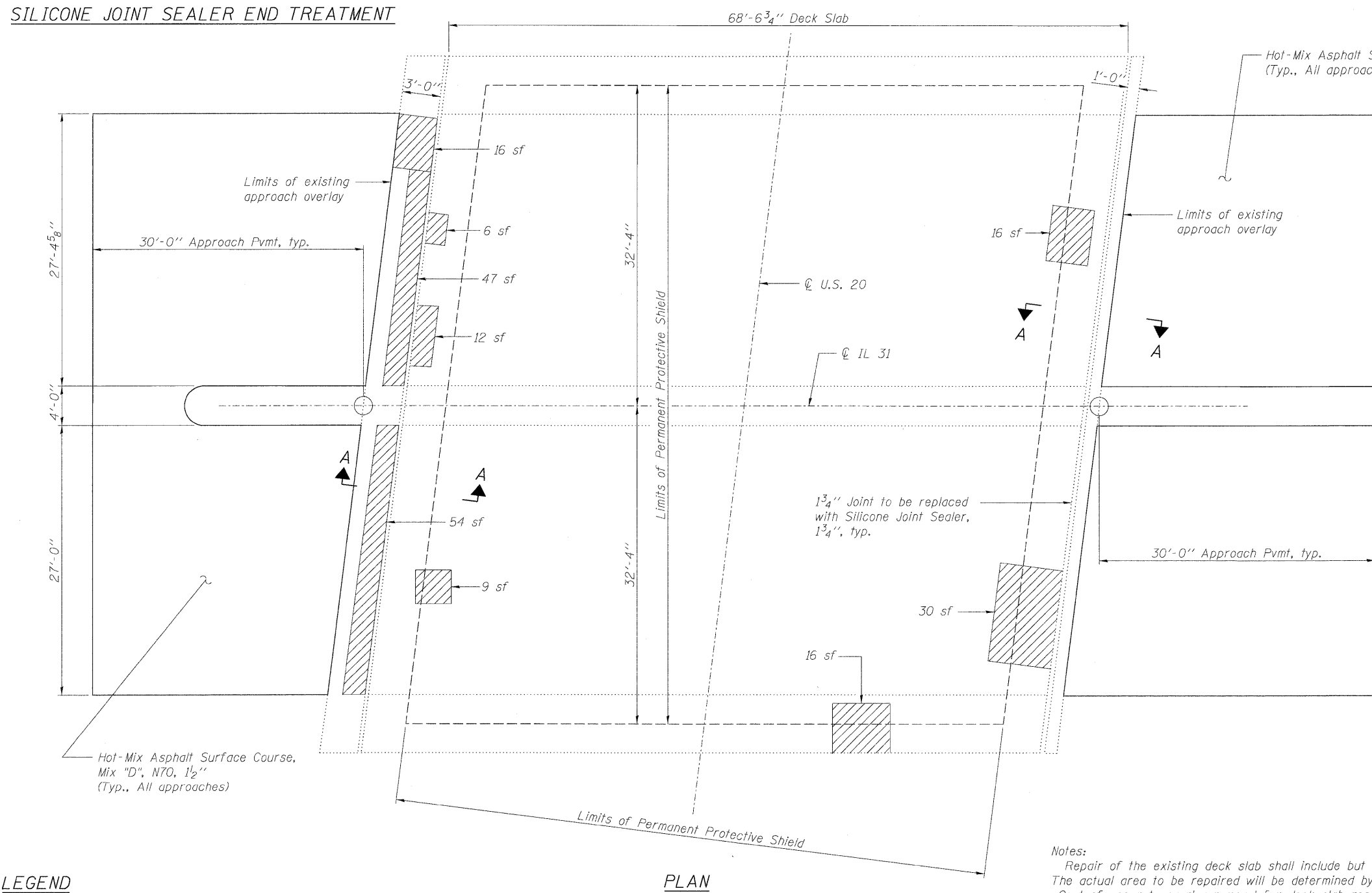


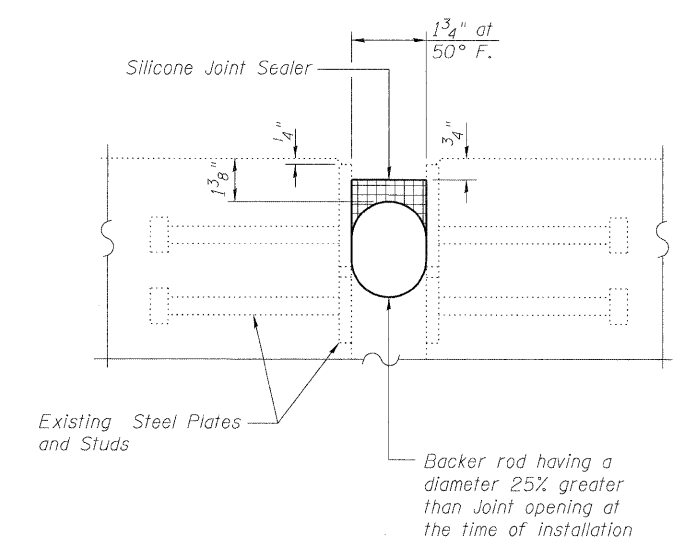
SILICONE JOINT SEALER END TREATMENT



SECTION A-A



PLAN



PROPOSED JOINT DETAIL @ ABUTMENTS

BILL OF MATERIAL

ITEM	UNIT	TOTAL
Bituminous Materials (Prime Coat)	Ton	0.1
Hot-Mix Asphalt Surface Course, Mix "D", N70, 1 1/2"	Ton	31
Hot-Mix Asphalt Surface Removal, 1 1/2"	Sq. Yd.	368
Silicone Joint Sealer, 1 3/4"	Foot	142
Deck Slab Repair (Partial)	Sq. Yd.	22.9

LEGEND

- Deck Slab Repair (Partial)
- sf Square Feet

Notes:
 Repair of the existing deck slab shall include but may not be limited to the areas shown. The actual area to be repaired will be determined by the Engineer at the time of construction. Cost of concrete overlay removal for deck slab repair is included with the cost of Deck Slab Repair.
 Cost of existing joint removal is included in the cost of Silicone Joint Sealer.
 See sheet 4 of 4 for Permanent Protective Shield details and quantity.