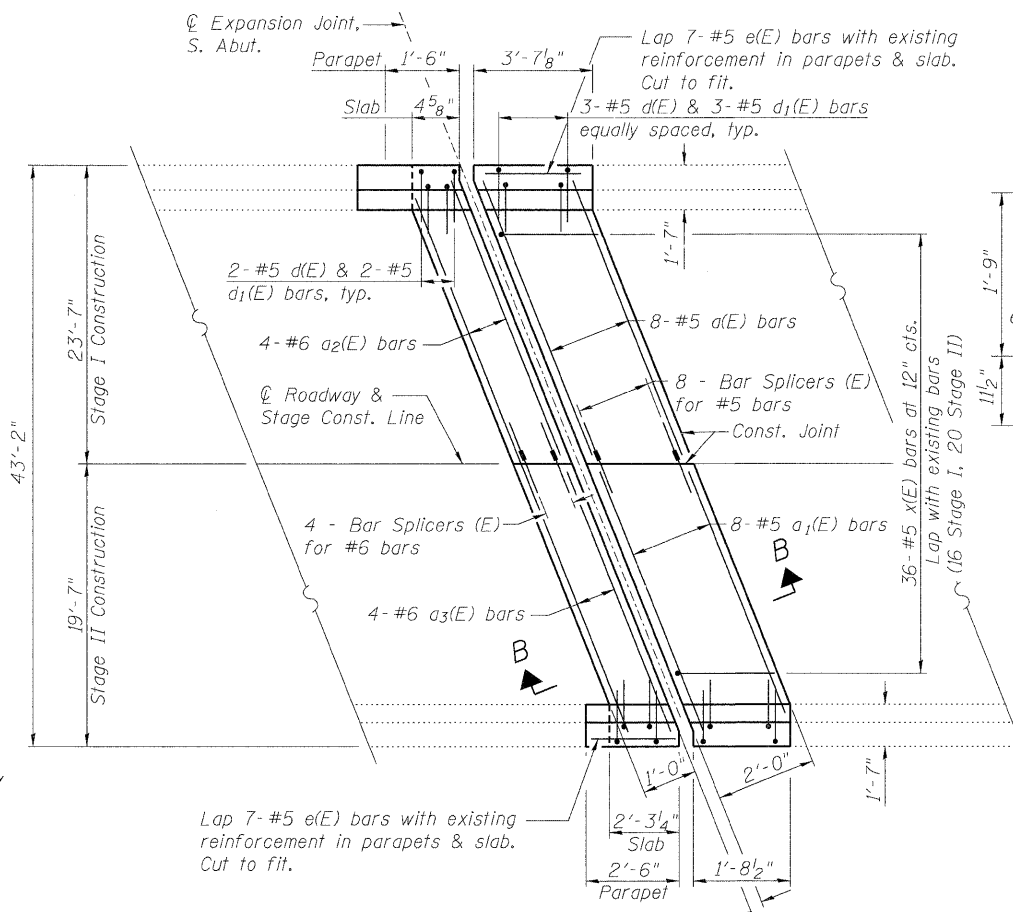
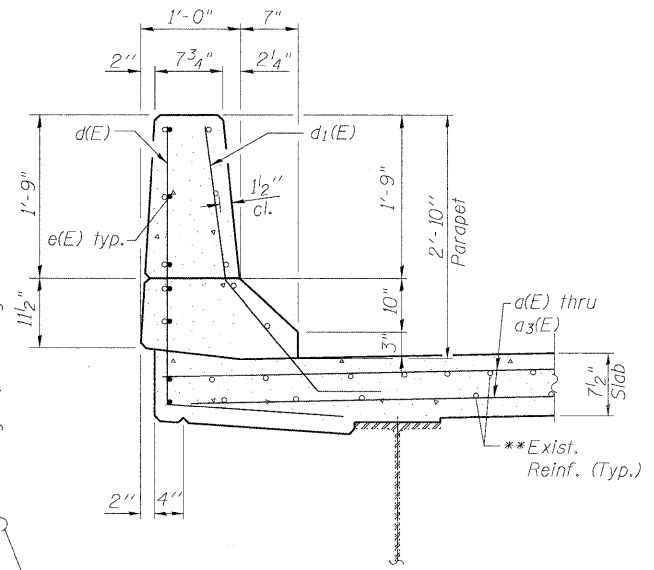


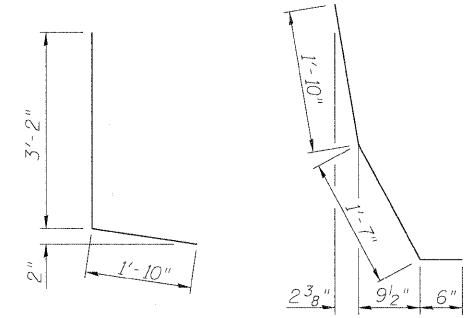
**PARTIAL PLAN SHOWING CONCRETE REMOVAL AT SOUTH ABUTMENT**  
(South abutment shown, north abutment opposite hand)



**PARTIAL PLAN SHOWING CONCRETE REPLACEMENT AT SOUTH ABUTMENT**  
(South abutment shown, north abutment opposite hand)



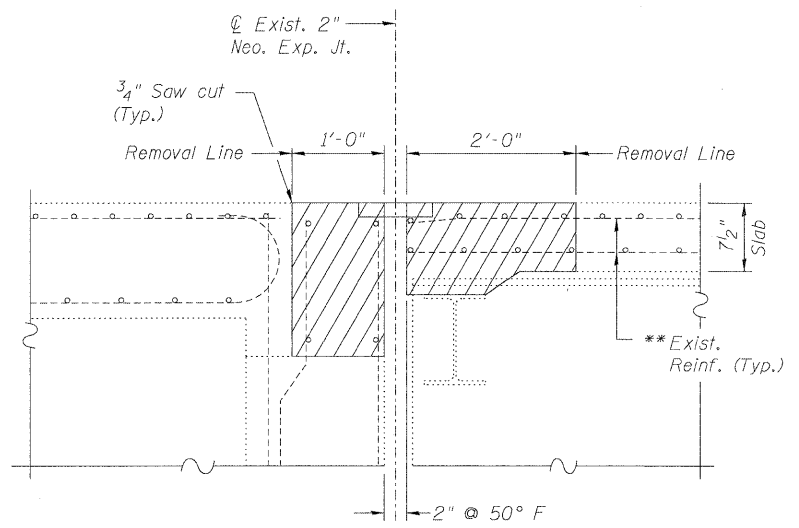
**SECTION THRU PARAPET**  
(Horiz. Dimensions at Rt. L's.)



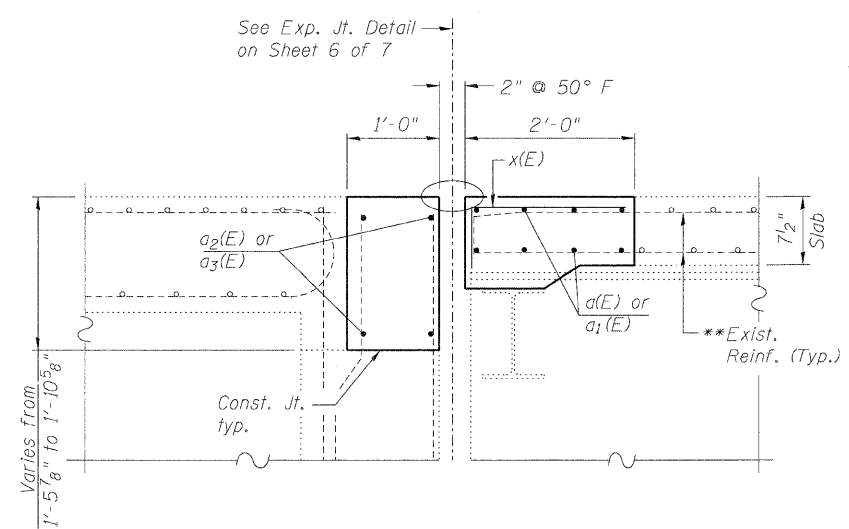
**BAR d(E)**      **BAR d1(E)**  
**BAR x(E)**

Notes:  
Hatched areas indicate Concrete Removal.  
Removal of the existing joint system is included with Concrete Removal.

\*\* Existing reinforcement extending into removal area shall be cleaned, straightened (if required) and incorporated into the new construction. Any reinforcement bars that are damaged during concrete removal shall be replaced with an approved bar splicer or anchorage system. Cost shall be included with Concrete Removal.



**SECTION A-A**  
(Dimensions at Rt. L's.)



**SECTION B-B**  
(Dimensions at Rt. L's.)

**BILL OF MATERIAL**  
(Two Abutments)

Bar	No.	Size	Length	Shape
a(E)	16	#5	30'-5"	—
a1(E)	16	#5	25'-1"	—
a2(E)	8	#6	30'-5"	—
a3(E)	8	#6	25'-1"	—
d(E)	20	#5	5'-0"	┘
d1(E)	20	#5	3'-11"	┘
e(E)	28	#5	2'-2"	—
x(E)	72	#5	2'-2"	┘
Concrete Removal			Cu. Yd.	13.1
Concrete Superstructure			Cu. Yd.	13.1
Reinforcement Bars, Epoxy Coated			Pound	2010