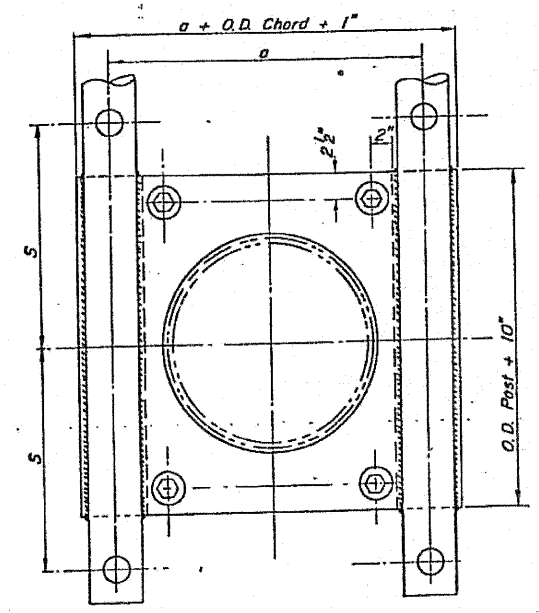
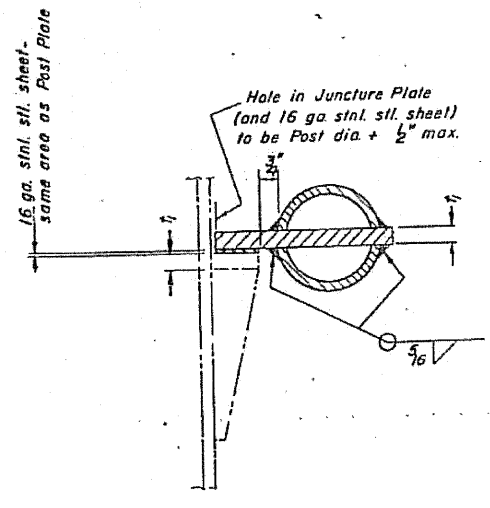
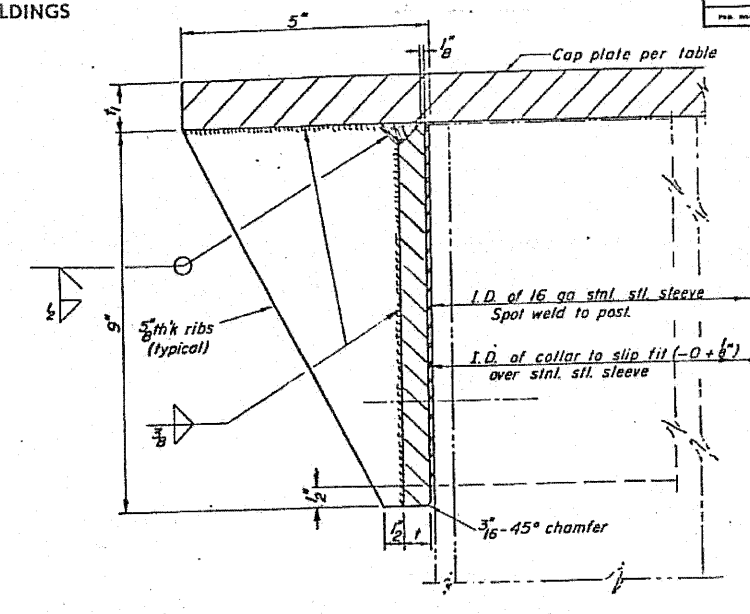
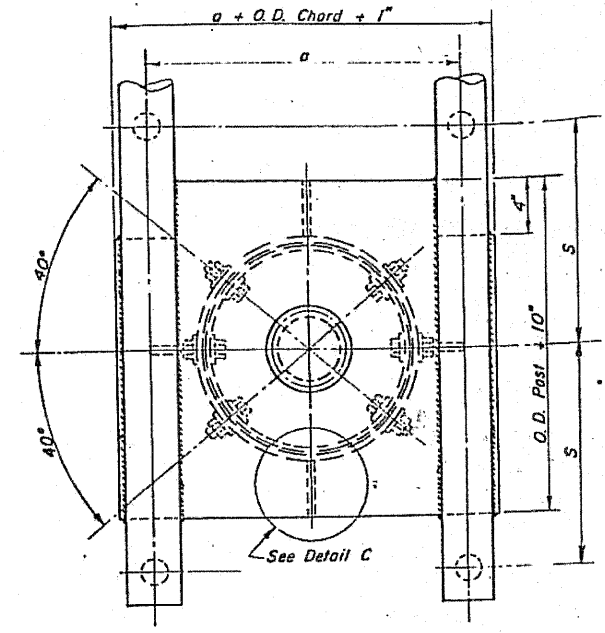
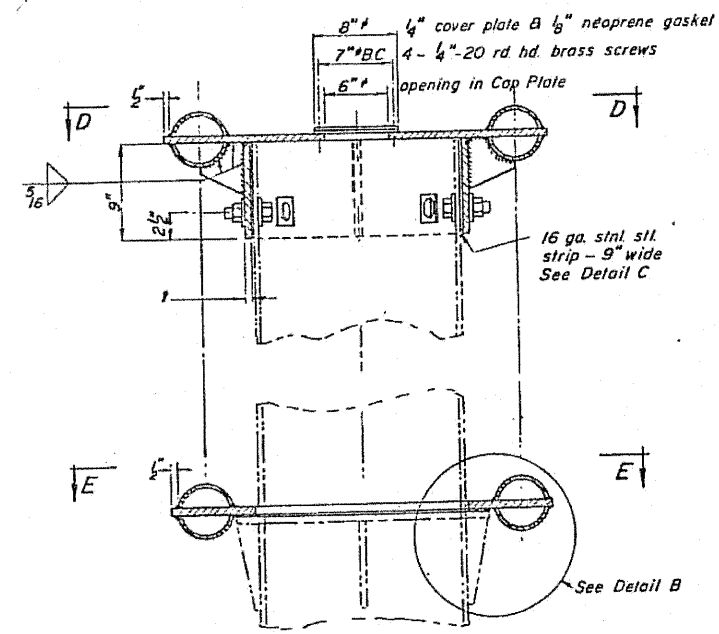


STATE OF ILLINOIS  
DEPARTMENT OF PUBLIC WORKS & BUILDINGS  
DIVISION OF HIGHWAYS

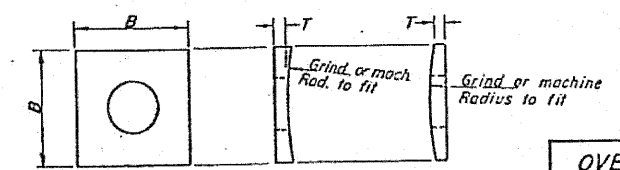
DATE	SECTION	COUNTY	TOTAL SHEETS	SHEET NO.
8-11-55	210-114-SG	DUPage, WILL	212	160
DESIGNED BY		CHECKED BY		DRAWN BY
B. L. B.		G. R. G.		B. C. D.

SHEET NO. SHEETS



Truss No	Station	Post Size	Dim. (a)	Dim. (S)	Cap Plate	Post Plate	Collar Thickness (t)	Junction Bolt Size
CLN-1	1524+37	24	36	21	34" x 1 x 42" / 2	34" x 1 x 42" / 2	7/8	1 1/4
CLS-1	1281+22	24	36	21	34" x 1 x 42" / 2	34" x 1 x 42" / 2	7/8	1 1/4
CLS-2	188+50	24	36	21	34" x 1 x 42" / 2	34" x 1 x 42" / 2	7/8	1 1/4
CLN-2	187+80	24	36	21	34" x 1 x 42" / 2	34" x 1 x 42" / 2	7/8	1 1/4
CLS-3	445+40	24	36	21	34" x 1 x 42" / 2	34" x 1 x 42" / 2	7/8	1 1/4
CLS-4	486+80	24	36	21	34" x 1 x 42" / 2	34" x 1 x 42" / 2	7/8	1 1/4
CLN-3	614+65	24	36	21	34" x 1 x 42" / 2	34" x 1 x 42" / 2	7/8	1 1/4
CLS-5	793+40	24	36	21	34" x 1 x 42" / 2	34" x 1 x 42" / 2	7/8	1 1/4
CLN-4	799+70	24	36	21	34" x 1 x 42" / 2	34" x 1 x 42" / 2	7/8	1 1/4
CLS-6	902+36	24	36	21	34" x 1 x 42" / 2	34" x 1 x 42" / 2	7/8	1 1/4
CLN-5	904+40	24	36	21	34" x 1 x 42" / 2	34" x 1 x 42" / 2	7/8	1 1/4
CLN-6	988+30	24	36	21	34" x 1 x 42" / 2	34" x 1 x 42" / 2	7/8	1 1/4

Existing Structure Data



Post Type	Post Size	Bolt Size
I	14" # E.S. (72.09#/1)	1"
II	16" # E.S. (82.77#/1)	1 1/8"
III	18" # E.S. (93.45#/1)	1 1/2"
IV	20" # E.S. (104.13#/1)	1 3/4"
V	24" # E.S. (125.49#/1)	2"

Note: Bolts, Washers (including contoured washers), and Locknuts shall be stainless steel. For material & ASTM Spec's see Supplementary Specifications for Highway Signing.

Bolt Size	Required Bolt Tension	Equivalent Torque	Contoured Washers		
			Hole Dia.	B	T
1"	42,500 lbs.	710 lb.-ft.	1 1/8"	2 1/2"	3/8"
1 1/8"	50,600 lbs.	960 lb.-ft.	1 1/4"	2 3/4"	3/8"
1 1/4"	64,500 lbs.	1350 lb.-ft.	1 3/8"	3"	3/8"

OVERHEAD SIGN STRUCTURES\_CANTILEVER  
JUNCTURE DETAILS  
ALUMINUM TRUSS & STEEL POST

FOR INFORMATION ONLY

COPYRIGHT © 2000 BY BAXTER & WOODMAN, INC.  
STATE OF ILLINOIS - PROFESSIONAL DESIGN FIRM  
1100 N. W. 11TH ST., SUITE 200, DEERFIELD, IL 60015  
TEL: 847-944-4400 FAX: 847-944-4401

DESIGNED	B. L. B.	EXAMINED	
CHECKED	B. A. B.	PASSED	
DRAWN	B. C. D.	APPROVED	

FILE NAME	USER NAME	DESIGNED	BLB	REVISOR	
		CHECKED	BAB	REVISOR	
		DRAWN	BCD	REVISOR	
		CHECKED	BLB	REVISOR	

STATE OF ILLINOIS  
OVERHEAD SIGN REHABILITATION

EXISTING  
PLAN

SHEET NO. 7 OF 8 SHEETS

FAT. RTE.	SECTION	COUNTY	TOTAL SHEETS	SHEET NO.
55	2010-114-SG	WILL	115	97
CONTRACT NO. 60M48			ILLINOIS FED. AID PROJECT	