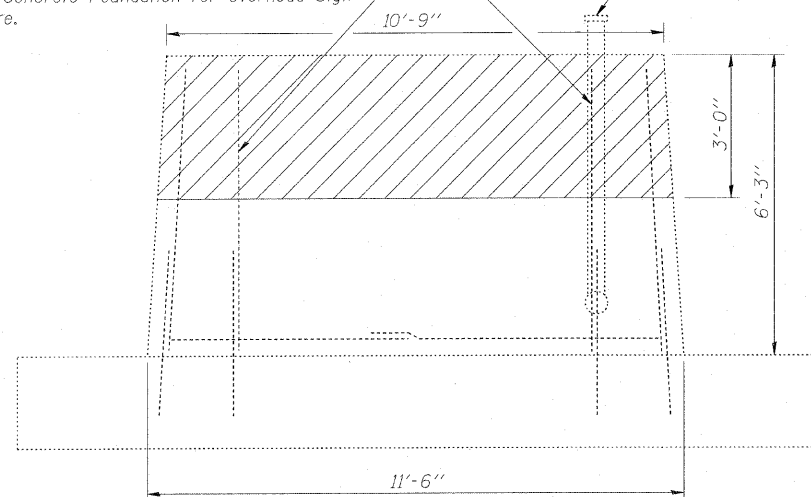


Existing reinforcement extending into the removal area shall be cleaned and incorporated into the new construction. Cost included with Rebuild Concrete Foundation for Overhead Sign Structure.



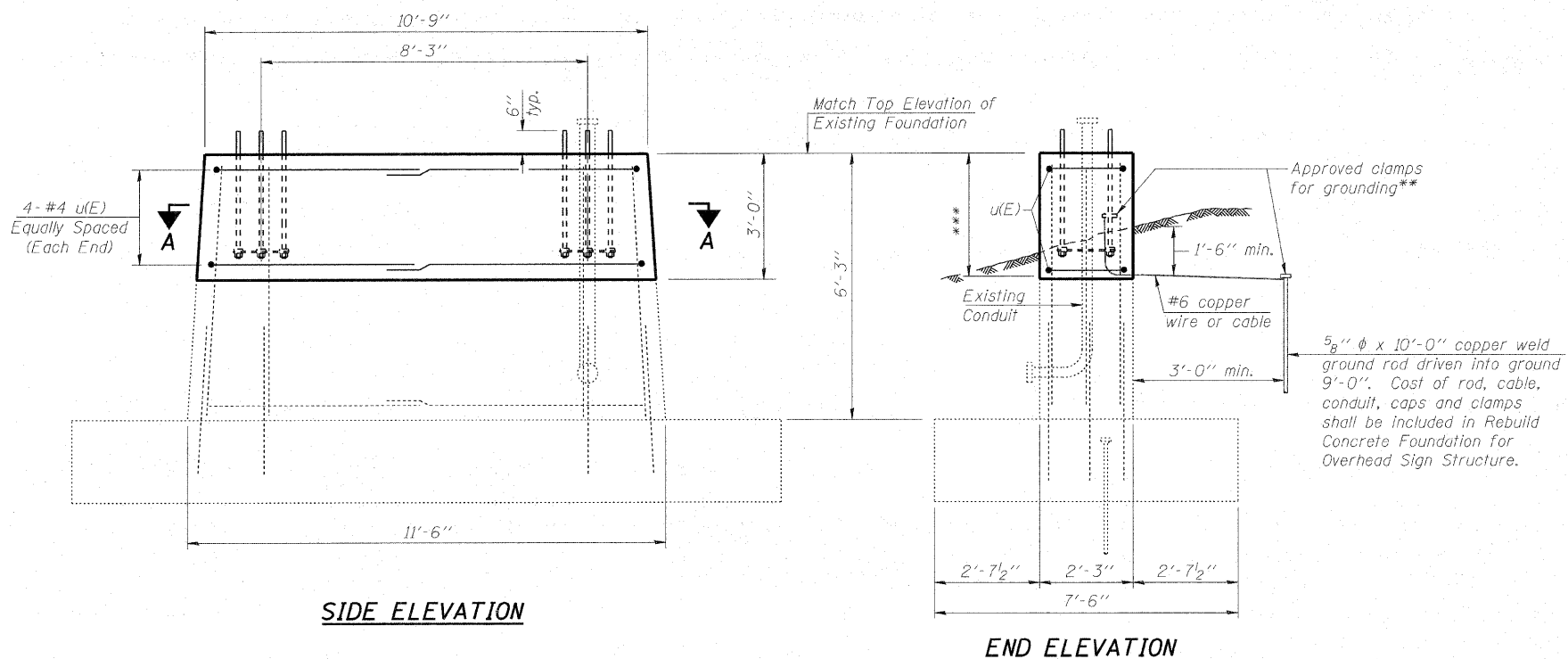
CONCRETE REMOVAL

Existing 2" Ø Galv. Steel conduit to be cut off at least 6" below the top elevation of the foundation and abandoned in place.

For anchor rod size and placement, see Support Frame Detail Sheet.

** Anchor rod shall be ground or filed to bright metal at clamp and cable connection location.

*** A normal surface finish followed by a Bridge Seal Sealer application will be required on concrete surfaces above the lowest elevation 6" below finished ground line. Cost included in Rebuild Concrete Foundation for Overhead Sign Structure.



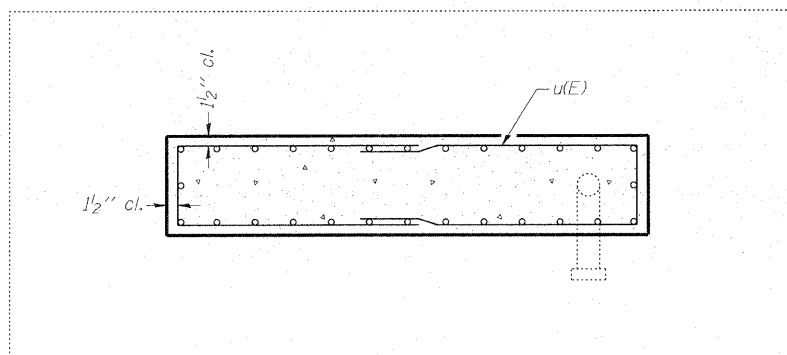
SIDE ELEVATION

END ELEVATION

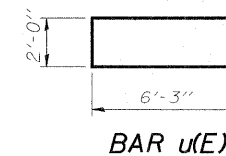
BILL OF MATERIAL EACH FOUNDATION

| Bar | Number | Size | Length | Shape |
|----------------------------------|--------|----------|--------|-------|
| u(E) | 8 | #4 | 14'-6" | □ |
| Item | Unit | Quantity | | |
| Concrete Removal | Cu Yd | 2.2 | | |
| Reinforcement Bars, Epoxy Coated | Pound | 80 | | |
| Concrete Structures | Cu Yd | 2.2 | | |

Quantities listed here will not be measured for payment, but shall be included with the unit bid price per Each for Rebuild Concrete Foundation for Overhead Sign Structure.



SECTION A-A



BAR u(E)

COPYRIGHT © 2010 BY BAXTER & WOODMAN, INC.
STATE OF ILLINOIS PROFESSIONAL DESIGN FIRM
NO. 1286 EXP. DATE 4/22/2011
... 1510 N. WOODSTOCK ST., SUITE 200, GARDEN GROVE, IL 60130
... 1510 N. WOODSTOCK ST., SUITE 200, GARDEN GROVE, IL 60130

| | | | | | | | | | | | |
|--------------------------|-------------|----------------|-----------|---|--|---|-------------|--------|--------------|-----------|--|
| FILE NAME = | USER NAME = | DESIGNED - BLB | REVISED - | STATE OF ILLINOIS OVERHEAD SIGN REHABILITATION | REBUILD CONCRETE FOUNDATION DETAILS | FAT | SECTION | COUNTY | TOTAL SHEETS | SHEET NO. | |
| | | CHECKED - BAB | REVISED - | | | 55 | 2010-114-SG | WILL | 115 | 105 | |
| PLOT SCALE = | | DRAWN - BCD | REVISED - | | | CONTRACT NO. 60M48 | | | | | |
| PLOT DATE = | | CHECKED - BLB | REVISED - | | | FED. ROAD DIST. NO. 1 ILLINOIS FED. AID PROJECT | | | | | |
| SHEET NO. 7 OF 11 SHEETS | | | | | | | | | | | |