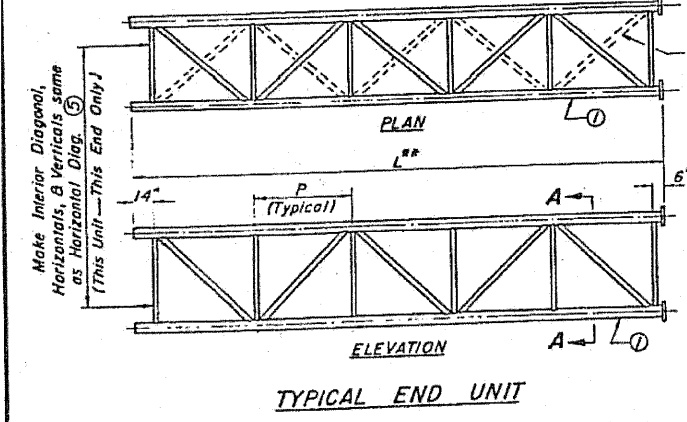
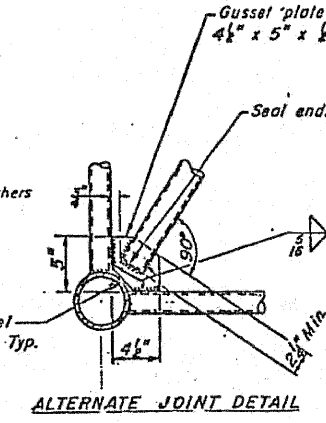
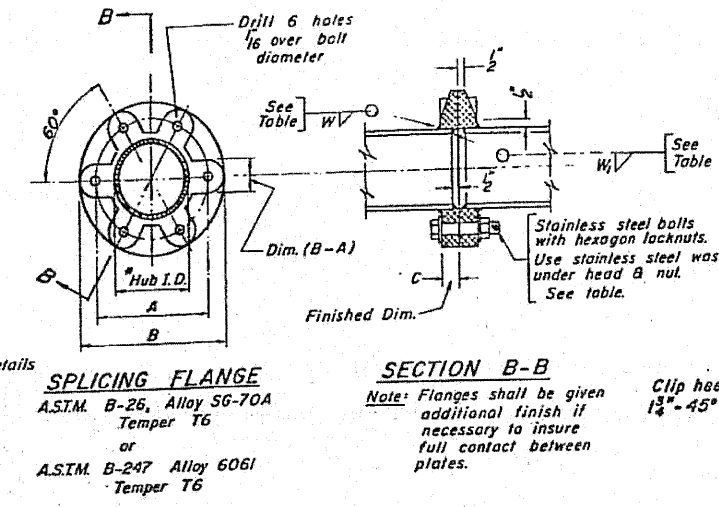
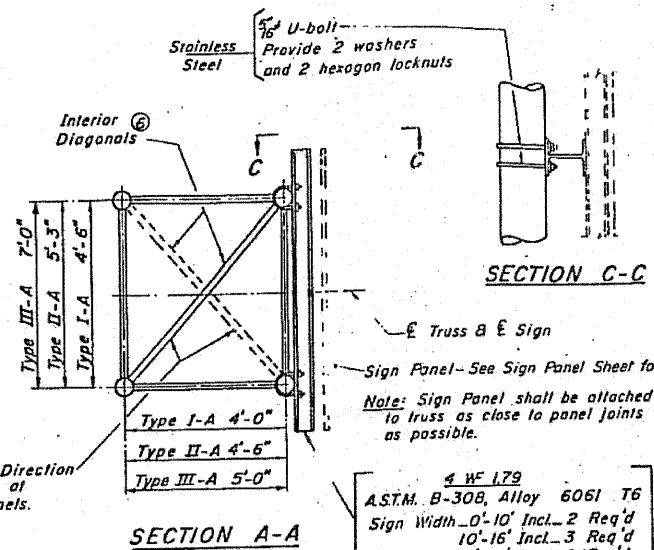
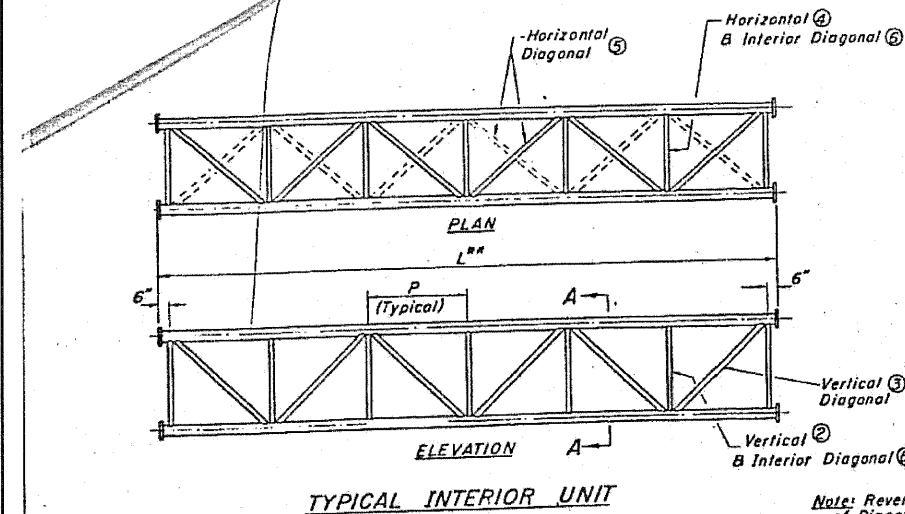


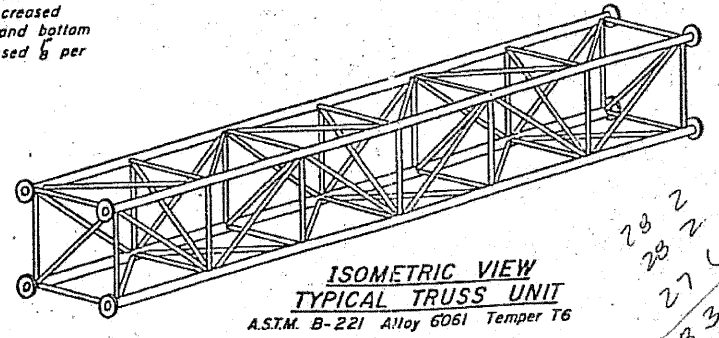
STATE OF ILLINOIS
DEPARTMENT OF PUBLIC WORKS & BUILDINGS
DIVISION OF HIGHWAYS

DIST.	SECTION	COUNTY	TOTAL SHEETS	SHEET NO.
55	2010-114-SG	GRUNDY	212	183



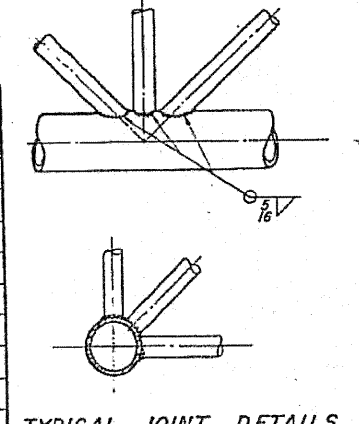
Note: Reverse Direction of Diagonals at alternate panels.

**Dimension "L" of top chord of truss unit shall be increased 6 per 20'-0" of truss and bottom chord shall be decreased 6 per 20'-0" of truss unit.

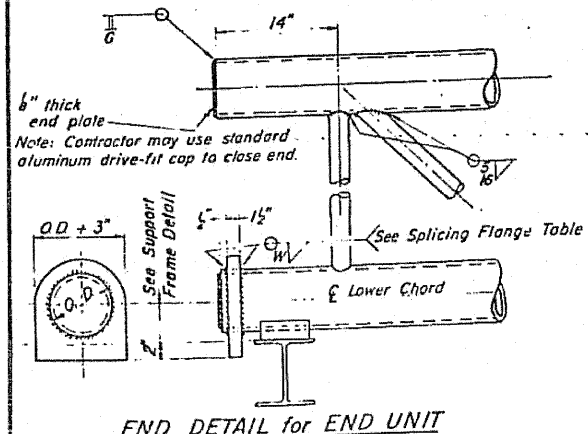


SPlicing FLANGE TABLE

Truss Number	Bolts		W	W _t	A	B	C
	No.	Size					
TRN-1	48	1"	5/16"	1/4"	10 7/8"	13 3/4"	1 7/8"
TRS-2	48	7/8"	1/4"	3/16"	9 1/4"	12 1/4"	1 9/8"
TRS-3	48	1"	5/16"	1/4"	10 1/2"	13 3/8"	1 1/2"
TRN-2	48	1"	5/16"	1/4"	10 7/8"	13 3/4"	1 7/8"
TRN-6	48	7/8"	5/16"	1/4"	8 3/4"	11 3/4"	1 1/2"
TRS-7	48	7/8"	5/16"	1/4"	8 3/4"	11 3/4"	1 1/2"
TRN-II	48	7/8"	5/16"	1/4"	8 1/2"	11 7/8"	1 1/2"
TRE-2	48	1"	5/16"	1/4"	10 1/4"	13 3/4"	1 7/8"
TRW-2	48	1"	5/16"	1/4"	10 1/4"	13 3/4"	1 7/8"
RTRS-6	48	1"	9/16"	1/4"	11"	14 1/2"	2



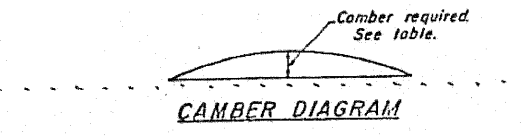
Note: All members shall fit snugly before welding.



DESIGNED	EXAMINED
CHECKED	PASSED
DRAWN	APPROVED
CHECKED	

TRUSS UNIT TABLE

Truss Number	Station	Truss Type	End Units (2)		No. Req'd.	Interior Unit		Top & Bot. Chord		Vertical Diag.	Horizontal Diag.	Interior Diag.	Camber at E
			No. Panels per Unit	Unit Lgth. (L)		No. Panels per Unit	Unit Lgth. (P)	O.D. Wall	O.D. Wall				
TRN-1	1563+75	I-A	6	29'-0 1/2"	1	6	28'-4 1/2"	6"	14"	2"	3/16"	2 1/2"	3"
TRS-2	1538+30	I-A	5	25'-6 4"	1	4	20'-1"	4'-9 4"	5"	2"	3/16"	2 1/2"	2 3/4"
TRS-3	1507+00	I-A	6	28'-2"	1	6	27'-6"	4'-5"	6"	2"	3/16"	2 1/2"	2 3/4"
TRN-2	1150+25	III-A	5	23'-10 1/4"	1	6	27'-7 1/2"	4'-5 1/4"	6"	1/4"	2 1/2"	3/16"	2 1/4"
TRN-6	469+40	I-A	5	24'-5 3/4"	1	6	28'-4 1/2"	4'-6 3/4"	5"	1/4"	1 3/4"	3/16"	2 1/2"
TRS-7	623+05	I-A	5	24'-5 3/4"	1	6	28'-4 1/2"	4'-6 3/4"	5"	1/4"	1 3/4"	3/16"	2 1/2"
TRN-II	1025+11	II-A	5	26'-11 3/4"	1	4	21'-3"	5'-0 3/4"	4 3/4"	1/4"	2"	3/16"	2"
TRE-2	625+00	II-A	5	26'-2 3/4"	1	6	32'-10 1/2"	5'-3 3/4"	6"	1/4"	2"	3/16"	2 3/4"
TRW-2	649+20	III-A	6	31'-2"	1	6	30'-6"	4'-11"	6"	1/4"	2"	3/16"	3"
RTRS-6	637+00	IV-A	6	26'-2"	1	6	33'-8"	4'-5 1/2"	6 1/2"	5/16"	2 1/2"	1/4"	1 1/2"



Existing Structure Data

OVERHEAD SIGN STRUCTURES
ALUMINUM TRUSS DETAILS

FOR INFORMATION ONLY

COPYRIGHT © 2006 BY BAXTER & WOODMAN, INC.
STATE OF ILLINOIS PROFESSIONAL DESIGN FIRM
555 E. MONROE STREET, CHICAGO, ILL. 60610
TEL: 312.487.5555 FAX: 312.487.5556