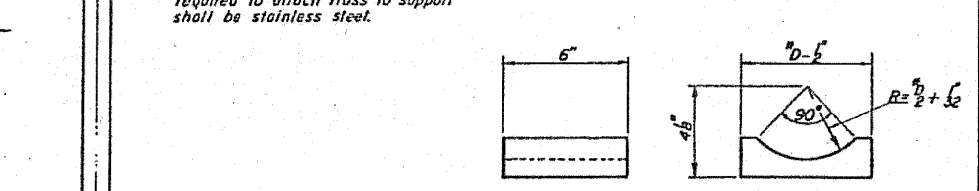
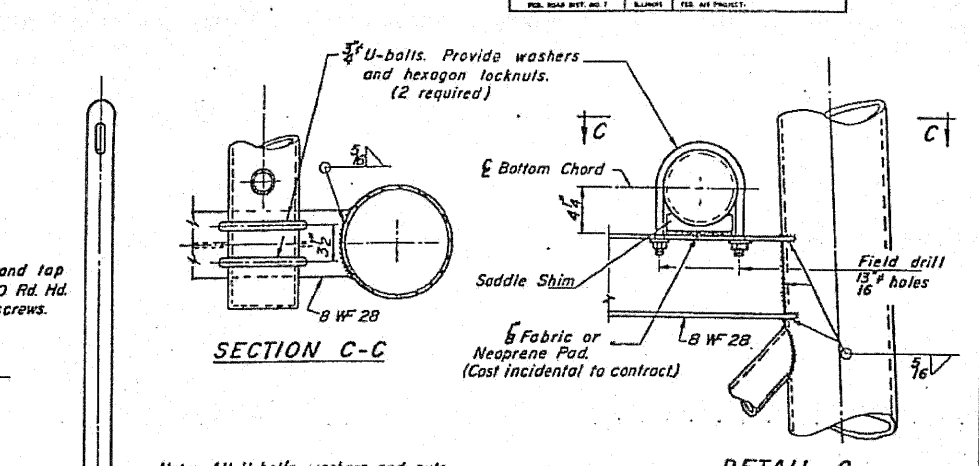
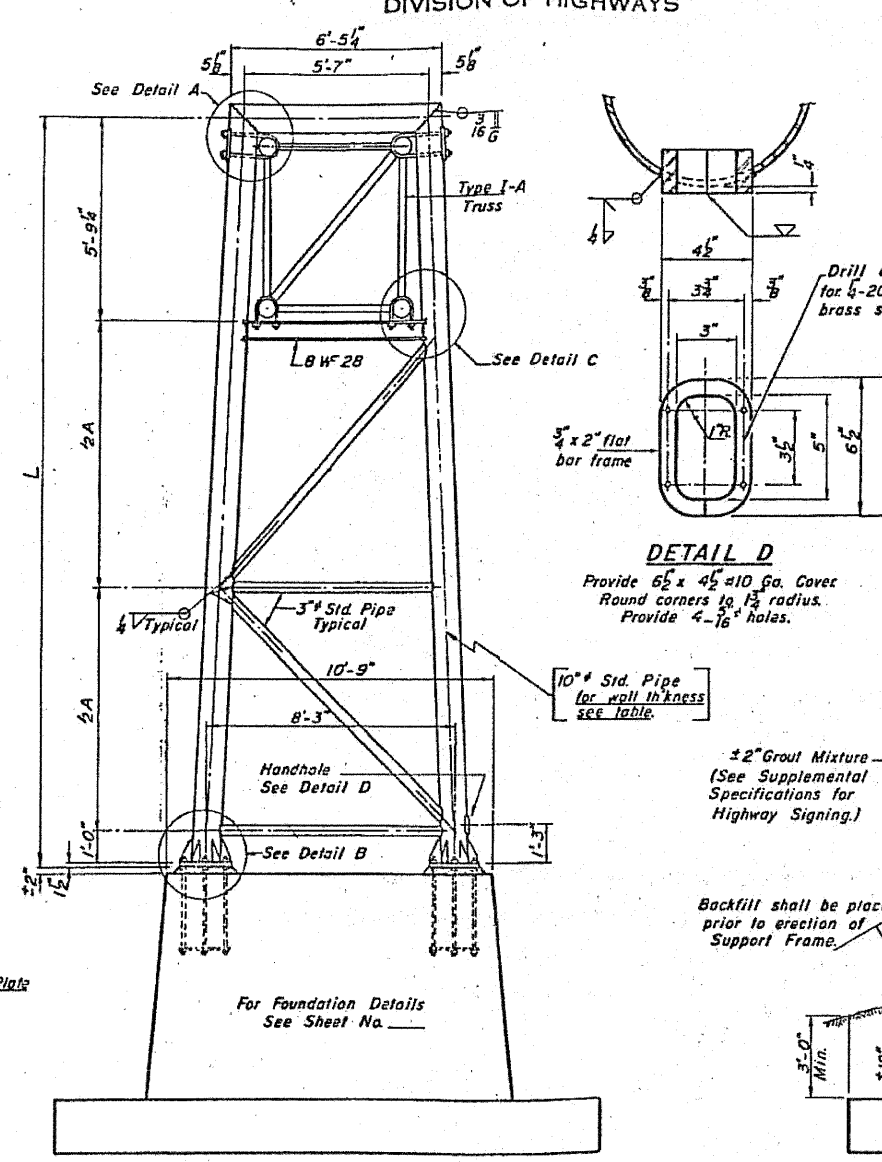
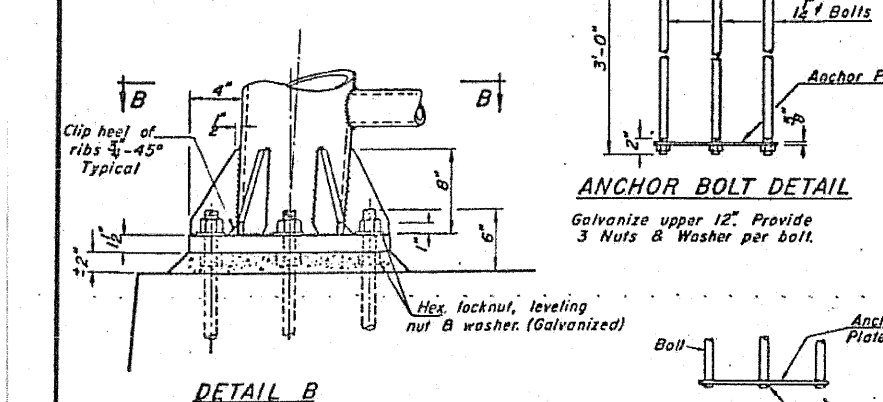
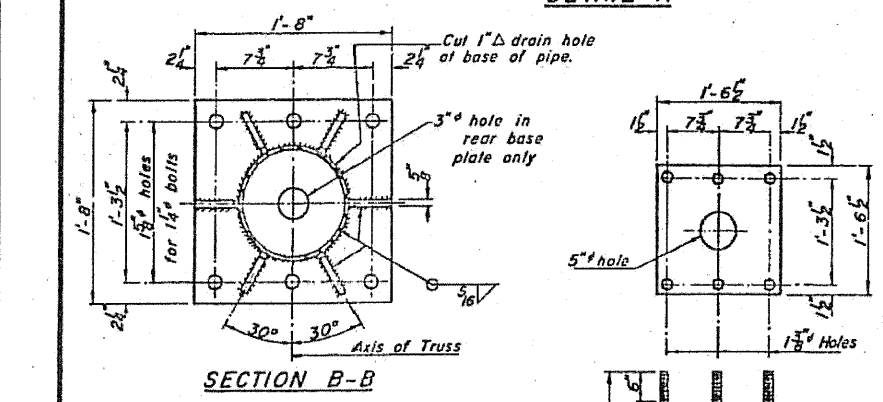
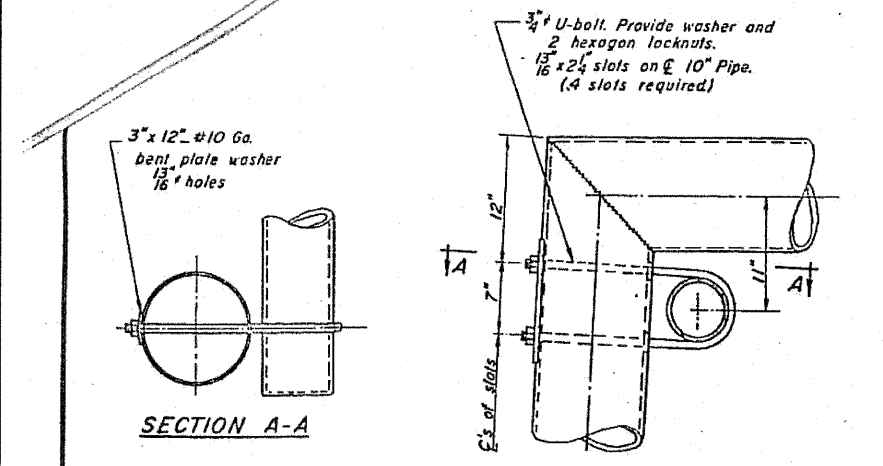


STATE OF ILLINOIS
DEPARTMENT OF PUBLIC WORKS & BUILDINGS
DIVISION OF HIGHWAYS

ROUTE NO.	DISTRICT	COUNTY	TOTAL SHEETS	SHEET NO.
55	112(11)	DuPAGE, WILL	212	184
SHEET NO.		SHEETS		



TRUSS NO	LEFT SUPPORT	RIGHT SUPPORT	Station	Wall Thickness	L	A
TRS-1	✓	✓	1563+75	0.307	26'-9 1/2"	19'-10 3/4"
TRS-2	✓	✓	1538+30	0.279	24'-3 1/2"	17'-4 3/4"
TRS-3	✓	✓	1507+00	0.307	26'-2"	19'-3 1/4"
TRS-6	✓	✓	469+40	0.279	26'-4 1/2"	19'-5 3/4"
TRS-7	✓	✓	623+05	0.279	26'-0"	19'-1 1/4"
RTS-6	✓	✓	637+00		20'-3 1/2"	18'-9"

DESIGNED	_____	11
CHECKED	_____	EXAMINED
DRAWN Wm M Best	_____	PASSED
CHECKED	_____	APPROVED

TRUSS SUPPORT DETAILS
(10" Std. Pipe - Type I-A Truss)

OVERHEAD SIGN STRUCTURES
SUPPORT FRAME for ALUMINUM TRUSS

FOR INFORMATION ONLY