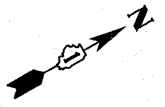
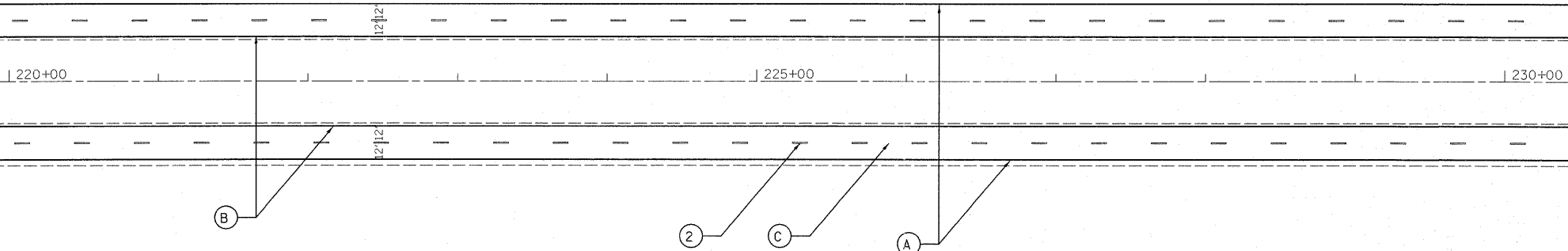


IL. ROUTE 53



MATCH LINE STA. 219+00

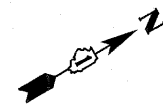
MATCH LINE STA. 234+00



- ① CROSSOVERS
 PROP. HOT-MIX ASPHALT SURFACE REMOVAL, 2 1/2"
 PROP. HMA SURFACE COURSE, MIX "D", N70, 1 1/2"
 PROP. POLYMERIZED LEVELING BINDER COURSE (MACHINE METHOD), IL-4.75, N50, 1"
- ② PROP. HOT-MIX ASPHALT SURFACE REMOVAL, 4"
 PROP. P.C. CONCRETE OVERLAY, 4"

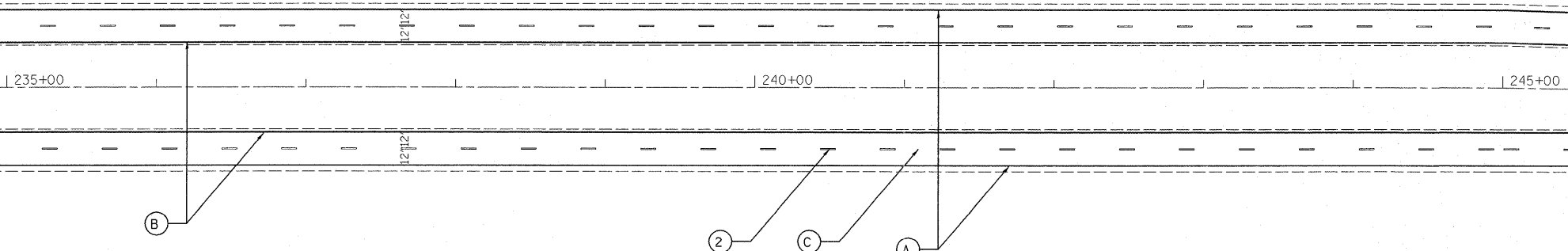
- Ⓐ PROP. POLYUREA PAVEMENT MARKING-LINE 4", WHITE (TYP.)
- Ⓑ PROP. POLYUREA PAVEMENT MARKING-LINE 4", YELLOW (TYP.)
- Ⓒ PROP. POLYUREA PAVEMENT MARKING-LINE 4", 10' DASH-30' SKIP, WHITE (TYP.)
- Ⓓ PROP. POLYUREA PAVEMENT TURN LANE MARKING-LINE 6", WHITE (TYP.)
- Ⓔ PROP. POLYUREA PAVEMENT MARKING DOUBLE LINES 4" @ C-C, YELLOW (TYP.)
- Ⓕ PROP. POLYUREA PAVEMENT STOP MARKING-LINE 24", WHITE (TYP.)
- Ⓖ PROP. POLYUREA PAVEMENT MARKING LETTERS AND SYMBOLS, WHITE (TYP.)

IL. ROUTE 53



MATCH LINE STA. 234+00

MATCH LINE STA. 249+00



FILE NAME = c:\pwork\pwork\qureshya\d0255746\012211-ah-plan.dgn	USER NAME = qureshya	DESIGNED -	REVISED -	STATE OF ILLINOIS DEPARTMENT OF TRANSPORTATION	ROADWAY AND PAVEMENT MARKING PLANS		F.A.P. RTE. 846	SECTION 4-RS-4	COUNTY WILL	TOTAL SHEETS 25	SHEET NO. 12
	PLOT SCALE = 50.0000' / IN.	CHECKED -	REVISED -				CONTRACT NO. 60N05				
	PLOT DATE = 4/5/2011	DATE -	REVISED -				ILLINOIS FED. AID PROJECT				
							SCALE:	SHEET NO. 8 OF 9 SHEETS	STA. TO STA.		