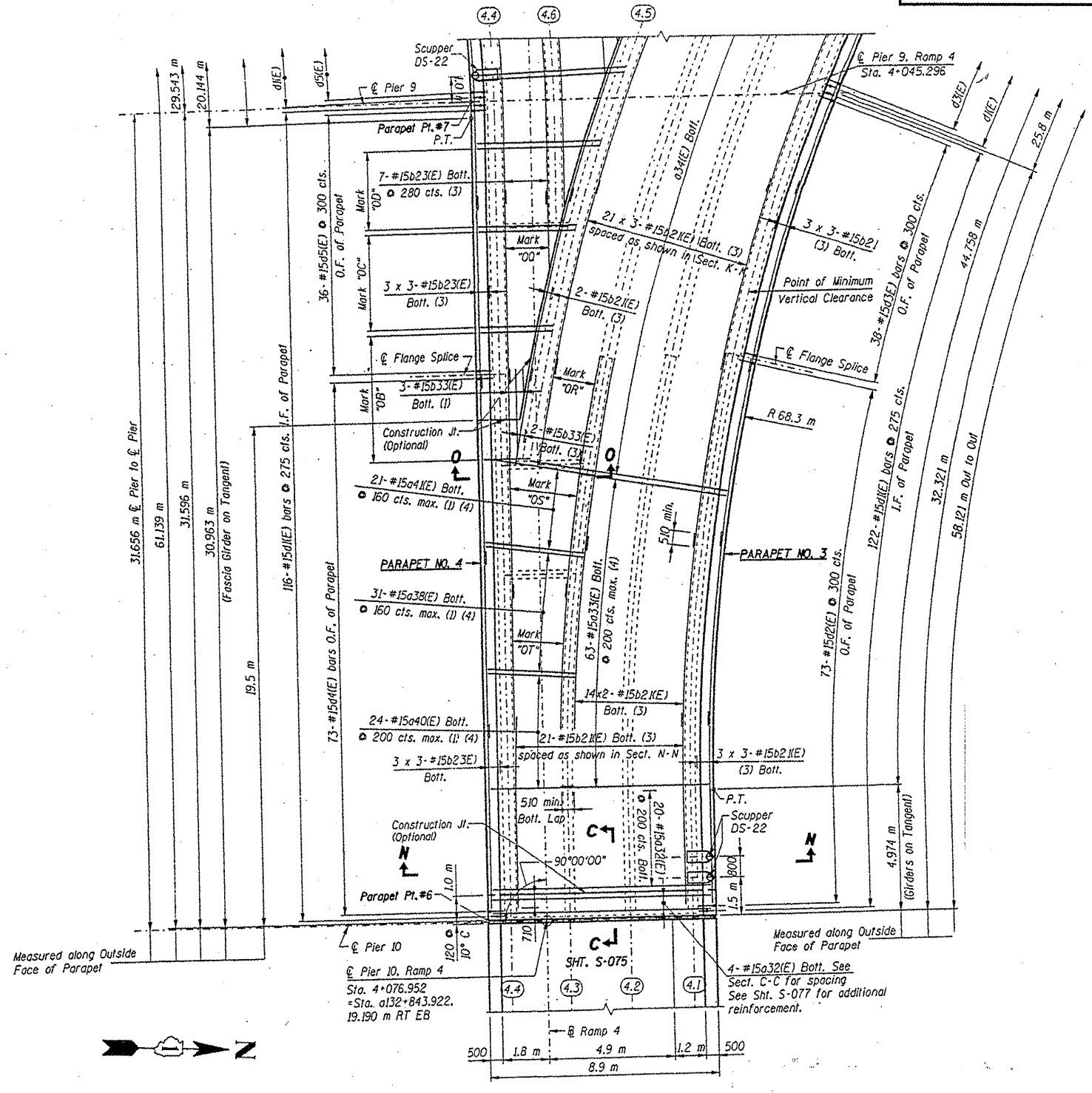
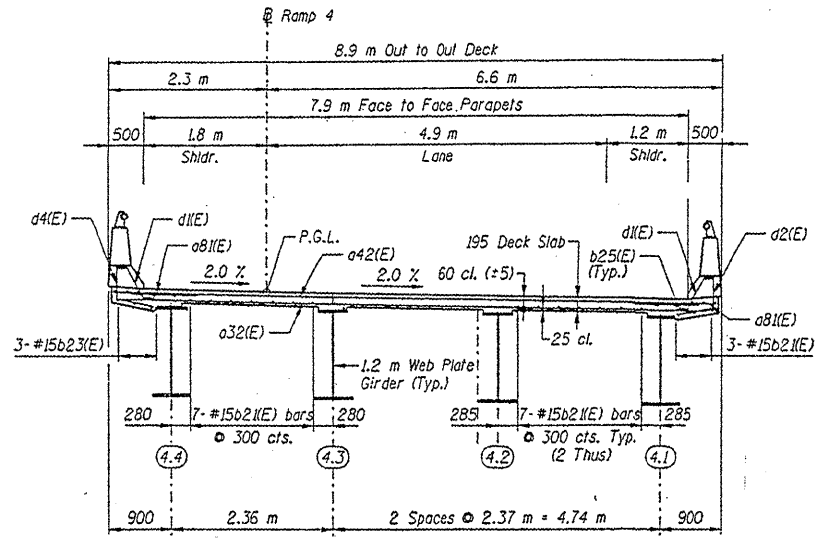


ROUTE FAI 55	SECTION 2011-016-I	COUNTY COOK	TOTAL SHEETS 173	SHEET NUMBER 67
-----------------	-----------------------	----------------	---------------------	--------------------

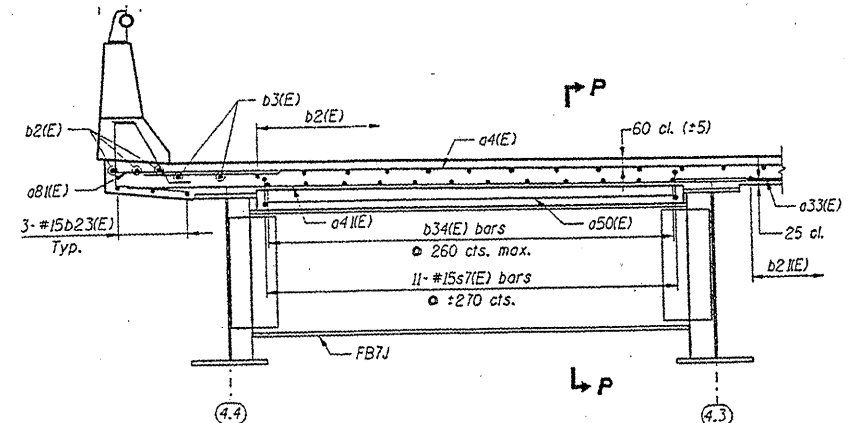
CONTRACT NO. 60P07



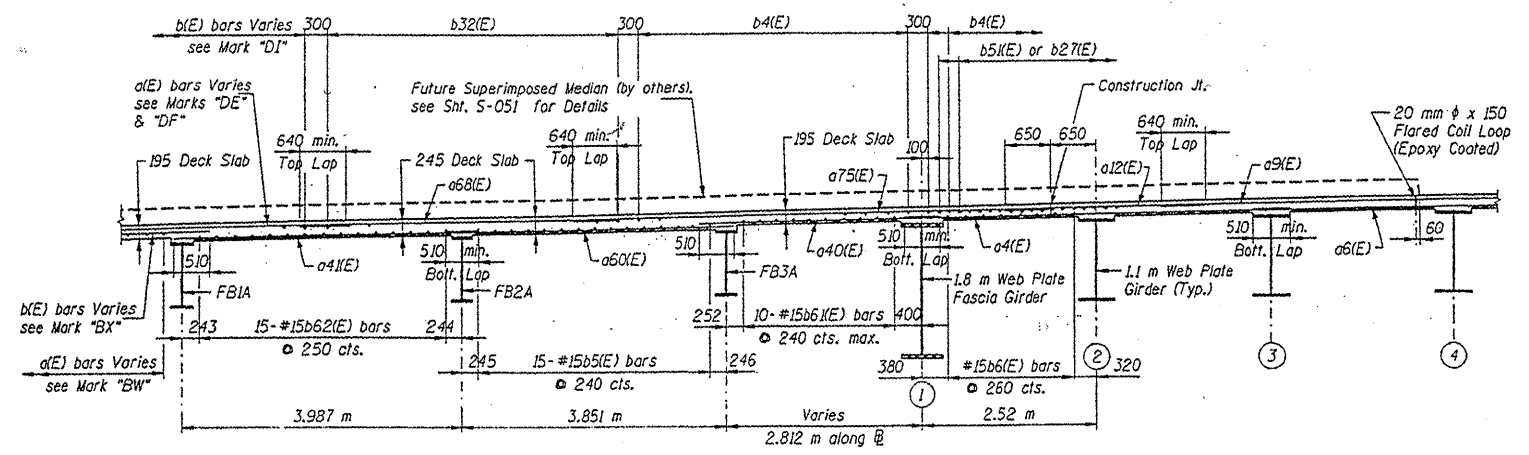
DECK PLAN - RAMP 4 FLARE BOT. BARS - II



DECK CROSS SECTION N-N



DECK CROSS SECTION Q-Q



DECK CROSS SECTION C-C

FOR INFORMATION ONLY

ILLINOIS DEPARTMENT OF
TRANSPORTATION
EXISTING PLANS

LOCATION 15 (SN 016-1009)
(DAMEN AVE)
SHEET 27 OF 34