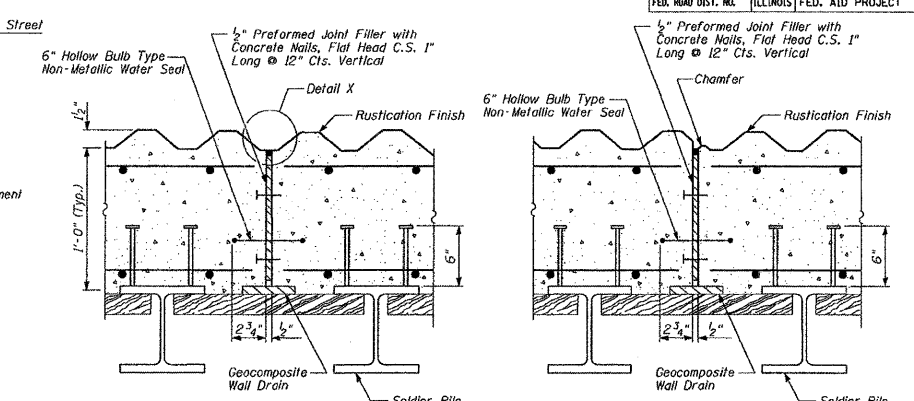
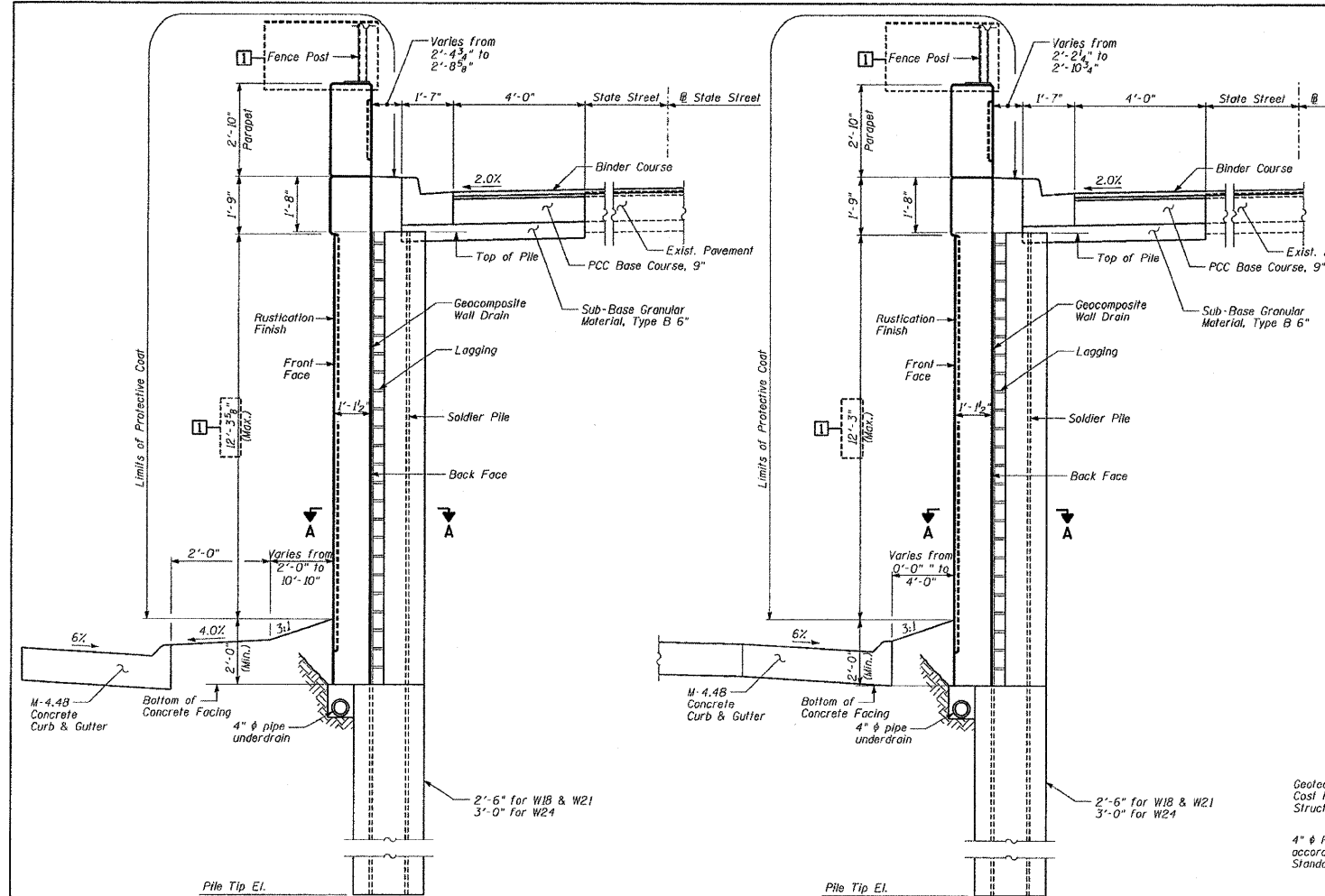
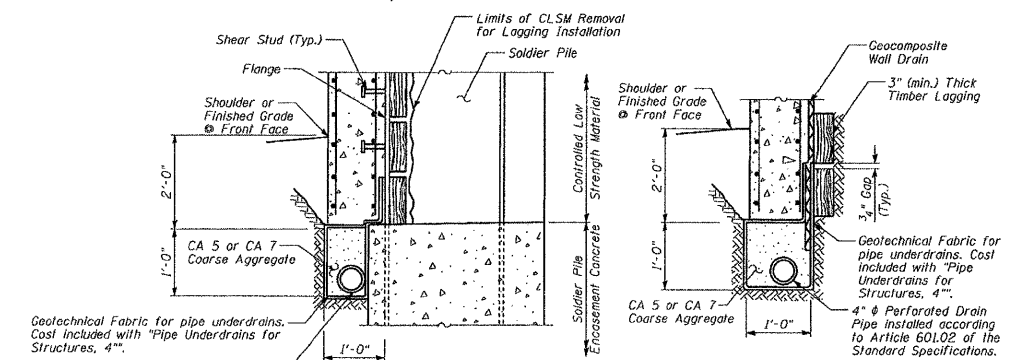


F.A.I. RTE.	SECTION	COUNTY	TOTAL SHEETS	SHEET NO.
94	(1717 & 1818) K	COOK	432	243
STA. 1288+76.55		TO STA. 1312+13.74		
FED. ROAD DIST. NO. ILLINOIS FED. AID PROJECT				



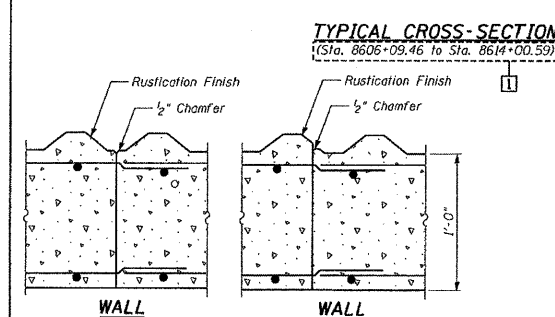
EXPANSION JOINT DETAILS
(Joint in Valley)

EXPANSION JOINT DETAILS
(Joint on Diagonal)



PIPE UNDERDRAIN DETAIL
AT SOLDIER PILE

PIPE UNDERDRAIN DETAIL
BETWEEN SOLDIER PILES



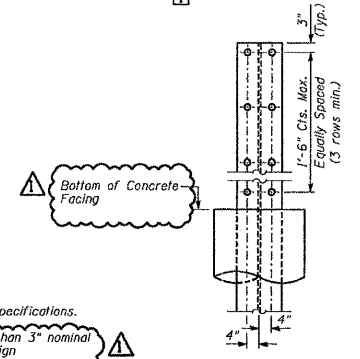
WALL
(Joint in Valley)

WALL
(Joint on Diagonal)

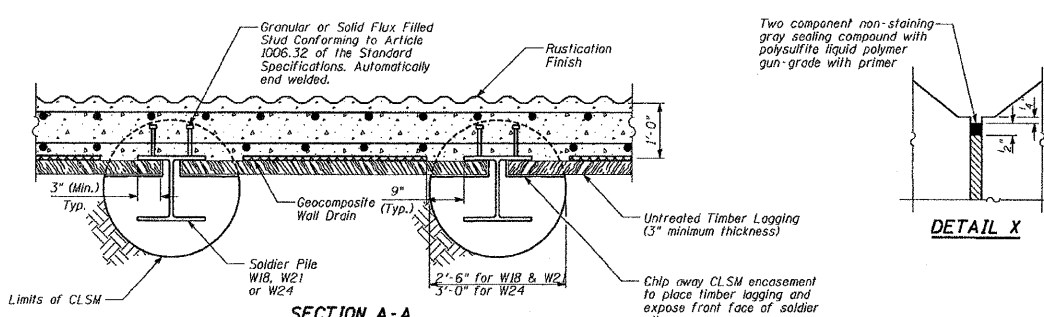
CONSTRUCTION JOINT DETAILS

NOTES:

- The geocomposite wall drain shall be constructed according to section 591 of the standard specifications.
- The Contractor is responsible for the design and performance of the lagging using no less than 3 inch nominal rough-sawn thickness and the minimum tabulated unit stress in bending (f_b), used in the design of timber lagging shall be 1000 psi.
- Stud shear connectors shall be 3/4 inch x 6 inch granular or solid flux filled headed studs, automatically end welded to the front flange of the soldier piles.



SHEAR STUD CONNECTOR DETAIL



SECTION A-A

DETAIL X

BILL OF MATERIAL

ITEM	UNIT	TOTAL
Stud Shear Connectors	EACH	4,676
Untreated Timber Lagging	SO FT	19,078
Geocomposite Wall Drain	SO YD	2,120
Pipe Underdrains for Structures, 4"	FOOT	1,740

REVISIONS	
NAME	DATE

ILLINOIS DEPARTMENT OF TRANSPORTATION
F.A.I. 94 (DAN RYAN EXPRESSWAY)
SECTION (1717 & 1818) K COOK COUNTY
RETAINING WALL ALONG STATE STREET
WALL CROSS SECTIONS & DETAILS
S.N. 016-W937 DESIGNED BY: MI
SCALE: N.T.S. DRAWN BY: DJR
DATE: OCT 24, 2003 CHECKED BY: TD

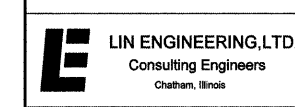
TYLIN INTERNATIONAL

SHEET 18 OF 36

.../C12/Wall 09/rt12DRsh163a_9.dgn 3/9/2011 12:53:52 PM

FOR INFORMATION ONLY

(Sheet 1 of 2)



USER NAME =	DESIGNED - MTH	REVISED -
FILE NAME =	CHECKED - ADB	REVISED -
PLOT SCALE =	DRAWN - AJF	REVISED -
PLOT DATE =	CHECKED - MTH	REVISED -

STATE OF ILLINOIS
DEPARTMENT OF TRANSPORTATION

CONCRETE RUSTICATION DETAILS

F.A.I. RTE.	SECTION	COUNTY	TOTAL SHEETS	SHEET NO.
90/94	2011-021-L	COOK	19	11
CONTRACT NO. 60P16				
ILLINOIS FED. AID PROJECT				