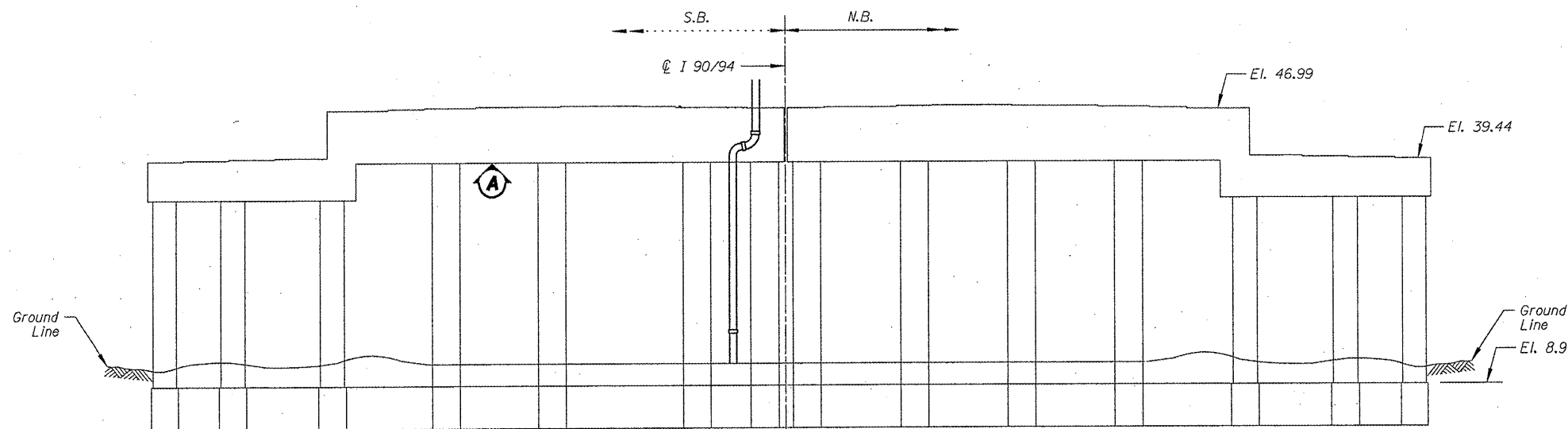
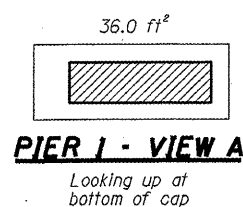
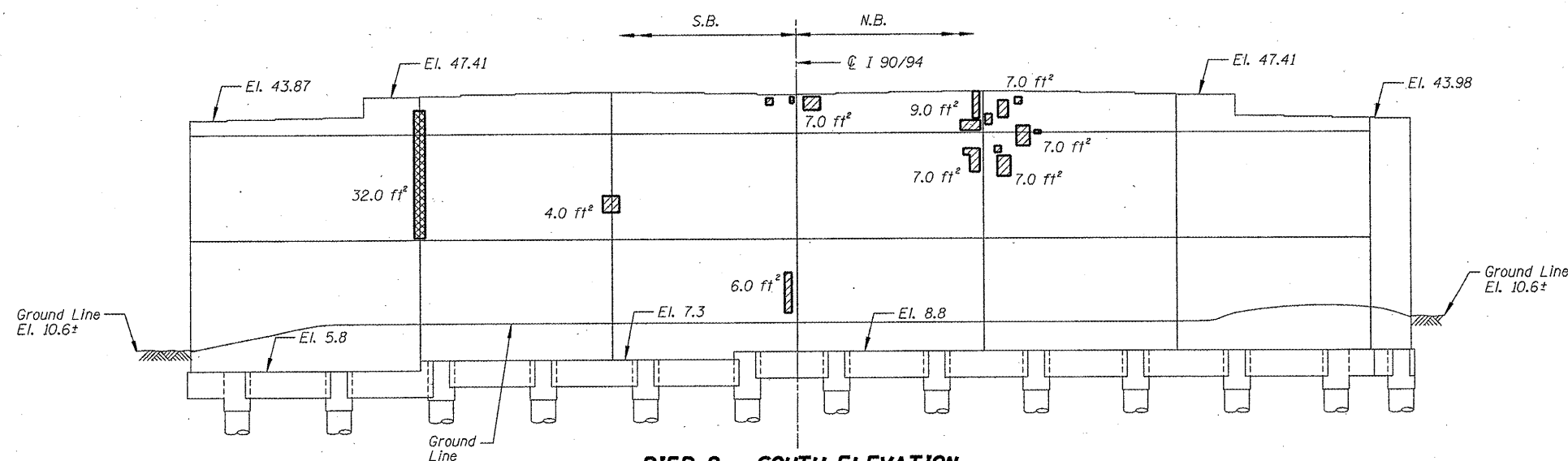


ROUTE	SECTION	COUNTY	TOTAL SHEETS	SHEET NUMBER
FAI 90/94	2011-027-I	COOK	87	28

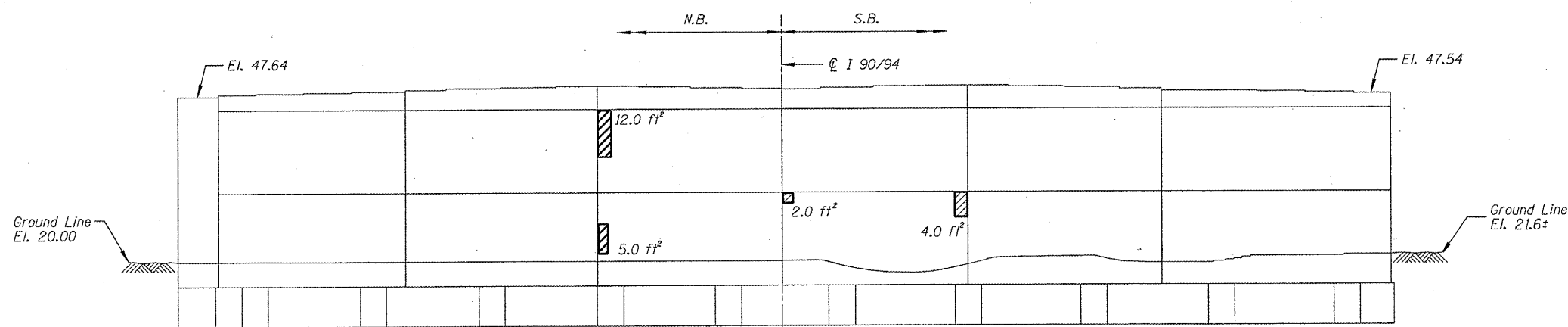
CONTRACT NO. 60P27



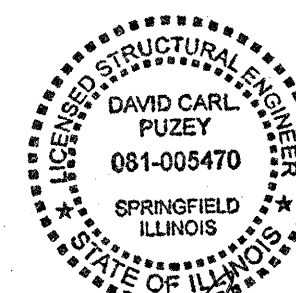
**PIER 1 - SOUTH ELEVATION**  
(Looking North)



**PIER 2 - SOUTH ELEVATION**  
(Looking North)



**PIER 3 - NORTH ELEVATION**  
(Looking South)



*David Carl Puzey 5/13/11*  
*Expires 11/30/2012*

- Structural Repair of Concrete (Depth equal to or less than 5")
- Structural Repair of Concrete (Depth greater than 5")

**BILL OF MATERIAL**

ITEM	UNIT	QUANTITY
Structural Repair of Concrete (Depth equal to or less than 5")	SQ. FT.	113.0
Structural Repair of Concrete (Depth greater than 5")	SQ. FT.	32.0

ILLINOIS DEPARTMENT OF  
TRANSPORTATION  
I-90/94 (DAN RYAN EXPRESSWAY)  
SUBSTRUCTURE REPAIRS  
SN 016-1110  
PIERS 1, 2, & 3