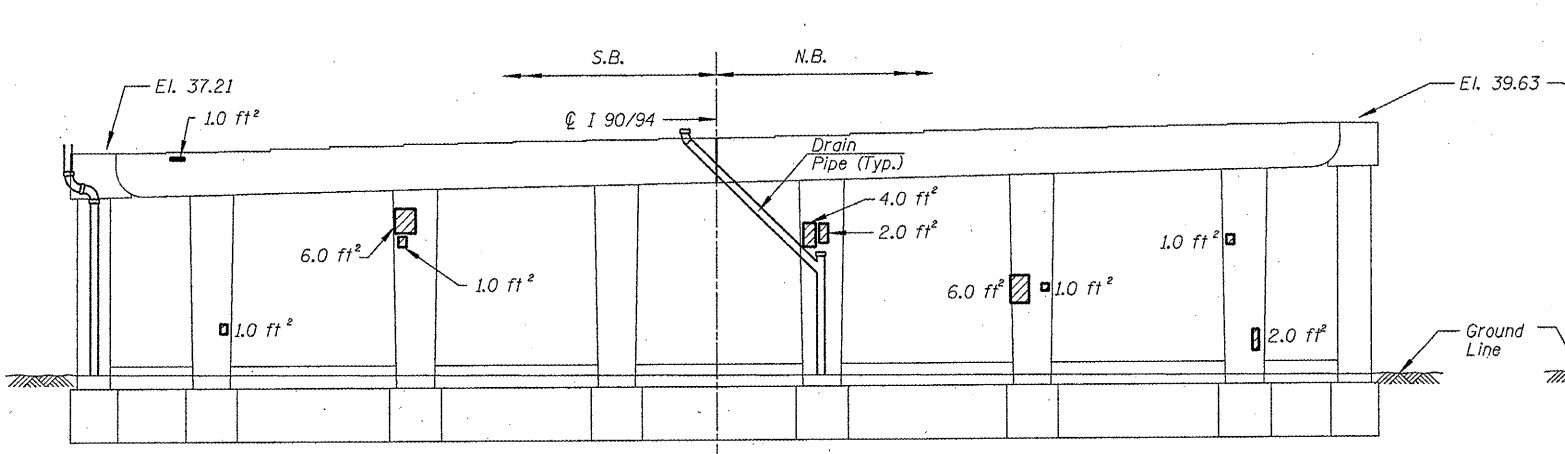
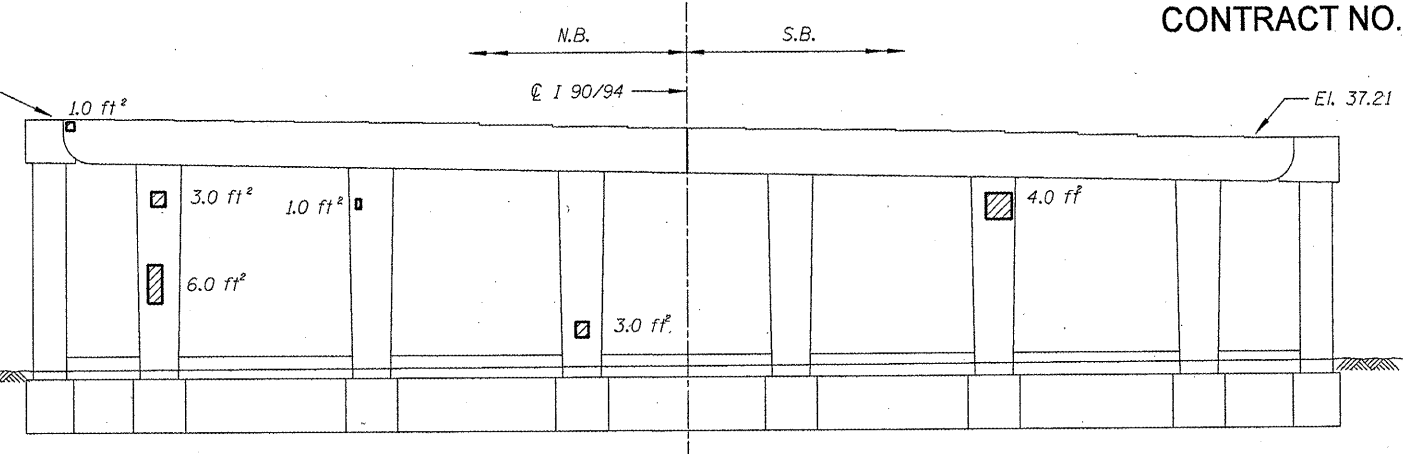


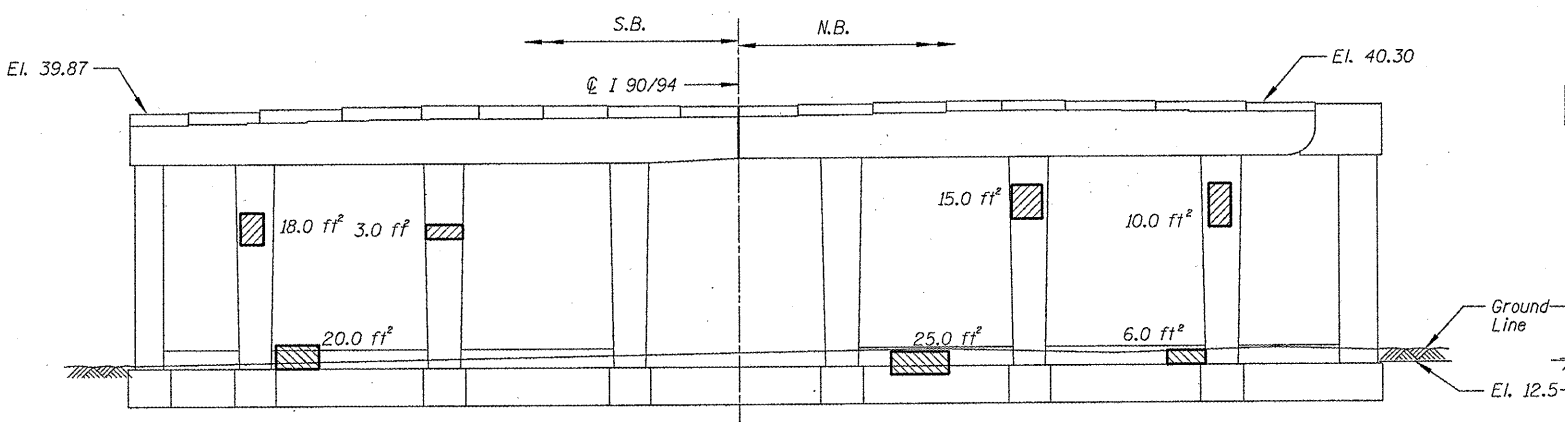
CONTRACT NO. 60P27



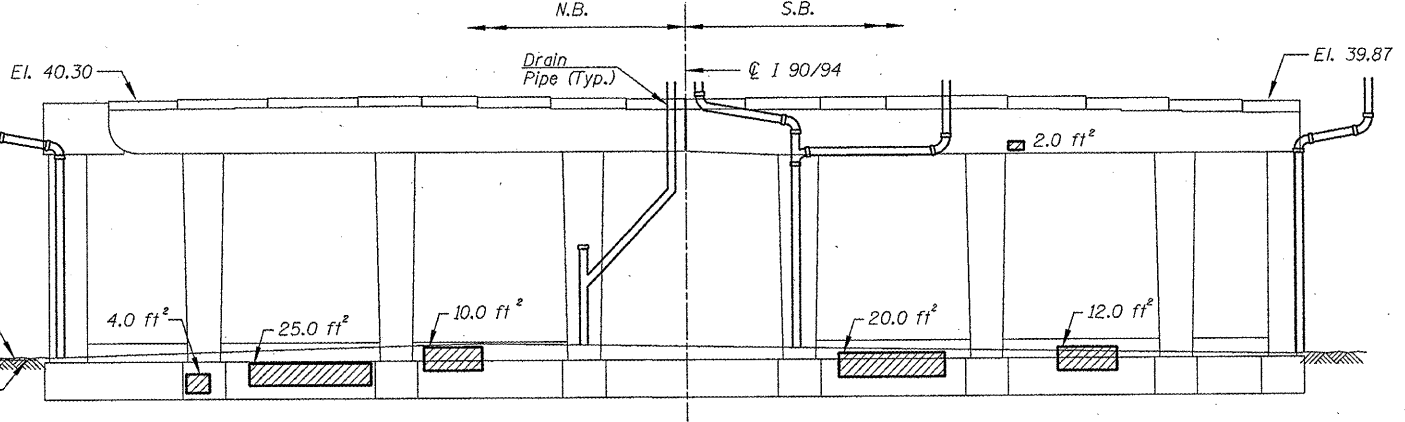
PIER 1 - SOUTH ELEVATION
(Looking North)



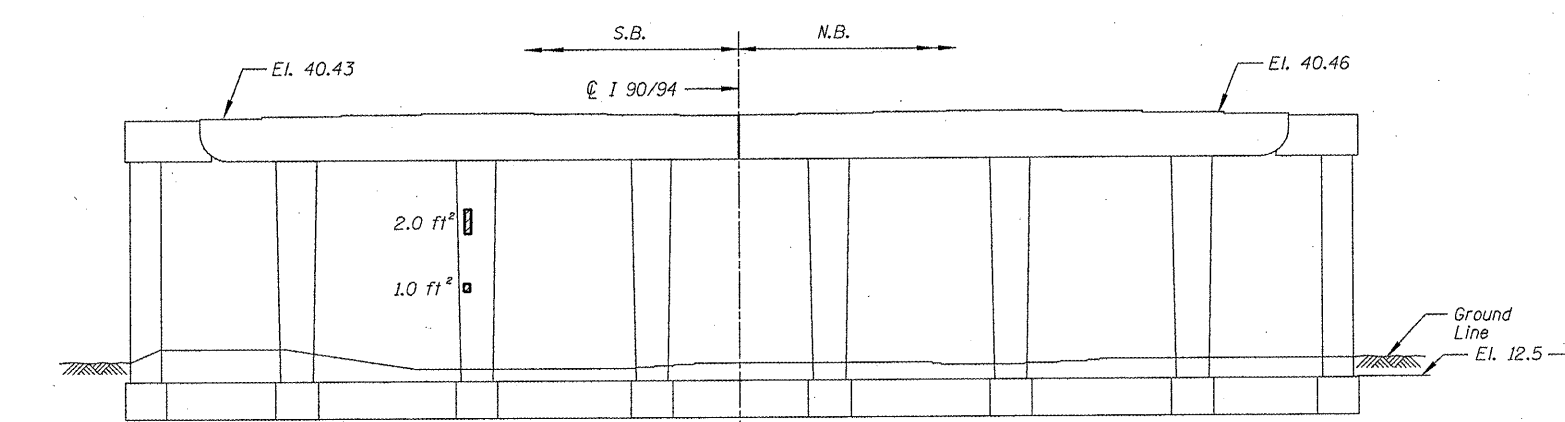
PIER 1 - NORTH ELEVATION
(Looking South)



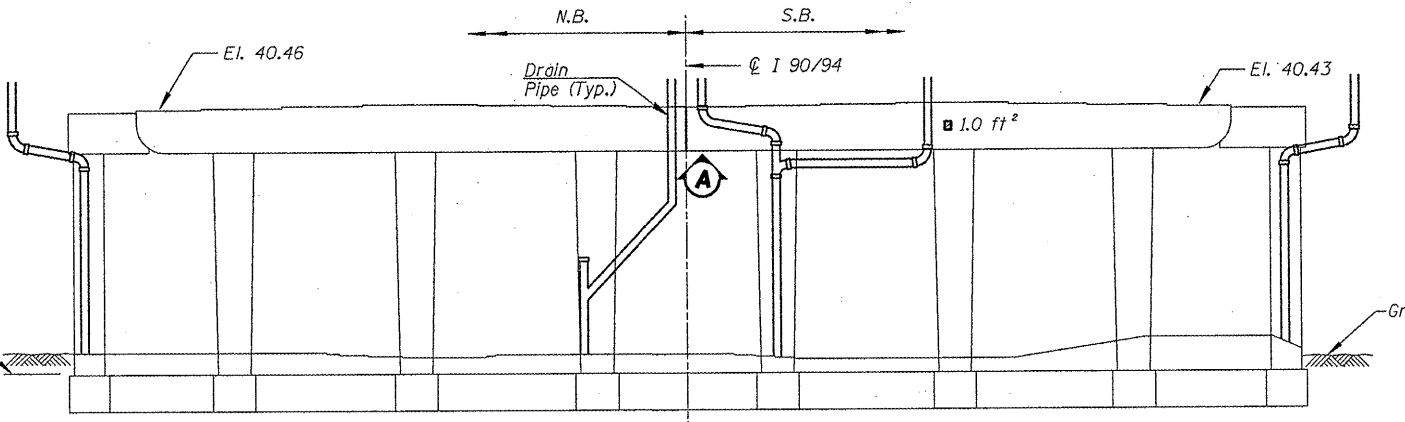
PIER 2 - SOUTH ELEVATION
(Looking North)



PIER 2 - NORTH ELEVATION
(Looking South)



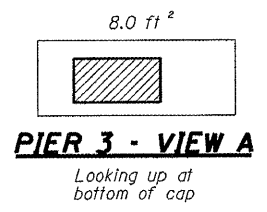
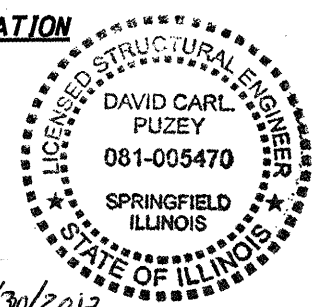
PIER 3 - SOUTH ELEVATION
(Looking North)



PIER 3 - NORTH ELEVATION
(Looking South)

▨ - Structural Repair of Concrete (Depth equal to or less than 5")

David Carl Puzey
5/13/11 Expires 11/30/2012



BILL OF MATERIAL

ITEM	UNIT	QUANTITY
Structural Repair of Concrete (Depth equal to or less than 5")	SQ. FT.	225.0

ILLINOIS DEPARTMENT OF TRANSPORTATION
I-90/94 (DAN RYAN EXPRESSWAY)
SUBSTRUCTURE REPAIRS
SN 016-1111
PIERS 1, 2, & 3