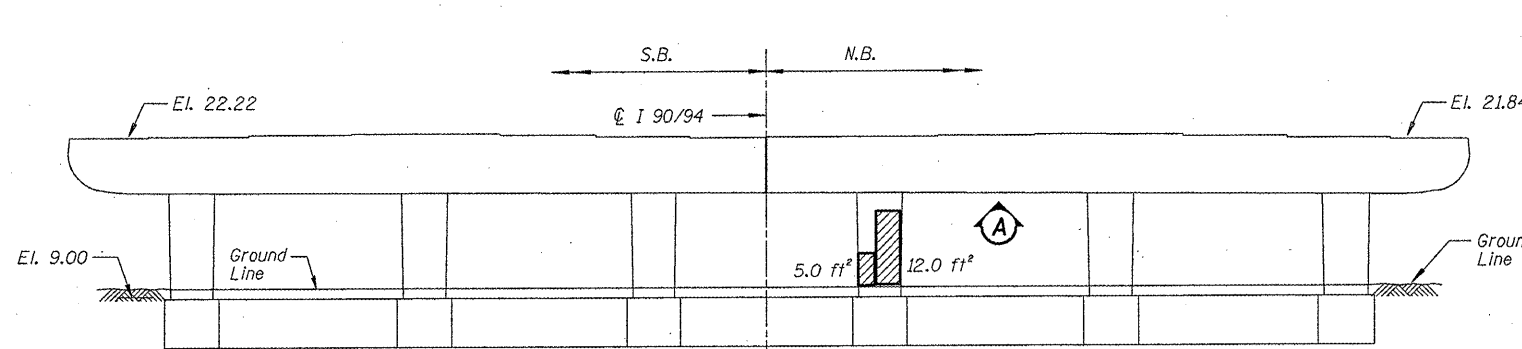
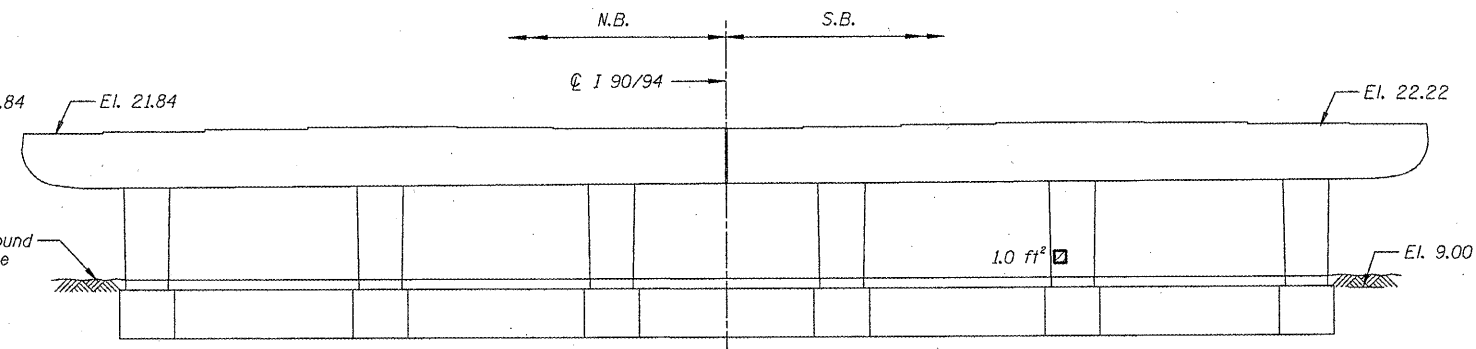


ROUTE FAI 90/94	SECTION 2011-027-I	COUNTY COOK	TOTAL SHEETS 87	SHEET NUMBER 36
--------------------	-----------------------	----------------	--------------------	--------------------

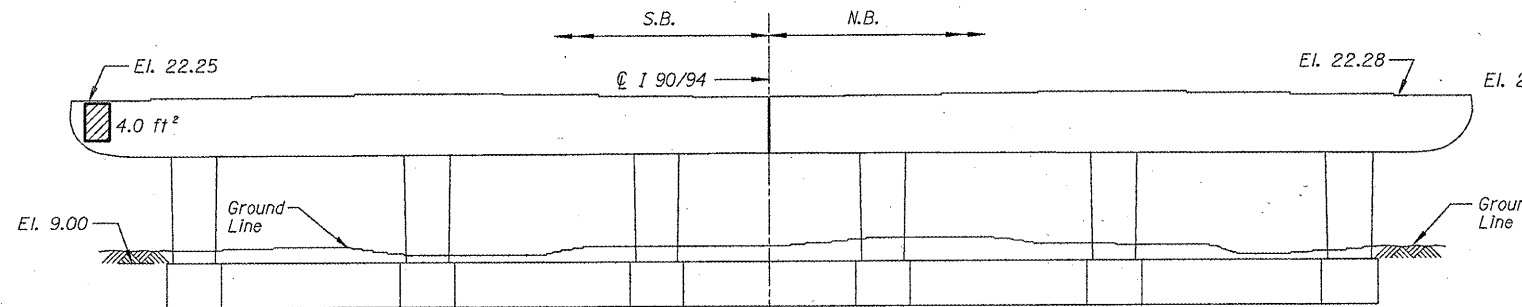
CONTRACT NO. 60P27



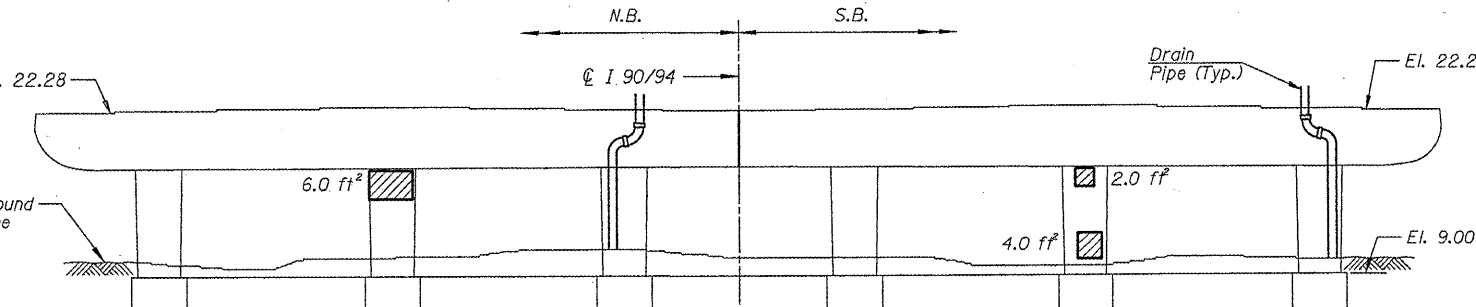
PIER 16 - SOUTH ELEVATION
(Looking North)



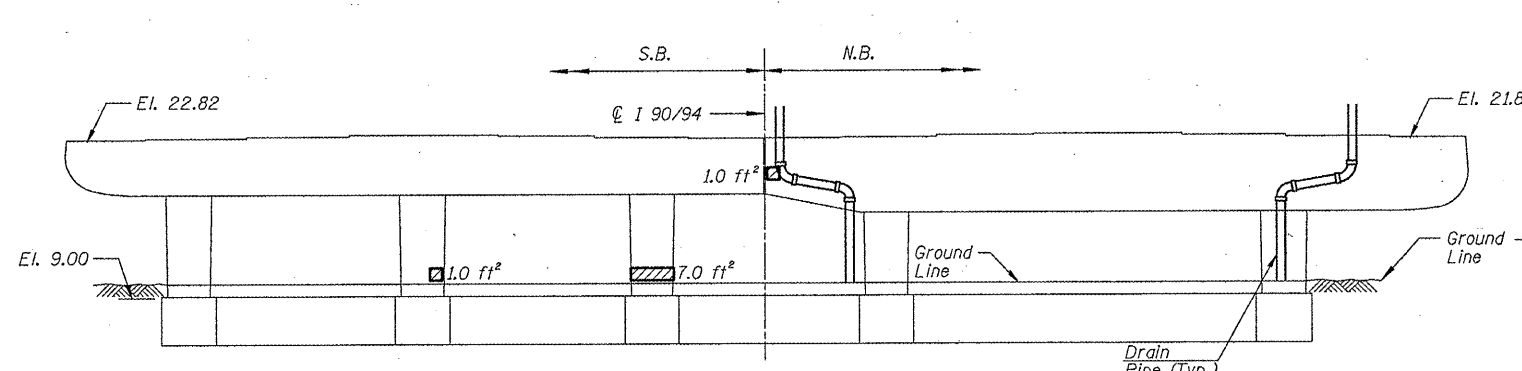
PIER 16 - NORTH ELEVATION
(Looking South)



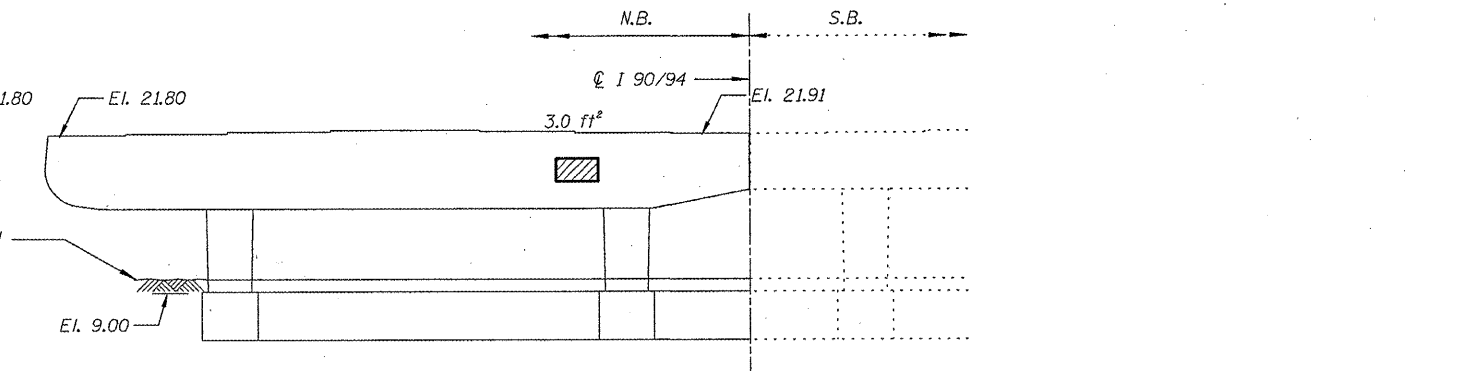
PIER 17 - SOUTH ELEVATION
(Looking North)



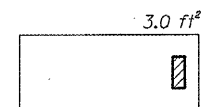
PIER 17 - NORTH ELEVATION
(Looking South)



PIER 18 - SOUTH ELEVATION
(Looking North)



PIER 18 - NORTH ELEVATION
(Looking South)



PIER 16 - VIEW A
Looking up at bottom of cap

BILL OF MATERIAL

ITEM	UNIT	QUANTITY
Structural Repair of Concrete (Depth equal to or less than 5")	SO. FT.	49.0

- Structural Repair of Concrete (Depth equal to or less than 5")

ILLINOIS DEPARTMENT OF
TRANSPORTATION
I-90/94 (DAN RYAN EXPRESSWAY)
SUBSTRUCTURE REPAIRS
SN 016-1112
PIERS 16, 17, & 18