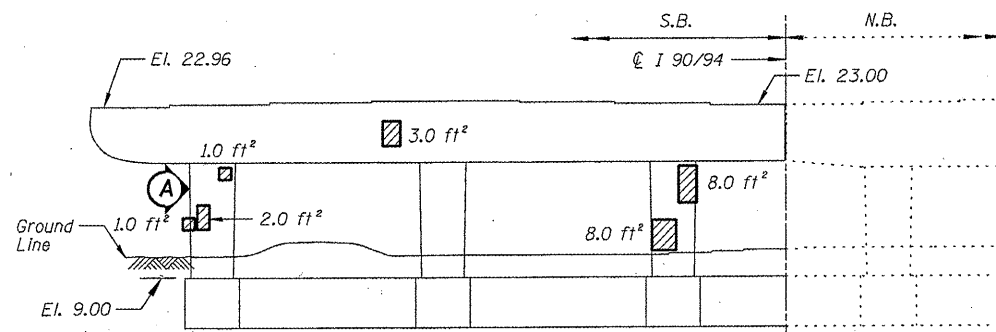
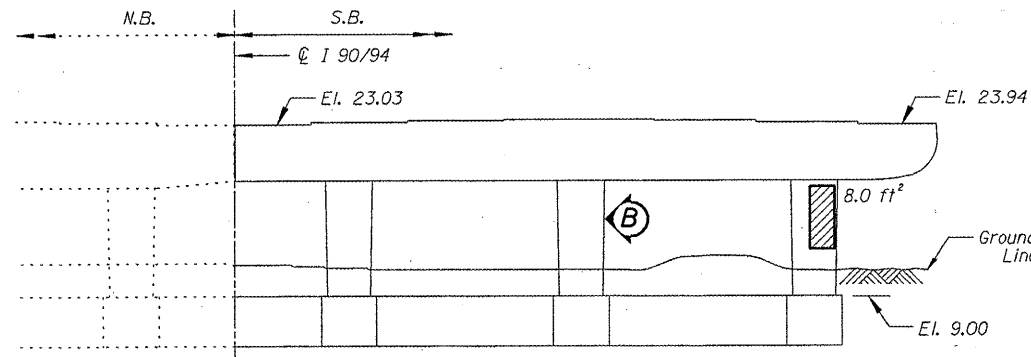


ROUTE	SECTION	COUNTY	TOTAL SHEETS	SHEET NUMBER
FAI 90/94	2011-027-I	COOK	87	37

CONTRACT NO. 60P27



**PIER 19 - SOUTH ELEVATION**  
(Looking North)

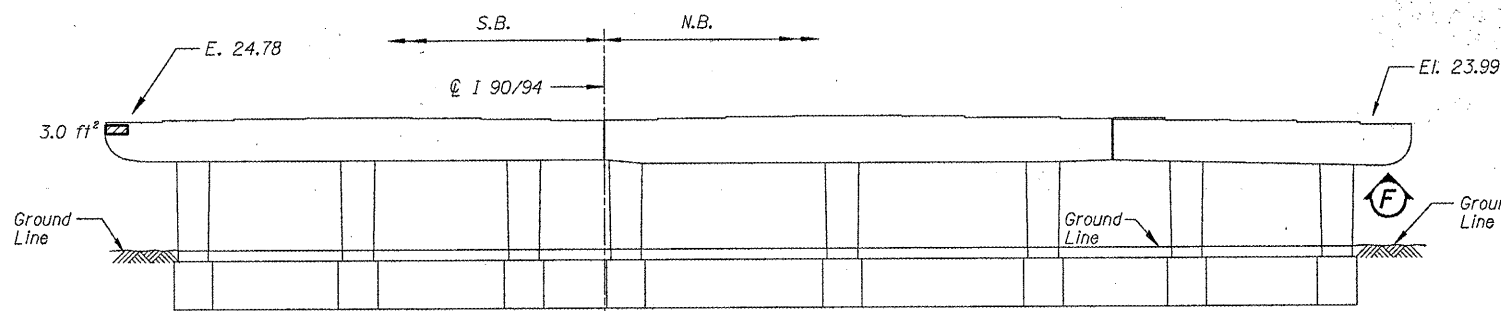


**PIER 19 - NORTH ELEVATION**  
(Looking South)

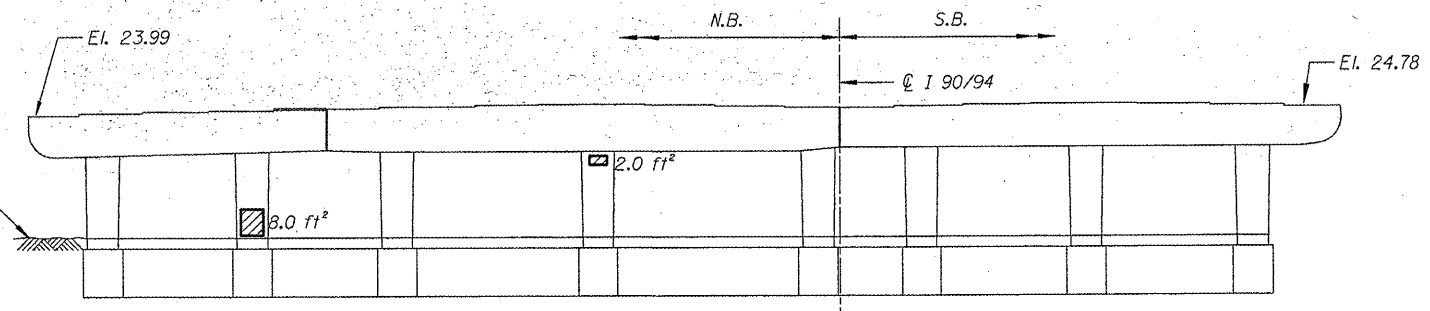
**BILL OF MATERIAL**

ITEM	UNIT	QUANTITY
Structural Repair of Concrete (Depth equal to or less than 5")	SQ. FT.	84.0

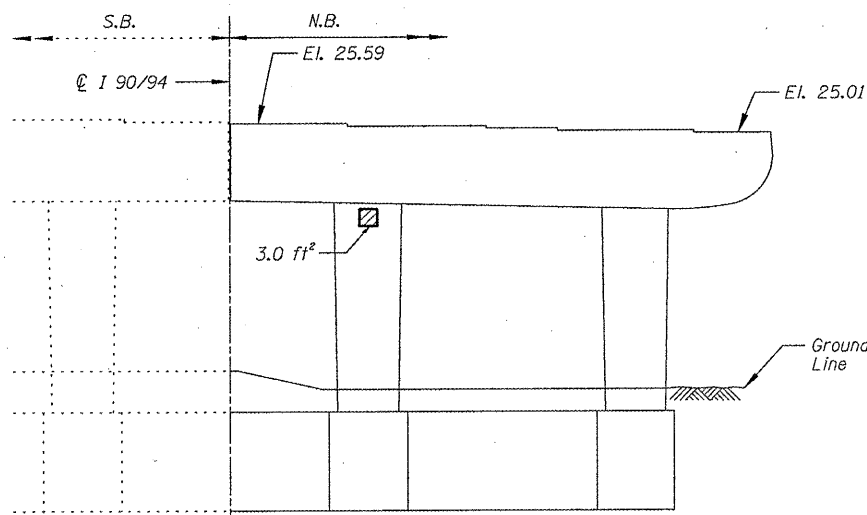
▨ - Structural Repair of Concrete (Depth equal to or less than 5")



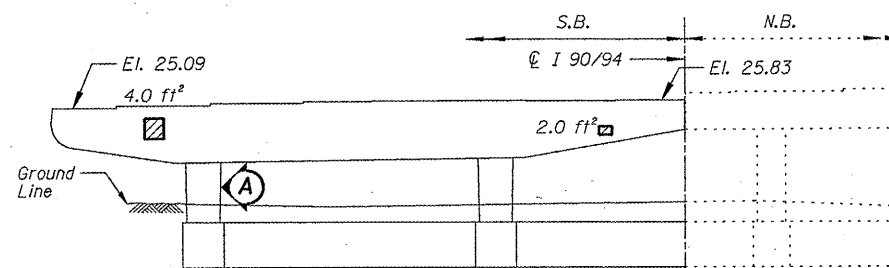
**PIER 20 - SOUTH ELEVATION**  
(Looking North)



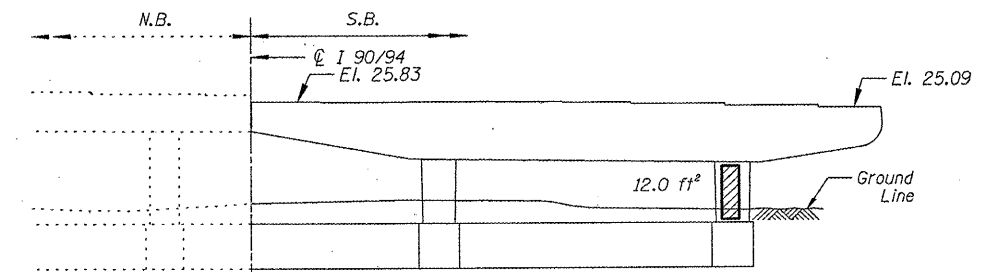
**PIER 20 - NORTH ELEVATION**  
(Looking South)



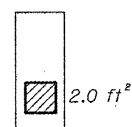
**PIER 21 - SOUTH ELEVATION**  
(Looking North)



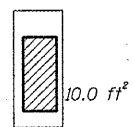
**PIER 22 - SOUTH ELEVATION**  
(Looking North)



**PIER 22 - NORTH ELEVATION**  
(Looking South)



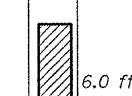
**PIER 19- VIEW A**  
Looking East at side of column



**PIER 19- VIEW B**  
Looking East at side of column



**PIER 20 - VIEW F**  
Looking up at bottom of cap



**PIER 22- VIEW A**  
Looking West at side of column

ILLINOIS DEPARTMENT OF  
TRANSPORTATION

I-90/94 (DAN RYAN EXPRESSWAY)  
SUBSTRUCTURE REPAIRS  
SN 016-1112  
PIERS 19 - 22