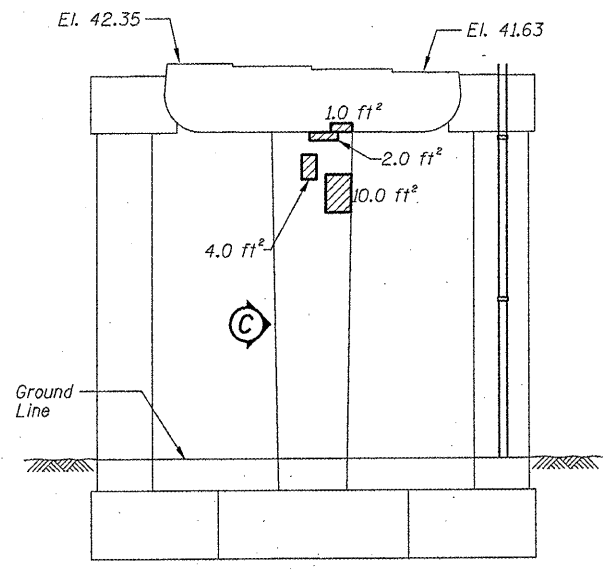
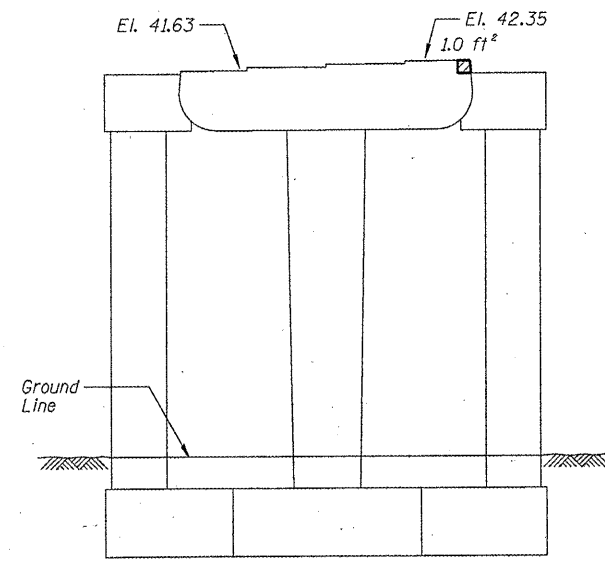


ROUTE FAI 90/94	SECTION 2011-027-1	COUNTY COOK	TOTAL SHEETS 87	SHEET NUMBER 42
--------------------	-----------------------	----------------	--------------------	--------------------

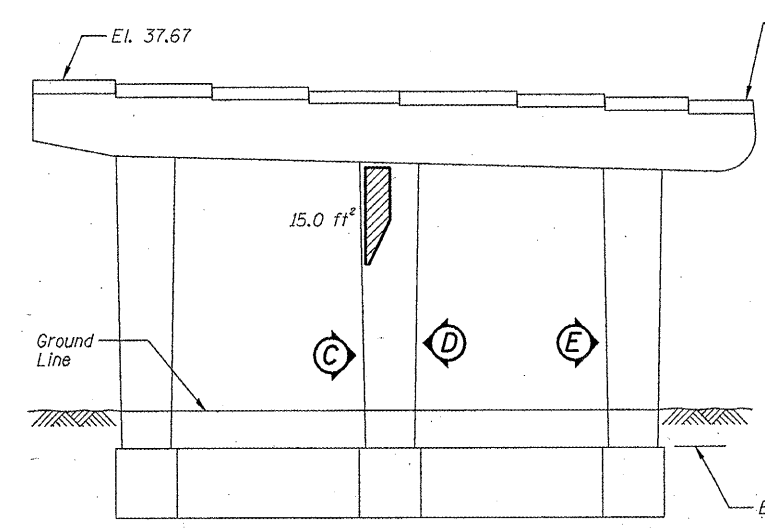
CONTRACT NO. 60P27



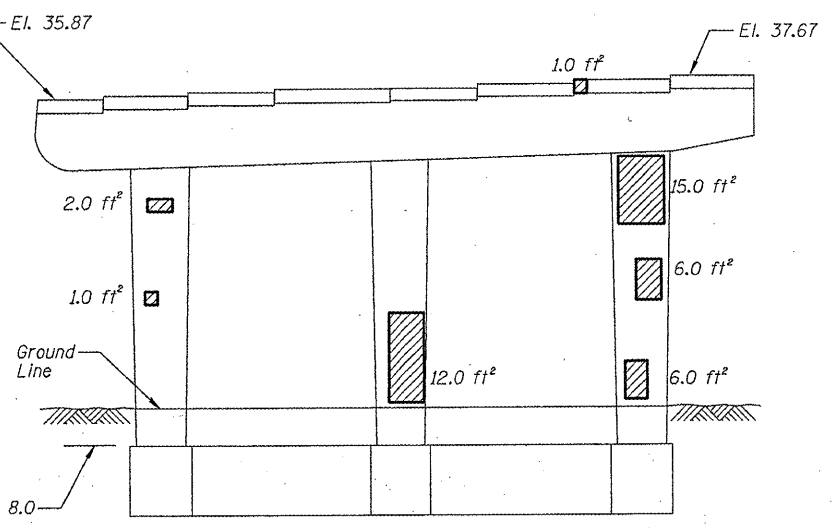
PIER D-7 - SOUTH ELEVATION
(Looking North)



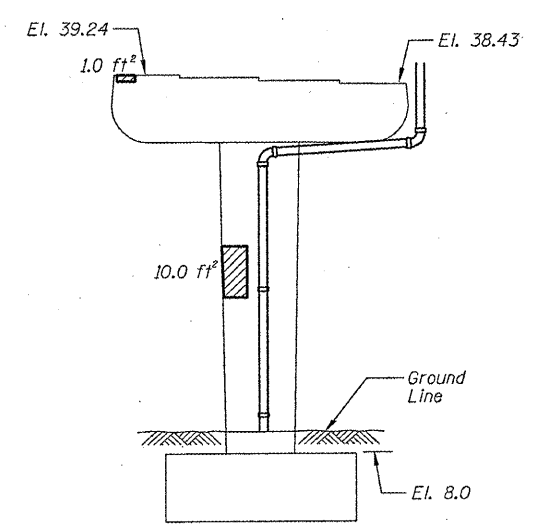
PIER D-7 - NORTH ELEVATION
(Looking South)



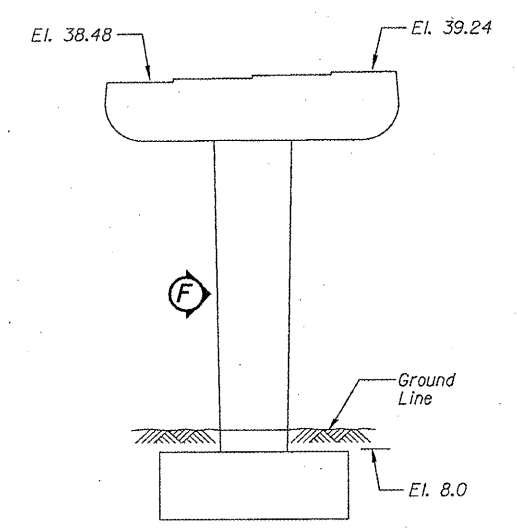
PIER D-9 - SOUTH ELEVATION
(Looking North)



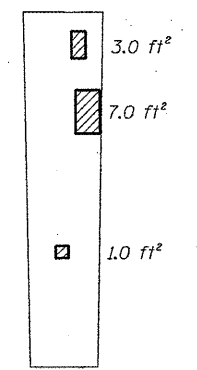
PIER D-9 - NORTH ELEVATION
(Looking South)



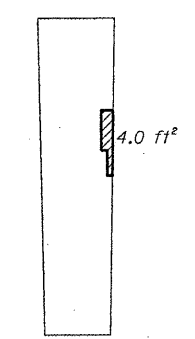
PIER D-8 - SOUTH ELEVATION
(Looking North)



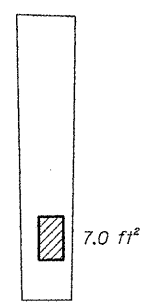
PIER D-8 - NORTH ELEVATION
(Looking South)



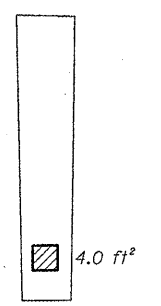
PIER D-7 - VIEW C
Looking East at side of column



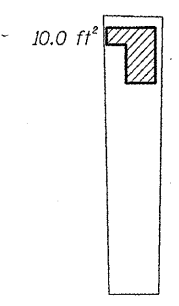
PIER D-8 - VIEW F
Looking West at side of column



PIER D-9 - VIEW C
Looking East at side of column



PIER D-9 - VIEW D
Looking West at side of column



PIER D-9 - VIEW E
Looking East at side of column

BILL OF MATERIAL

ITEM	UNIT	QUANTITY
Structural Repair of Concrete (Depth equal to or less than 5")	SQ. FT.	123.0

▨ - Structural Repair of Concrete (Depth equal to or less than 5")



David Carl Puzey 5/13/11
Expires 11/30/2012

ILLINOIS DEPARTMENT OF
TRANSPORTATION
I-90/94 (DAN RYAN EXPRESSWAY)
SUBSTRUCTURE REPAIRS
SN 016-1113
PIERS D-7, D-8, & D-9