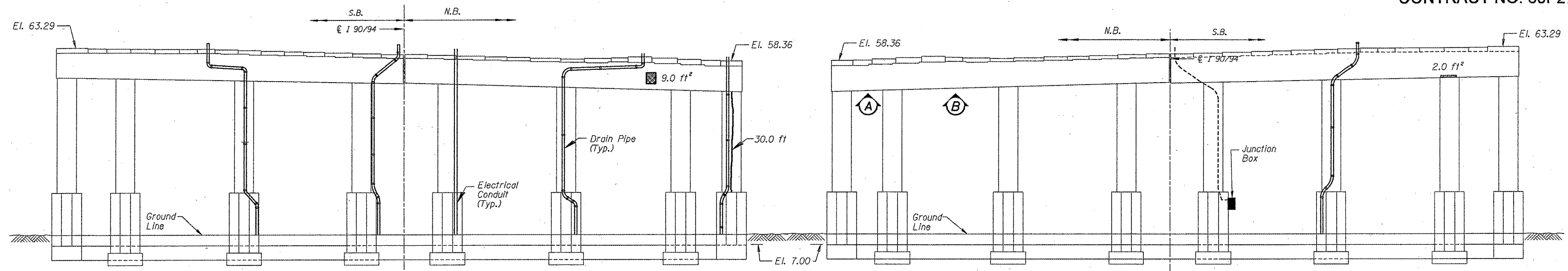


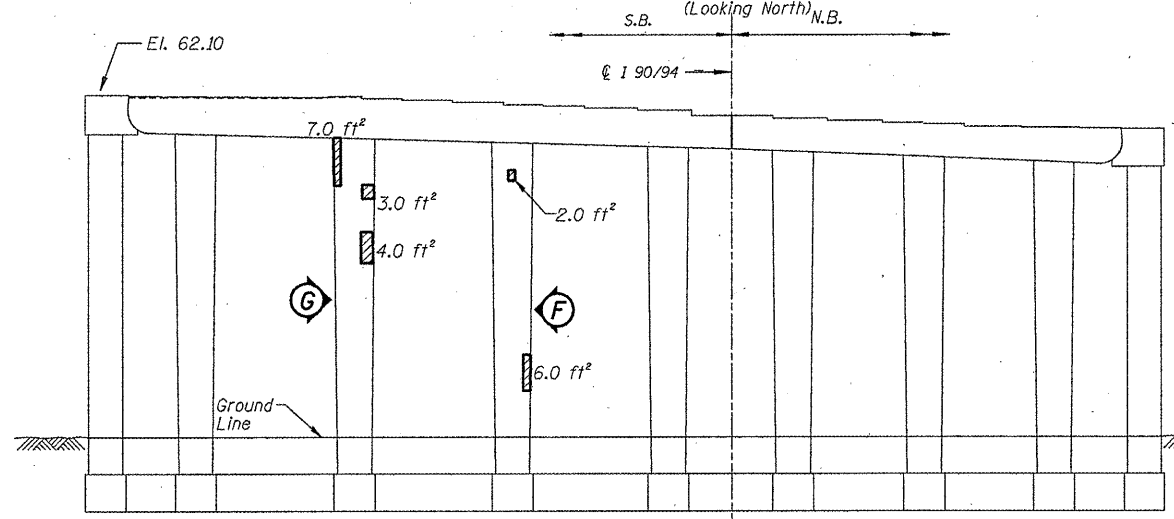
ROUTE FAI 90/94	SECTION 2011-027-I	COUNTY COOK	TOTAL SHEETS 87	SHEET NUMBER 45
--------------------	-----------------------	----------------	--------------------	--------------------

CONTRACT NO. 60P27

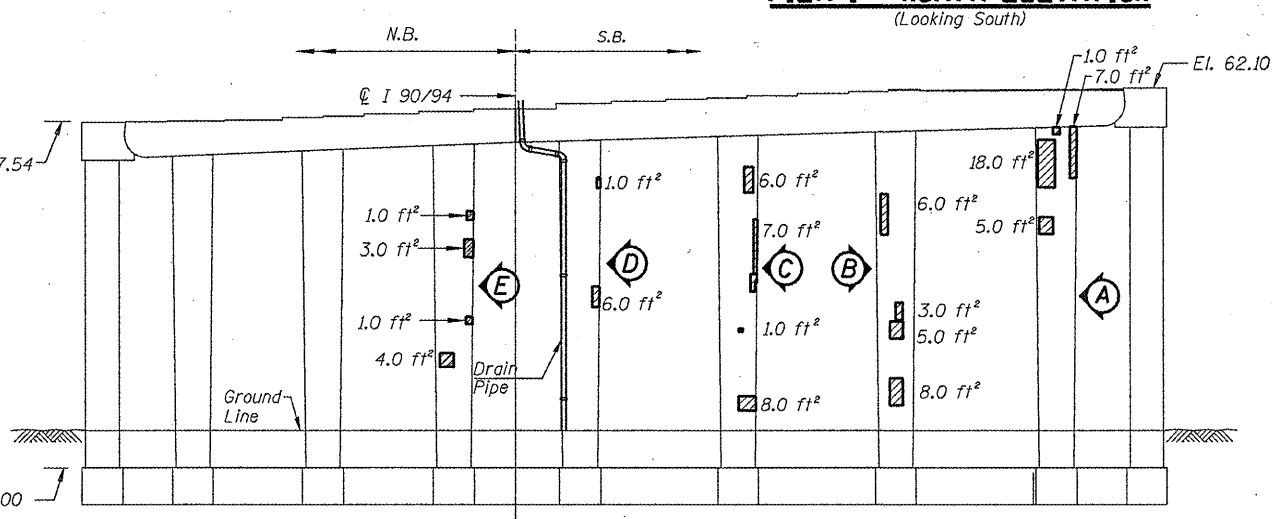


**PIER 1 - SOUTH ELEVATION**  
(Looking North)

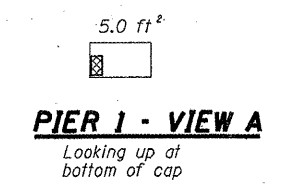
**PIER 1 - NORTH ELEVATION**  
(Looking South)



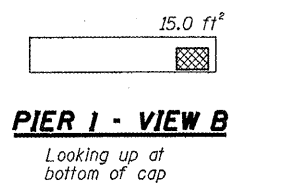
**PIER 2 - SOUTH ELEVATION**  
(Looking North)



**PIER 2 - NORTH ELEVATION**  
(Looking South)



**PIER 1 - VIEW A**  
Looking up at bottom of cap

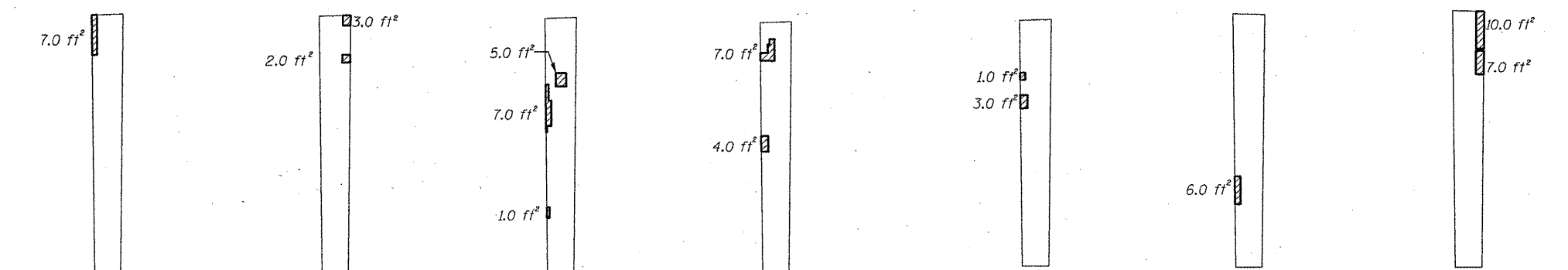


**PIER 1 - VIEW B**  
Looking up at bottom of cap

- Structural Repair of Concrete (Depth equal to or less than 5")
- Structural Repair of Concrete (Depth greater than 5")

**BILL OF MATERIAL**

ITEM	UNIT	QUANTITY
Structural Repair of Concrete (Depth equal to or less than 5")	SQ. FT.	178.0
Structural Repair of Concrete (Depth greater than 5")	SQ. FT.	29.0



**PIER 2 - VIEW A** Looking East at side of column  
**PIER 2 - VIEW B** Looking West at side of column  
**PIER 2 - VIEW C** Looking East at side of column  
**PIER 2 - VIEW D** Looking East at side of column  
**PIER 2 - VIEW E** Looking East at side of column  
**PIER 2 - VIEW F** Looking West at side of column  
**PIER 2 - VIEW G** Looking East at side of column

ILLINOIS DEPARTMENT OF  
TRANSPORTATION  
  
I-90/94 (DAN RYAN EXPRESSWAY)  
SUBSTRUCTURE REPAIRS  
SN 016-1113  
PIERS 1 & 2