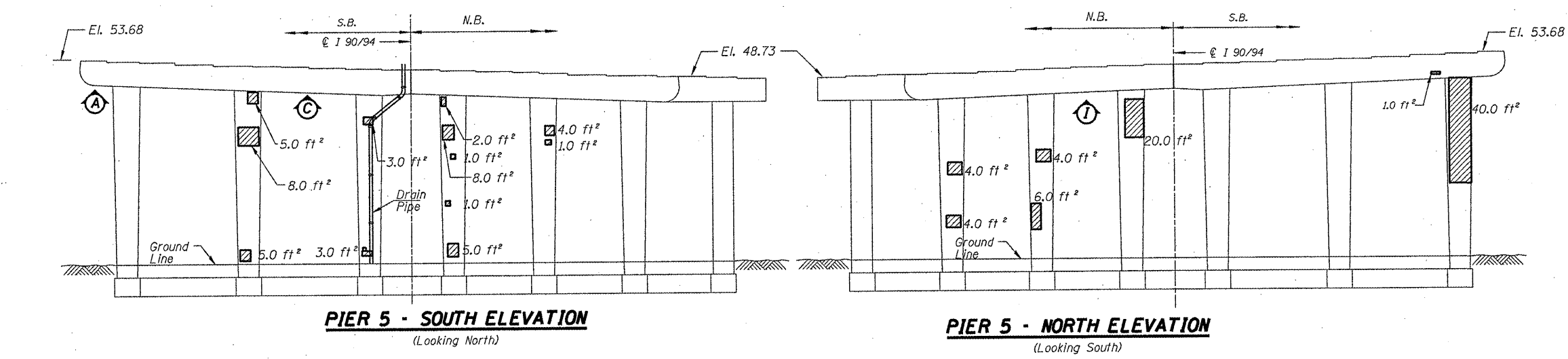
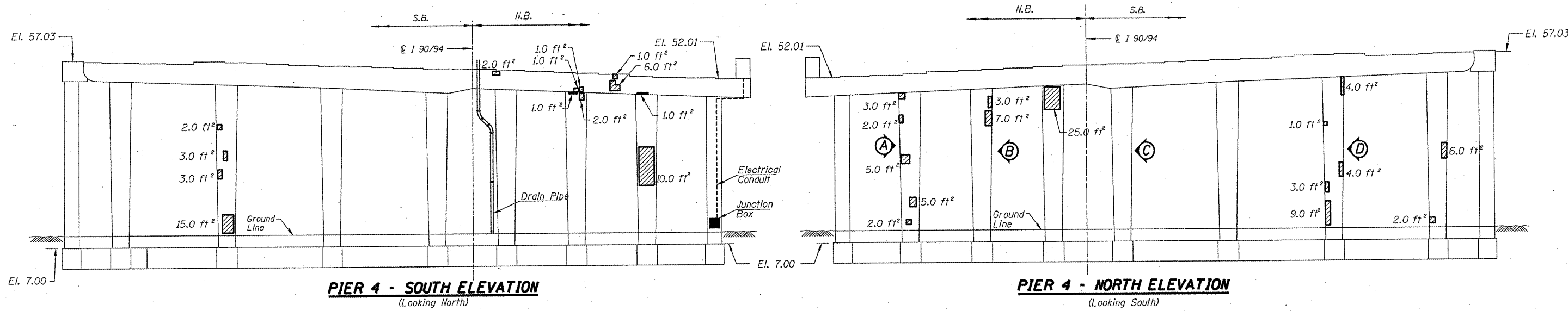


ROUTE	SECTION	COUNTY	TOTAL SHEETS	SHEET NUMBER
FAI 90/94	2011-027-I	COOK	87	46

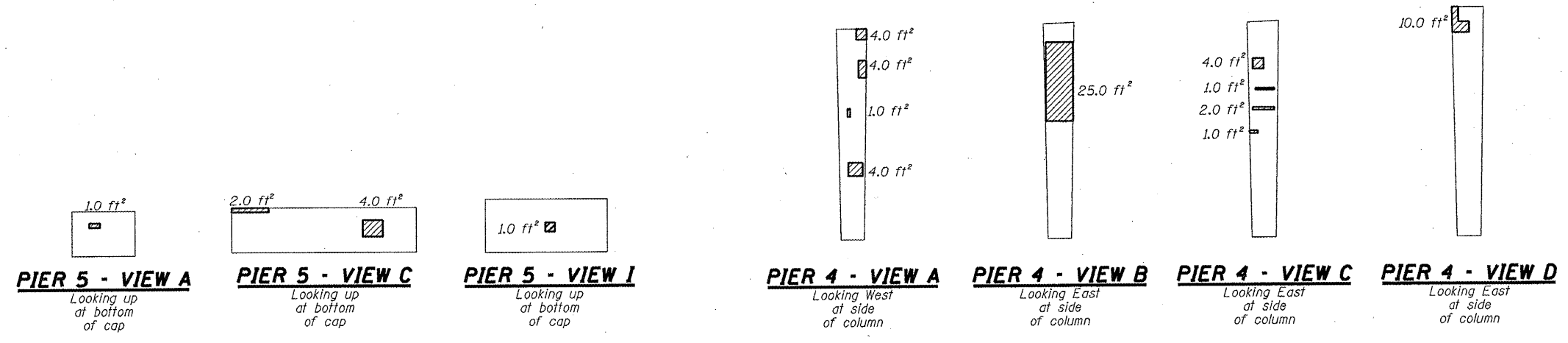
CONTRACT NO. 60P27



▨ - Structural Repair of Concrete (Depth equal to or less than 5")

**BILL OF MATERIAL**

ITEM	UNIT	QUANTITY
Structural Repair of Concrete (Depth equal to or less than 5")	SQ. FT.	318.0



ILLINOIS DEPARTMENT OF TRANSPORTATION  
 I-90/94 (DAN RYAN EXPRESSWAY)  
 SUBSTRUCTURE REPAIRS  
 SN 016-1113  
 PIERS 4 & 5