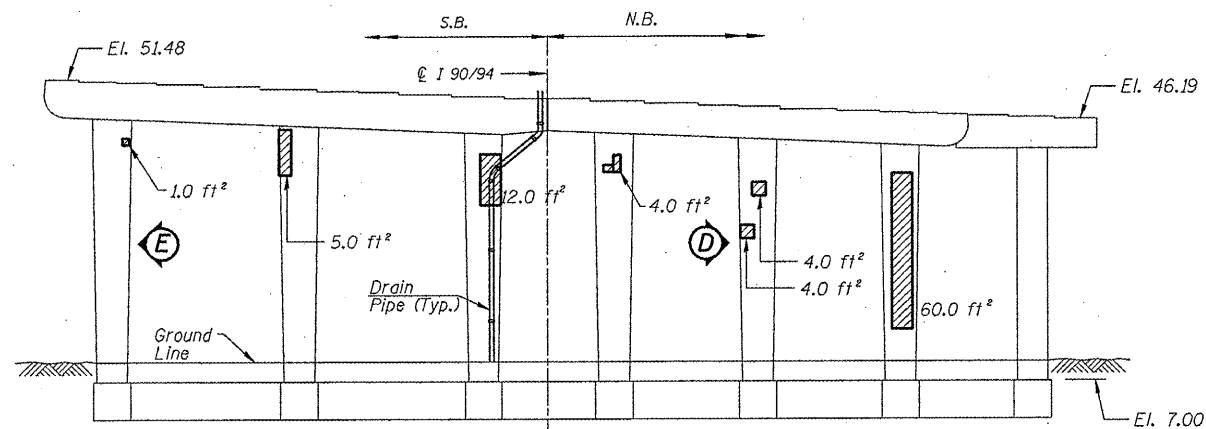
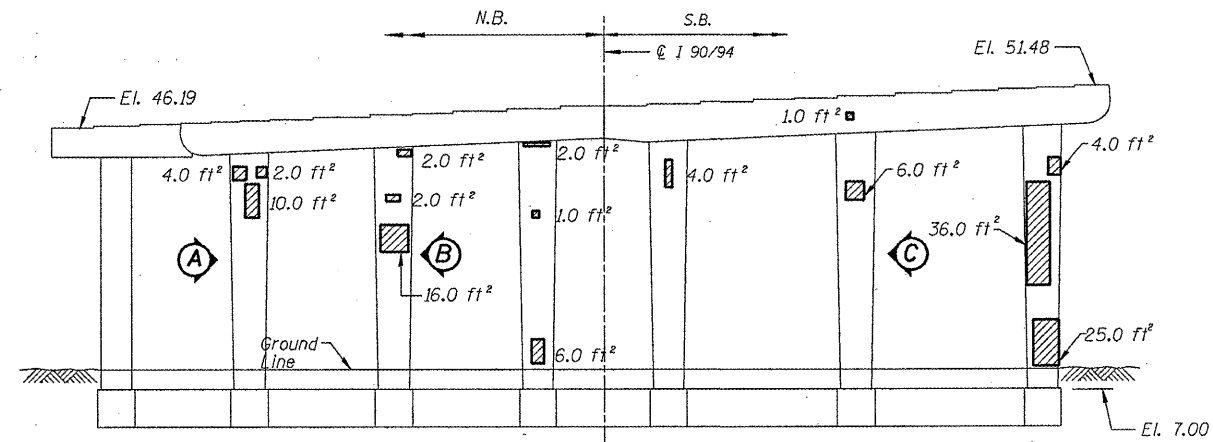


ROUTE FAI 90/94	SECTION 2011-027-I	COUNTY COOK	TOTAL SHEETS 87	SHEET NUMBER 47
--------------------	-----------------------	----------------	--------------------	--------------------

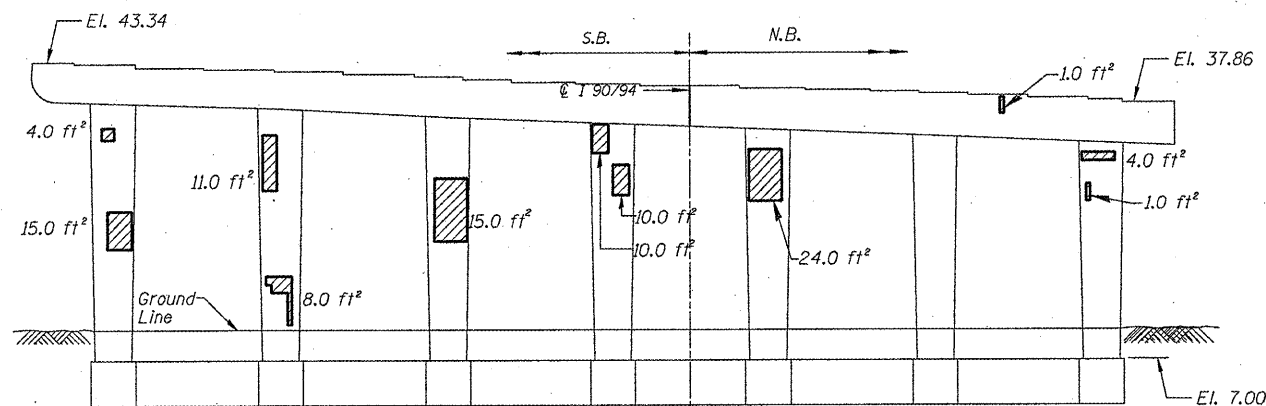
CONTRACT NO. 60P27



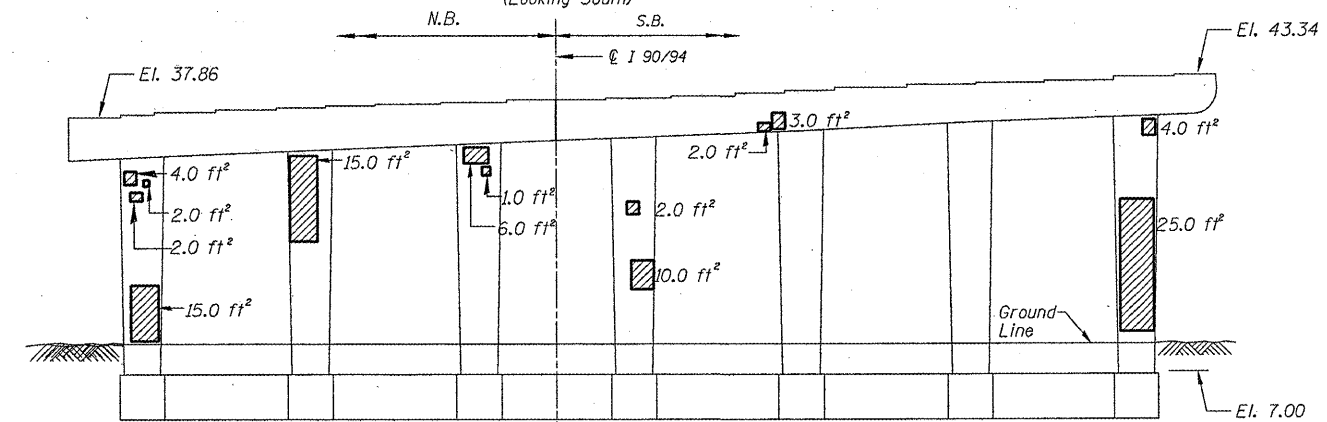
PIER 6 - SOUTH ELEVATION
(Looking North)



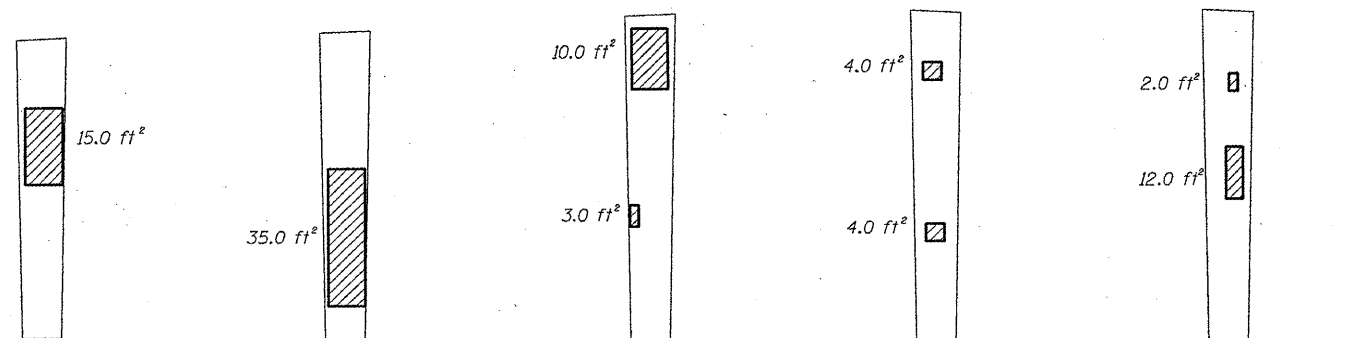
PIER 6 - NORTH ELEVATION
(Looking South)



PIER 9 - SOUTH ELEVATION
(Looking North)



PIER 9 - NORTH ELEVATION
(Looking South)



PIER 6 - VIEW A
Looking West at side of column

PIER 6 - VIEW B
Looking East at side of column

PIER 6 - VIEW C
Looking East at side of column

PIER 6 - VIEW D
Looking East at side of column

PIER 6 - VIEW E
Looking West at side of column

BILL OF MATERIAL

ITEM	UNIT	QUANTITY
Structural Repair of Concrete (Depth equal to or less than 5")	SQ. FT.	490.0

▨ - Structural Repair of Concrete (Depth equal to or less than 5")

ILLINOIS DEPARTMENT OF
TRANSPORTATION

I-90/94 (DAN RYAN EXPRESSWAY)
SUBSTRUCTURE REPAIRS
SN 016-1113
PIERS 6 & 9