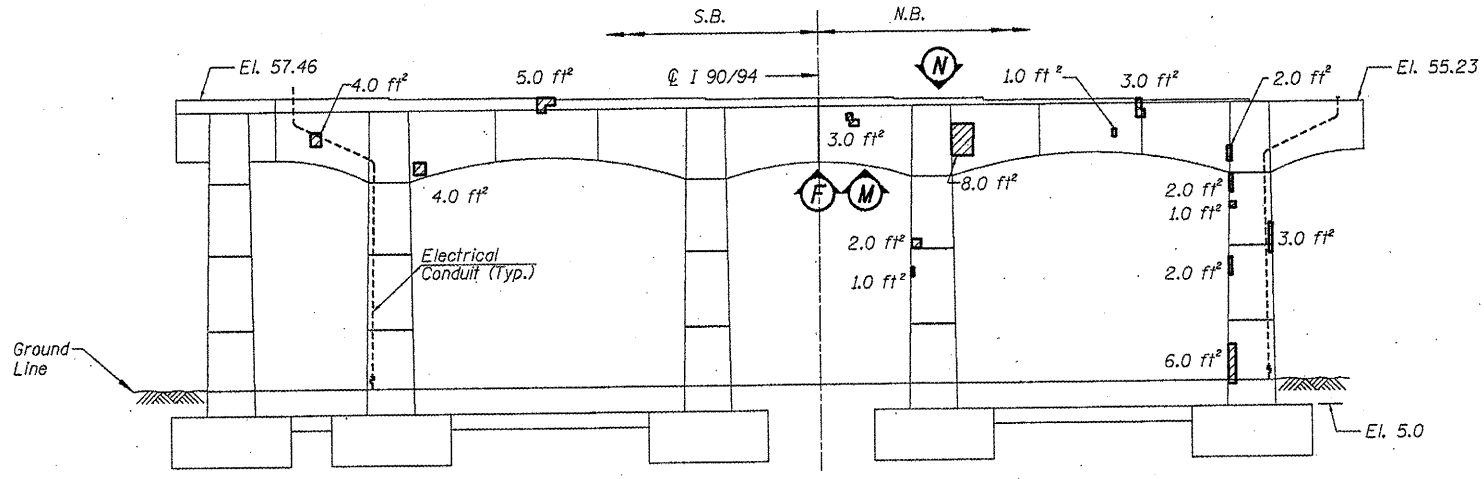
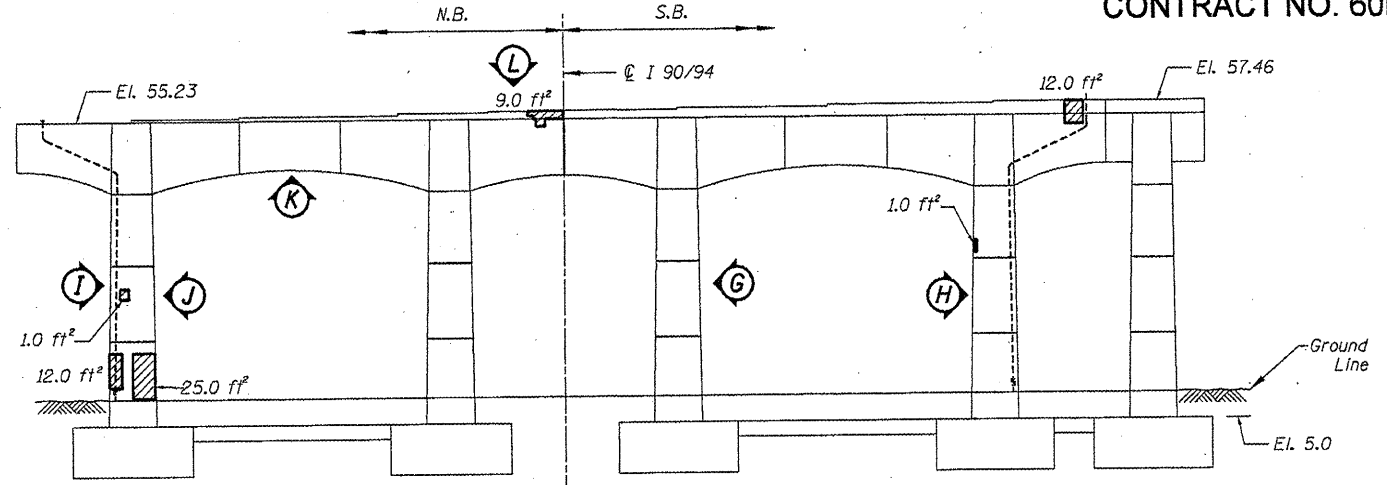


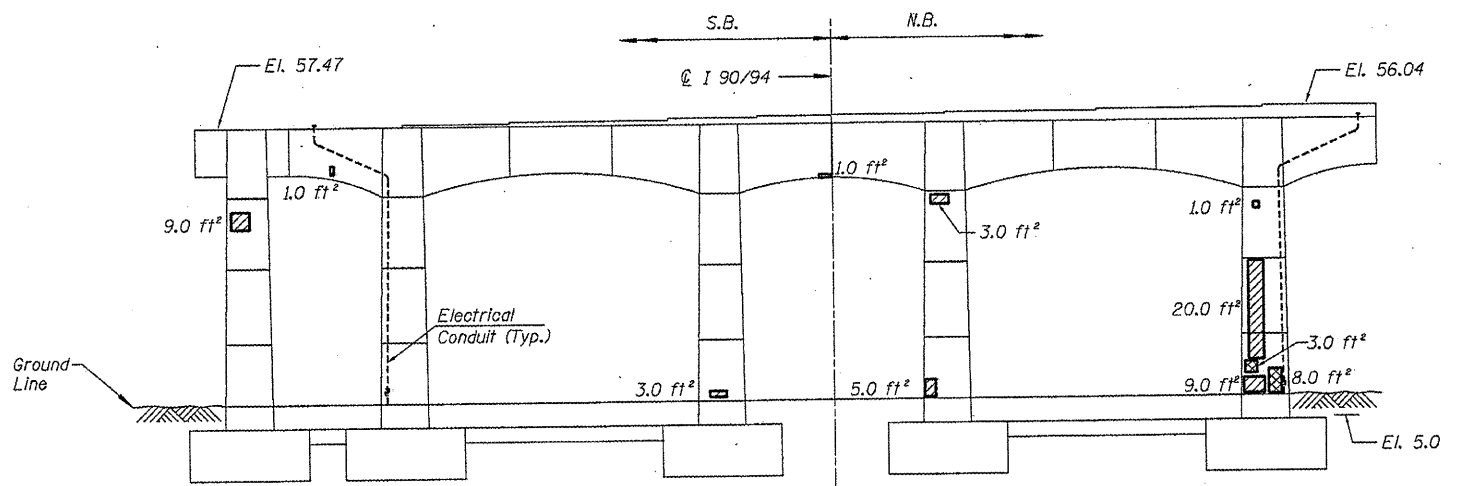
CONTRACT NO. 60P27



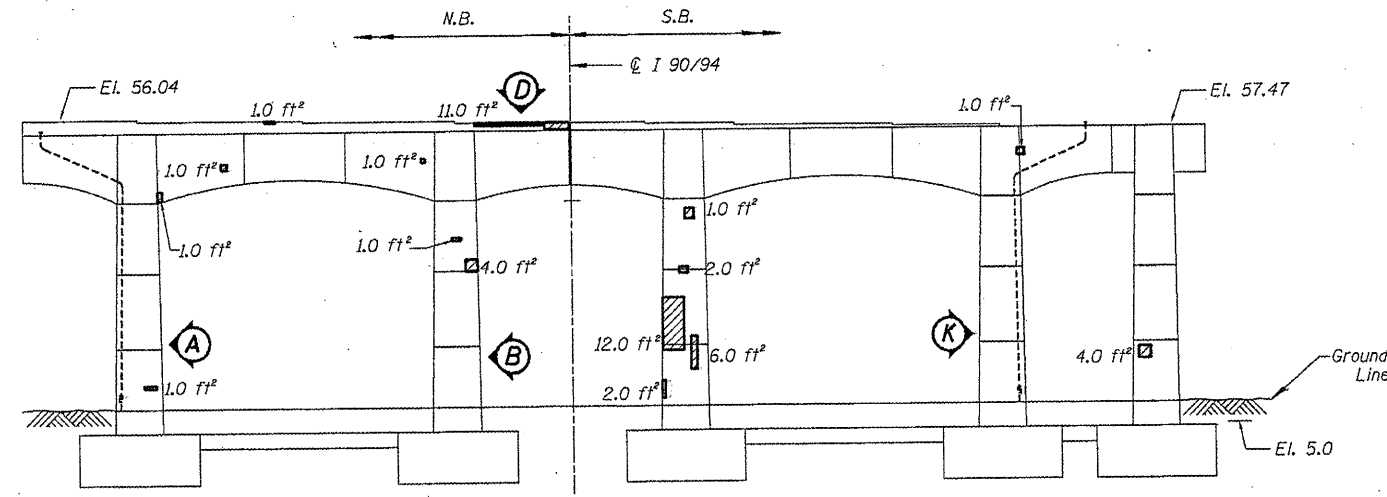
PIER 1 - SOUTH ELEVATION
(Looking North)



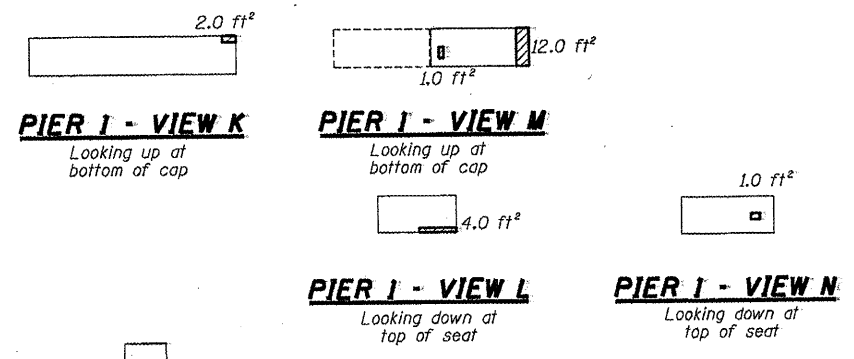
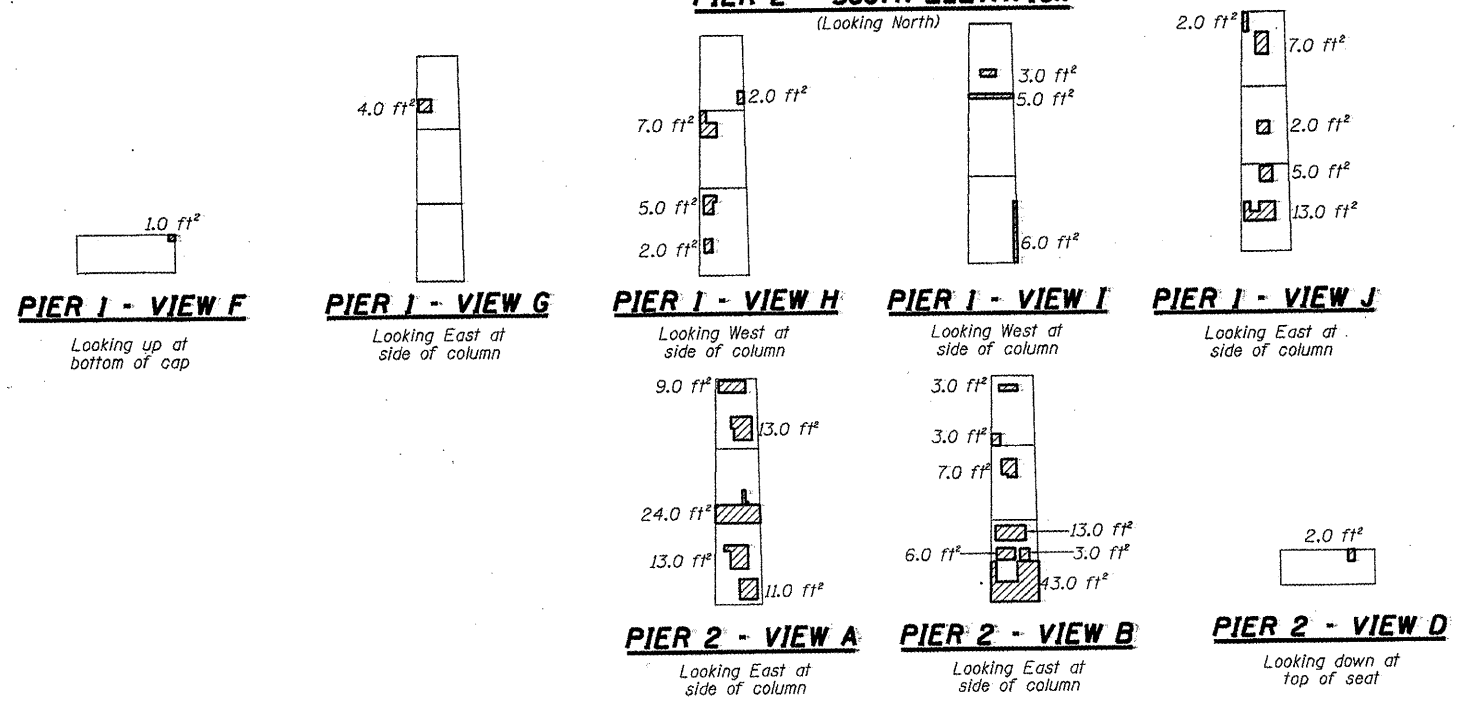
PIER 1 - NORTH ELEVATION
(Looking South)



PIER 2 - SOUTH ELEVATION
(Looking North)



PIER 2 - NORTH ELEVATION
(Looking South)



- Structural Repair of Concrete (Depth equal to or less than 5")
- Structural Repair of Concrete (Depth greater than 5")

BILL OF MATERIAL

ITEM	UNIT	QUANTITY
Structural Repair of Concrete (Depth equal to or less than 5")	SQ. FT.	489.0
Structural Repair of Concrete (Depth greater than 5")	SQ. FT.	14.0

David Carl Puzey
 5/13/11
 Expires 11/30/2012

ILLINOIS DEPARTMENT OF
 TRANSPORTATION
 I-90/94 (DAN RYAN EXPRESSWAY)
 SUBSTRUCTURE REPAIRS
 SN 016-1114
 PIERS 1 & 2