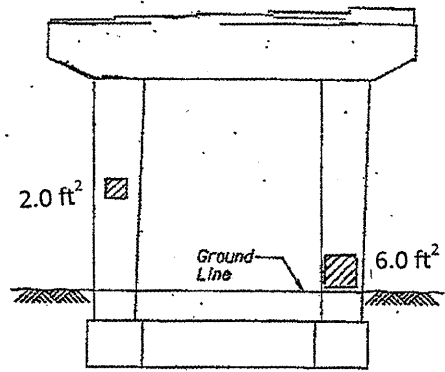
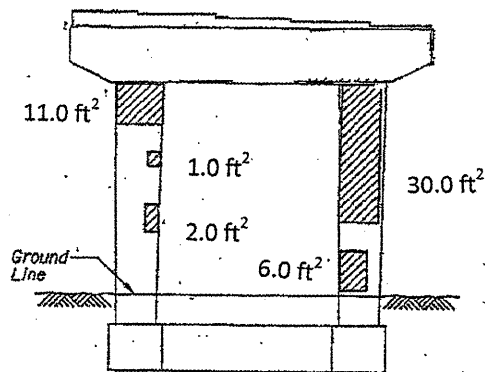


ROUTE FAI 90/94	SECTION 2011-027-I	COUNTY COOK	TOTAL SHEETS 87	SHEET NUMBER 68
--------------------	-----------------------	----------------	--------------------	--------------------

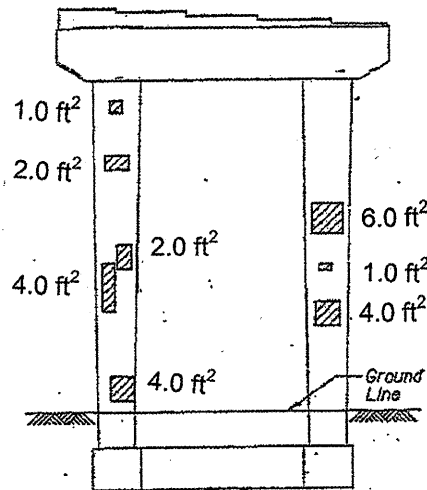
CONTRACT NO. 60P27



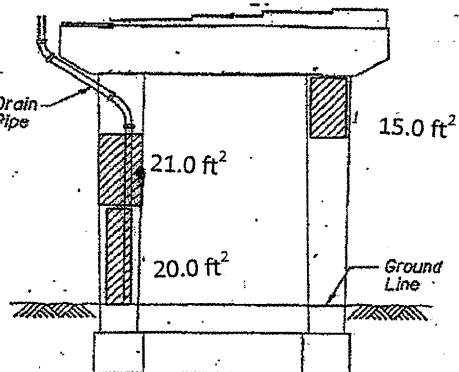
PIER 86 - WEST ELEVATION
(Looking East)



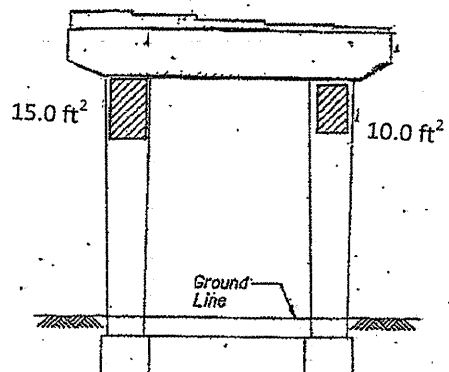
PIER 86 - EAST ELEVATION
(Looking West)



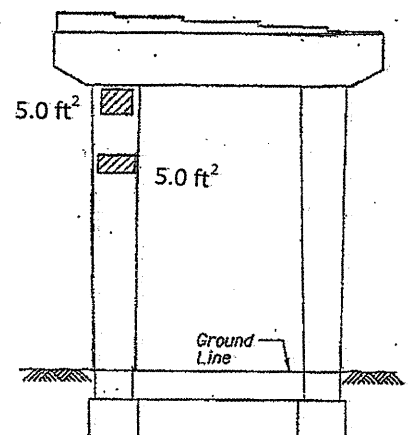
PIER 83 - SOUTH ELEVATION
(Looking North)



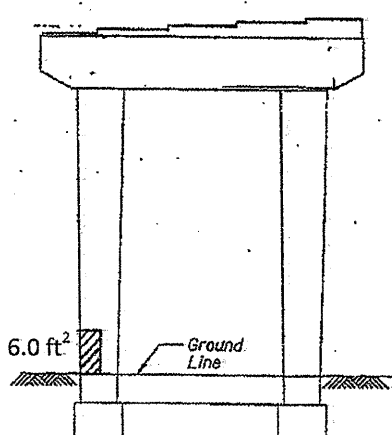
PIER 85 - WEST ELEVATION
(Looking East)



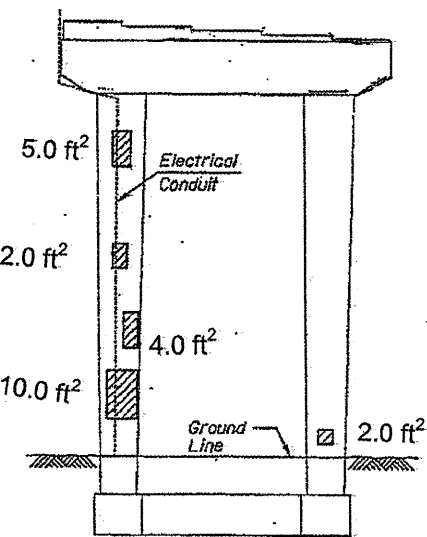
PIER 85 - EAST ELEVATION
(Looking West)



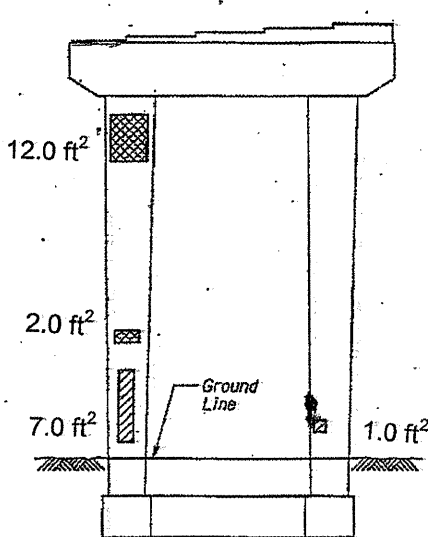
PIER 84 - SOUTH ELEVATION
(Looking North)



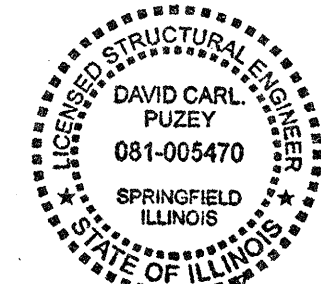
PIER 84 - NORTH ELEVATION
(Looking South)



PIER 82 - SOUTH ELEVATION
(Looking North)



PIER 82 - NORTH ELEVATION
(Looking South)



David Carl Puze 5/13/11
Expires 11/30/2012

BILL OF MATERIAL

ITEM	UNIT	QUANTITY
Structural Repair of Concrete (Depth equal to or less than 5")	SQ. FT.	210.0
Structural Repair of Concrete (Depth greater than 5")	SQ. FT.	14.0

- Structural Repair of Concrete (Depth equal to or less than 5")
- Structural Repair of Concrete (Depth greater than 5")

ILLINOIS DEPARTMENT OF
TRANSPORTATION

I-90/94 (DAN RYAN EXPRESSWAY)
SUBSTRUCTURE REPAIRS
SN 016-1050
PIERS 82 - 86