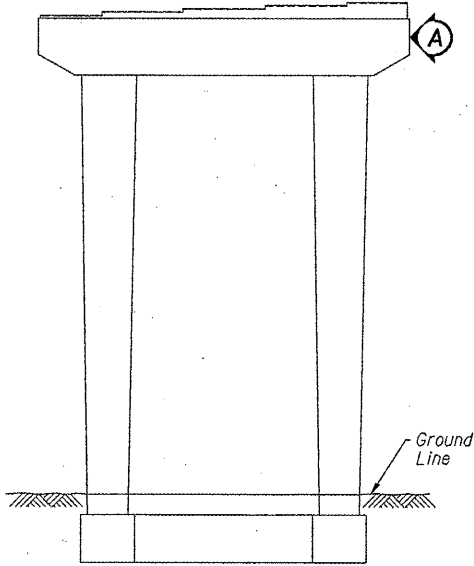
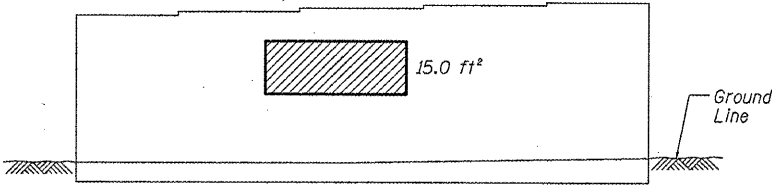


ROUTE	SECTION	COUNTY	TOTAL SHEETS	SHEET NUMBER
FAI 90/94	2011-027-I	COOK	87	69

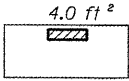
CONTRACT NO. 60P27



PIER 87 - EAST ELEVATION
(Looking West)



ABUTMENT 87 - EAST ELEVATION
(Looking West)



PIER 87 - VIEW A
Looking South
at side of cap

- Structural Repair of Concrete (Depth equal to or less than 5")

BILL OF MATERIAL

ITEM	UNIT	QUANTITY
Structural Repair of Concrete (Depth equal to or less than 5")	SQ. FT.	119.0

ILLINOIS DEPARTMENT OF
TRANSPORTATION

I-90/94 (DAN RYAN EXPRESSWAY)
SUBSTRUCTURE REPAIRS
SN 016-1050
PIER 87 & ABUT 87