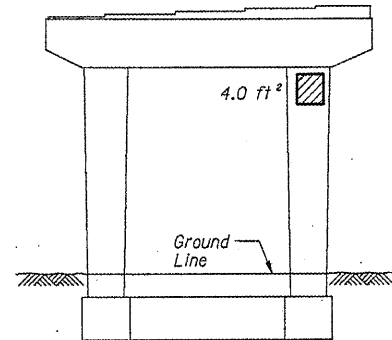
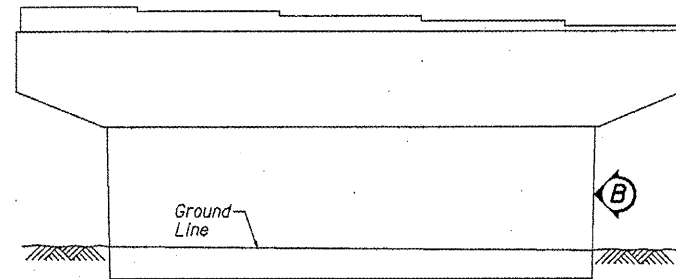


ROUTE FAI 90/94	SECTION 2011-027-I	COUNTY COOK	TOTAL SHEETS 87	SHEET NUMBER 71
--------------------	-----------------------	----------------	--------------------	--------------------

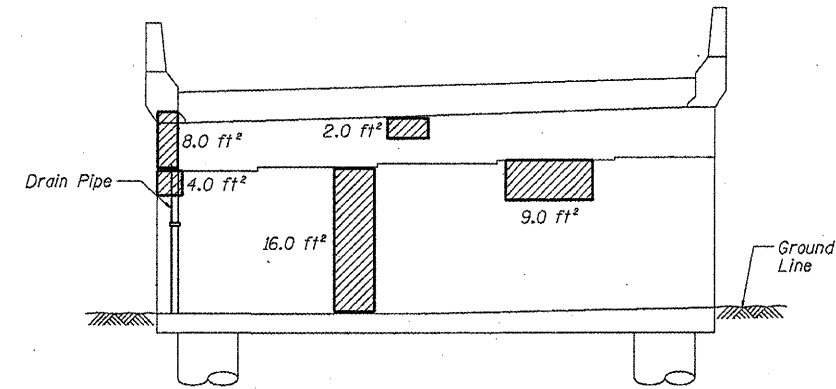
CONTRACT NO. 60P27



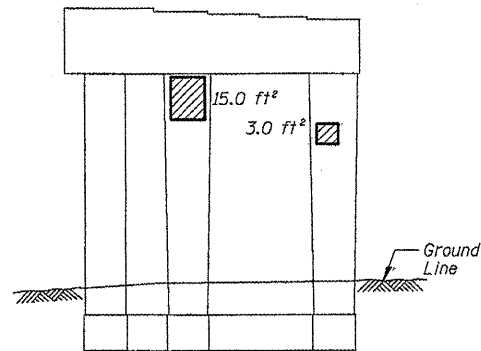
PIER 25 - NORTH ELEVATION
(Looking South)



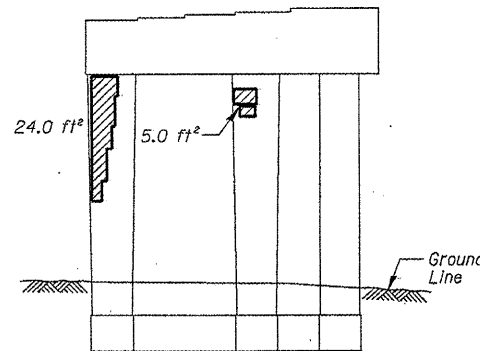
PIER 29 - SOUTH ELEVATION
(Looking North)



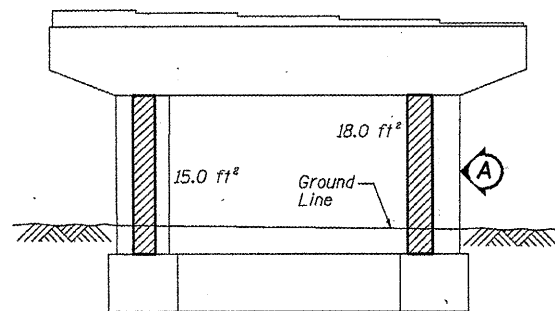
ABUTMENT 30 - NORTH ELEVATION
(Looking South)



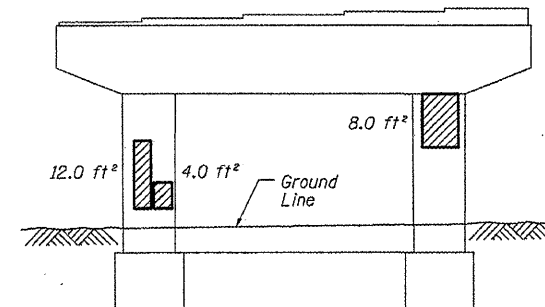
PIER 23 - SOUTH ELEVATION
(Looking North)



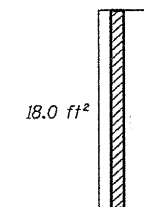
PIER 23 - NORTH ELEVATION
(Looking South)



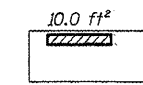
PIER 28 - SOUTH ELEVATION
(Looking North)



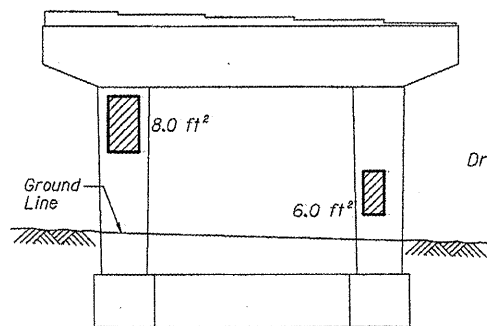
PIER 28 - NORTH ELEVATION
(Looking South)



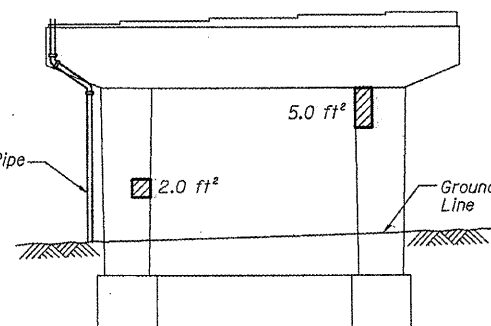
PIER 28 - VIEW A
Looking West at side of column



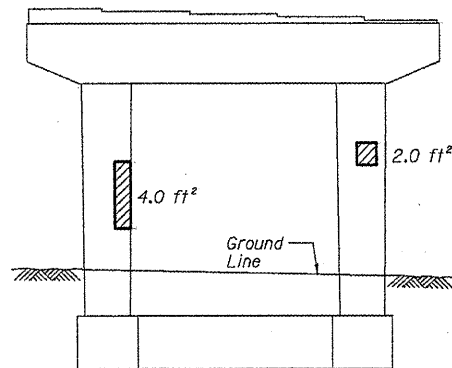
PIER 29 - VIEW B
Looking West at side of pier



PIER 27 - SOUTH ELEVATION
(Looking North)



PIER 27 - NORTH ELEVATION
(Looking South)



PIER 26 - SOUTH ELEVATION
(Looking North)

▨ - Structural Repair of Concrete (Depth equal to or less than 5")



David Carl Puze 5/13/11
Expires 11/30/2012

BILL OF MATERIAL

ITEM	UNIT	QUANTITY
Structural Repair of Concrete (Depth equal to or less than 5")	SQ. FT.	202.0

ILLINOIS DEPARTMENT OF TRANSPORTATION

I-90/94 (DAN RYAN EXPRESSWAY)
SUBSTRUCTURE REPAIRS
SN 016-1047
PIERS 23, 25 - 29, & ABUT 30