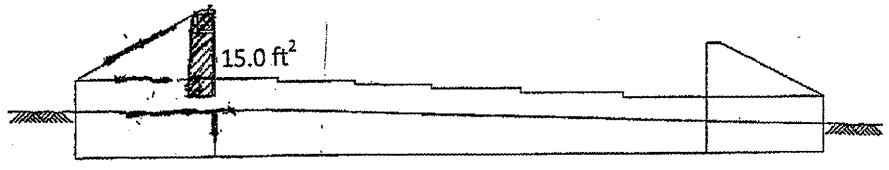
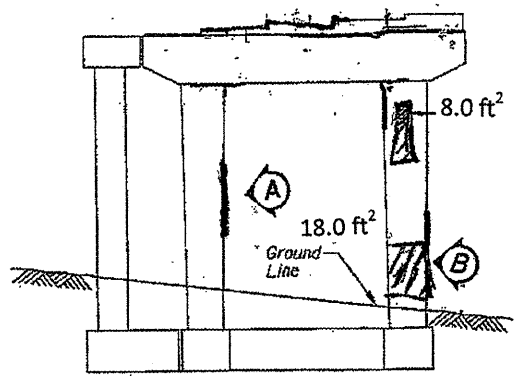


ROUTE	SECTION	COUNTY	TOTAL SHEETS	SHEET NUMBER
FAI 90/94	2011-027-I	COOK	87	72

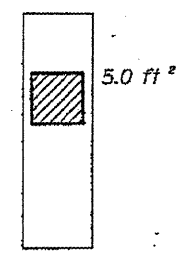
CONTRACT NO. 60P27



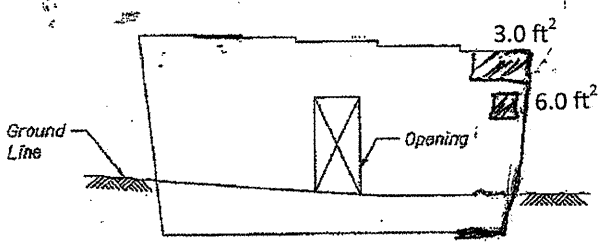
ABUTMENT 73 - EAST ELEVATION
(Looking West)



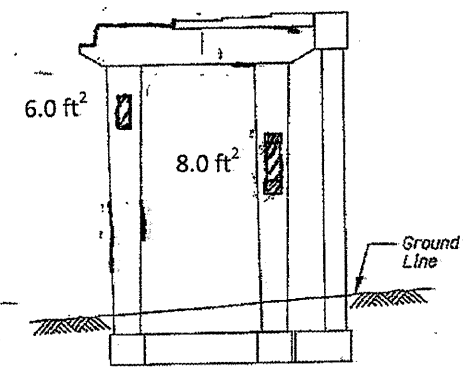
PIER 69 - EAST ELEVATION
(Looking West)



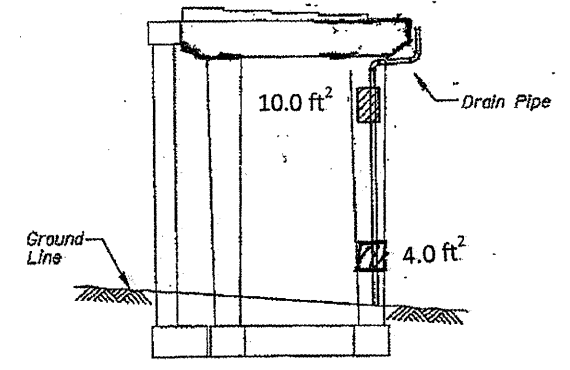
PIER 69 - VIEW A
Looking South at side of column



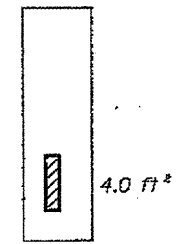
PIER 71 - EAST ELEVATION
(Looking West)



PIER 67 - WEST ELEVATION
(Looking East)

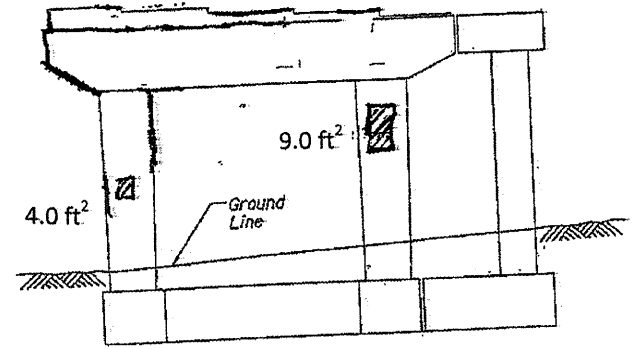


PIER 67 - EAST ELEVATION
(Looking West)



PIER 69 - VIEW B
Looking South at side of column

▨ - Structural Repair of Concrete (Depth equal to or less than 5")



PIER 70 - WEST ELEVATION
(Looking East)

BILL OF MATERIAL

ITEM	UNIT	QUANTITY
Structural Repair of Concrete (Depth equal to or less than 5")	SQ. FT.	82.0



David Carl Puzey 5/13/11
Expires 11/30/2012

ILLINOIS DEPARTMENT OF
TRANSPORTATION

I-90/94 (DAN RYAN EXPRESSWAY)
SUBSTRUCTURE REPAIRS
SN 016-1062
PIERS 67, 69, 70, 71, & ABUT 73