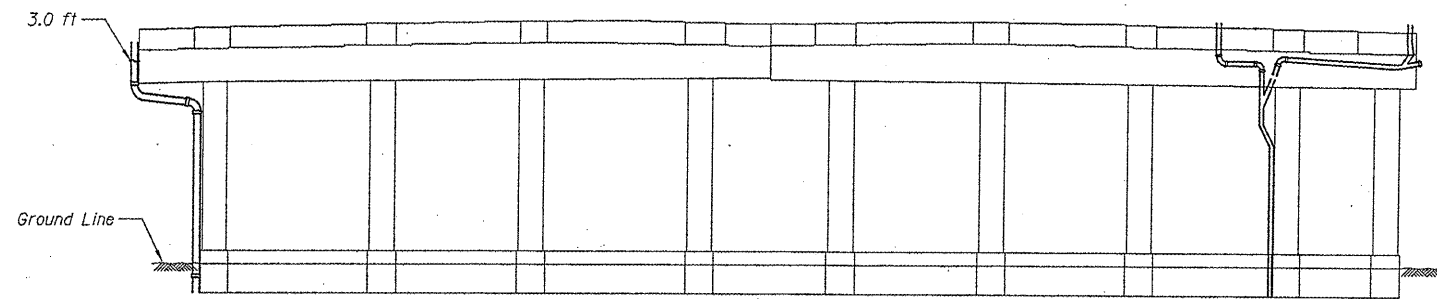
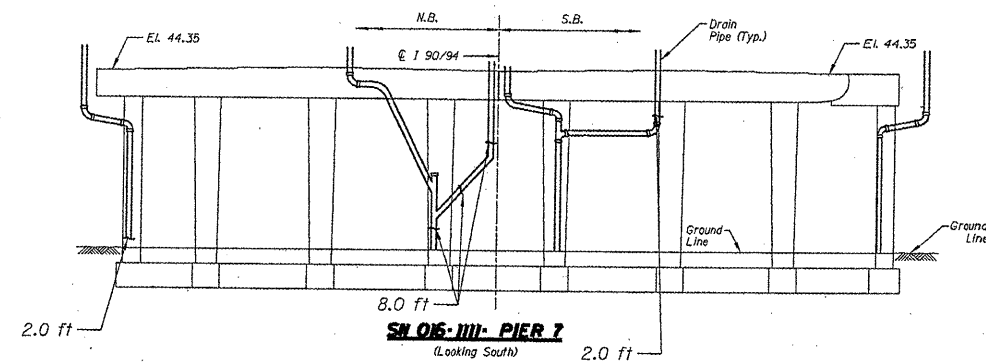


ROUTE	SECTION	COUNTY	TOTAL SHEETS	SHEET NUMBER
FAI 90/94	2011-027-1	COOK	87	73

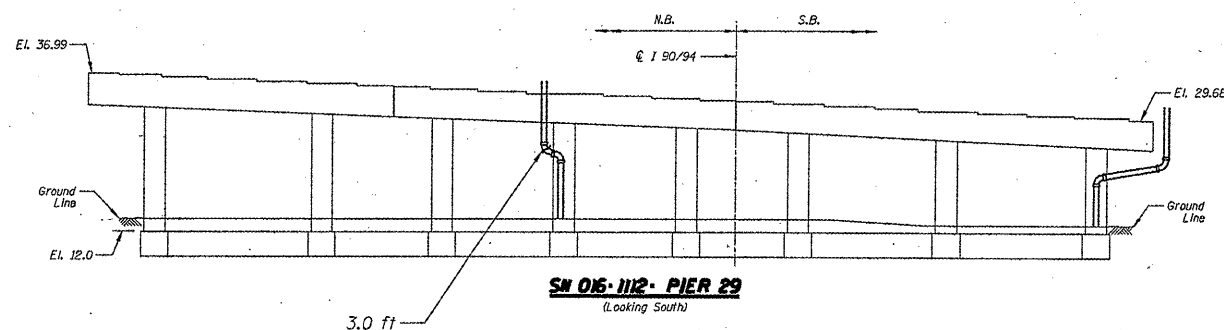
CONTRACT NO. 60P27



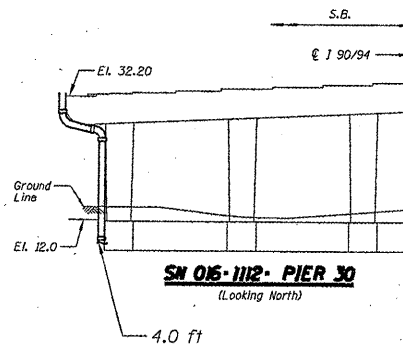
**SN 016-1110- PIER 4**  
(Looking South)



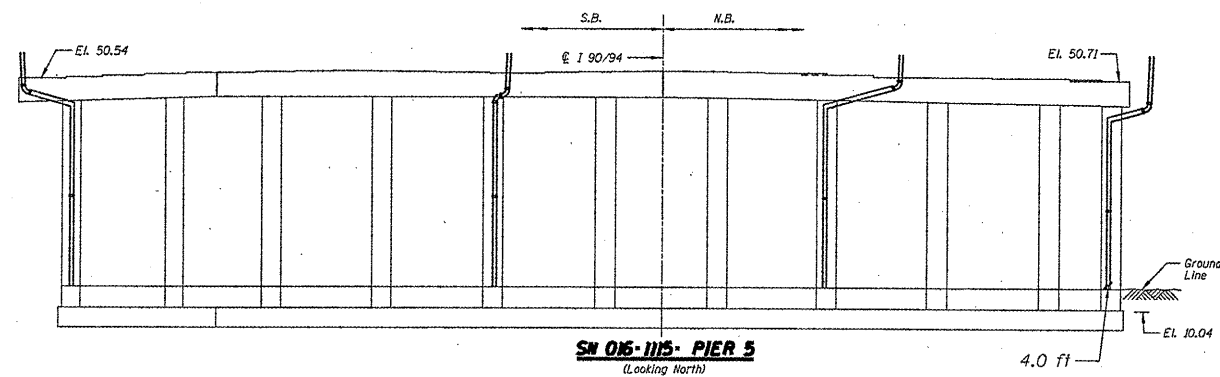
**SN 016-1111- PIER 7**  
(Looking South)



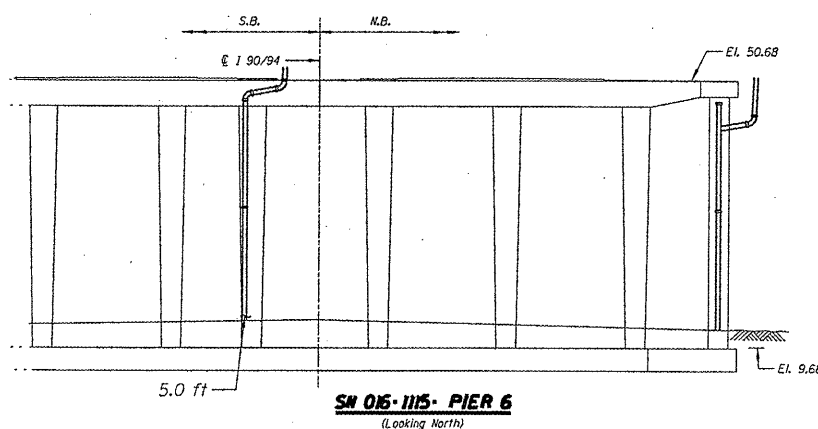
**SN 016-1112- PIER 29**  
(Looking South)



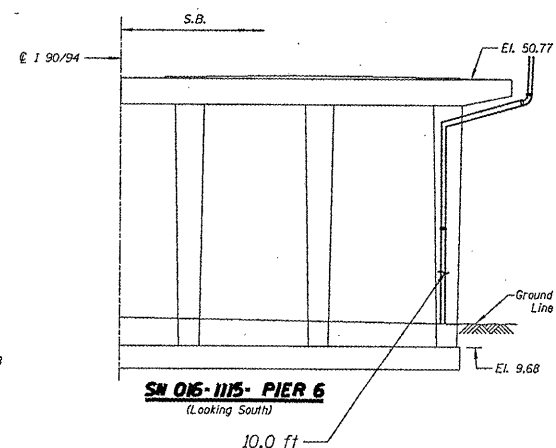
**SN 016-1112- PIER 30**  
(Looking North)



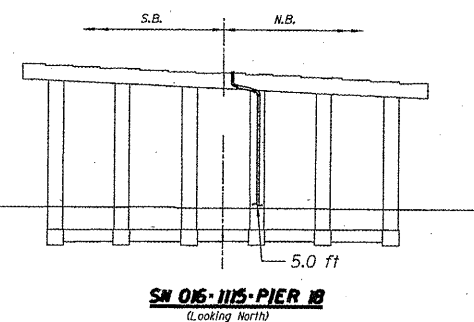
**SN 016-1115- PIER 5**  
(Looking North)



**SN 016-1115- PIER 6**  
(Looking North)



**SN 016-1115- PIER 6**  
(Looking South)



**SN 016-1115- PIER 10**  
(Looking North)

**BILL OF MATERIAL**

ITEM DESCRIPTION	UNIT	QUANTITY
Bridge Drainage System Repairs	FT	63.0

**DRAINAGE REPAIR NOTES**

- In addition to the repairs shown schematically, 5.0 ft and 6.0 ft of drainage system repairs will be done on East Column of Pier 8 and East Column of Pier 14 for SN 016-1115 respectively. 3.0 ft of drainage system repair will also be done for Pier 3 at the North End of SN 016-1116. Pipe is disconnected at ground level.
- The locations shown as requiring drainage repairs identify the general deficiency. The drainage system is shown schematically. It shall be the Contractor's responsibility to verify the locations, dimensions and details prior to ordering the material. Such variations shall not be cause for additional compensation for a change in the scope of work, however the contractor will be paid for the Quantity actually furnished at the unit price bid for the work.
- The Contractor shall provide all piping, brackets, hangers, fittings, hardware and other accessories required to return the existing drainage system to a fully functional leak free system. See Special Provisions.
- When existing drain pipes are wrapped with tape, the tape shall be removed if pipe is broken or missing connection. The pipe shall be replaced or otherwise new tape shall be provided. The type of the tape shall be approved by the Engineer. The cost shall be included in "Bridge Drainage System Repairs" and the length measured shall be length the of pipe replaced or the length of pipe re-taped.
- The Contractor shall wrap any joints that are leaking as directed by the Engineer. The cost shall be included in "Bridge Drainage System Repairs".
- For pier locations see General Plan & Elevation Sheets.

**ILLINOIS DEPARTMENT OF TRANSPORTATION**

**I-90/94 (DAN RYAN EXPRESSWAY)  
DRAINAGE SYSTEM REPAIRS  
SN 016-1110, 016-1111, 016-1112,  
016-1115, & 016-1116**