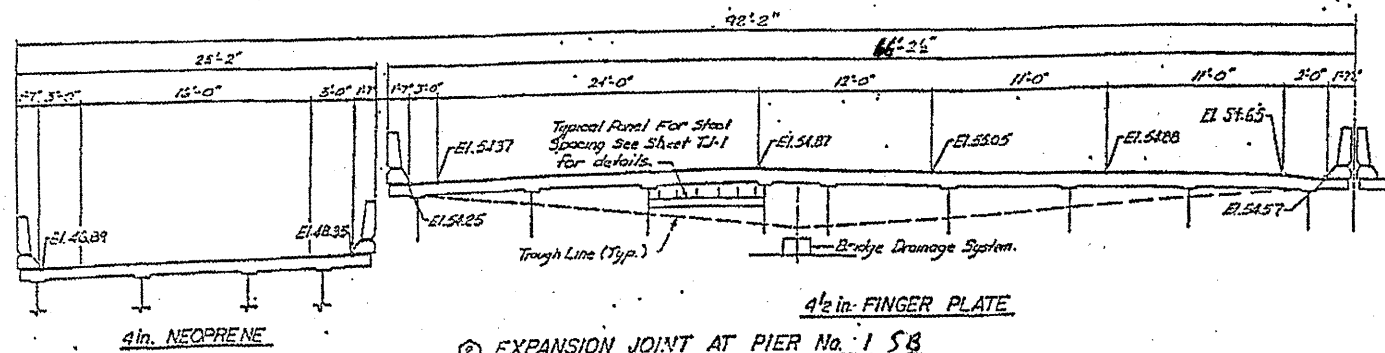
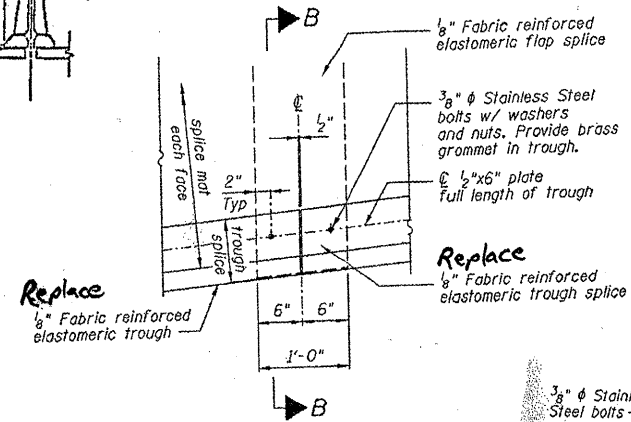


ROUTE	SECTION	COUNTY	TOTAL SHEETS	SHEET NUMBER
FAI 90/94	2011-027-1	COOK	87	75

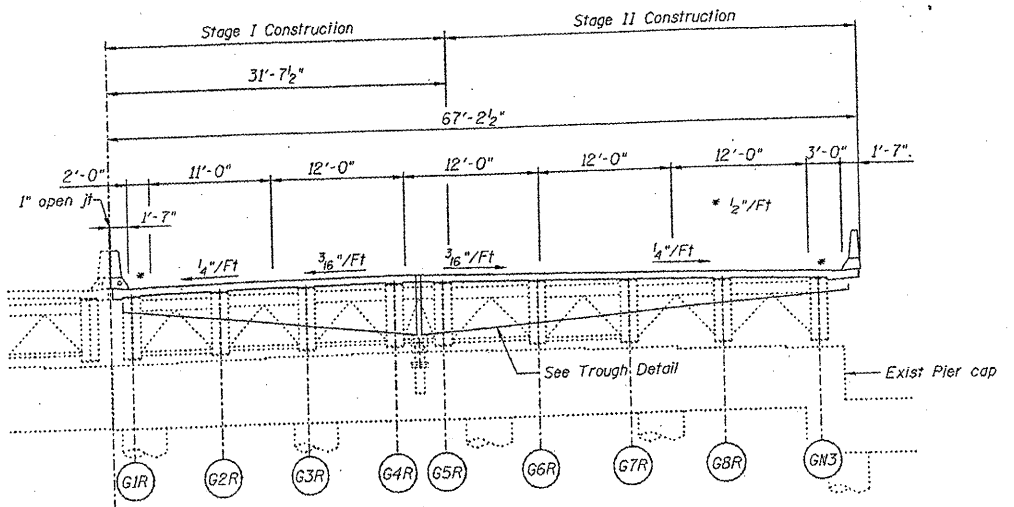
CONTRACT NO. 60P27



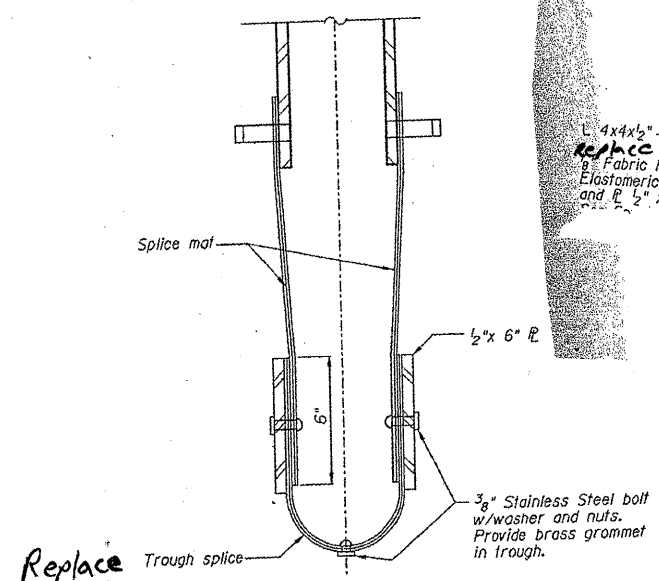
EXPANSION JOINT AT PIER No. 1 SB
LOCATION ⑤ 016-1110



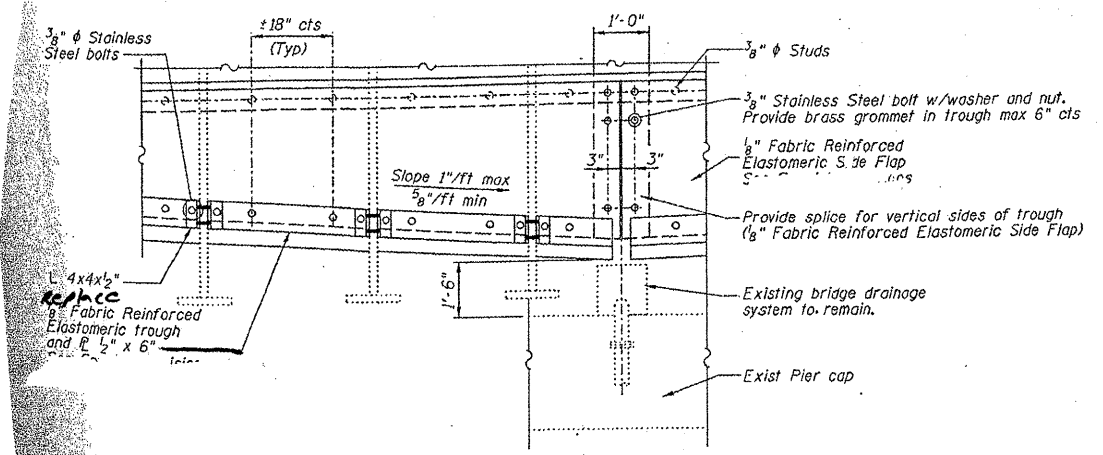
TROUGH SPLICE DETAIL



PIER 1 NORTHBOUND
ELEVATION AT PIER 1 (LOOKING NORTH)



SECTION B-B



TROUGH DETAIL

ILLINOIS DEPARTMENT OF
TRANSPORTATION

I-90/94 (DAN RYAN EXPRESSWAY)
DRAINAGE SYSTEM REPAIRS
SN 016-1110
PIER 1 NB & SB
SHEET 1 OF 2