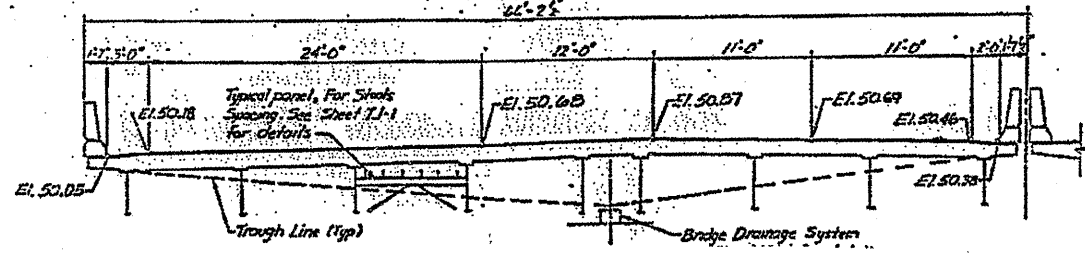


ROUTE	SECTION	COUNTY	TOTAL SHEETS	SHEET NUMBER
FAI 90/94	2011-027-1	COOK	87	81

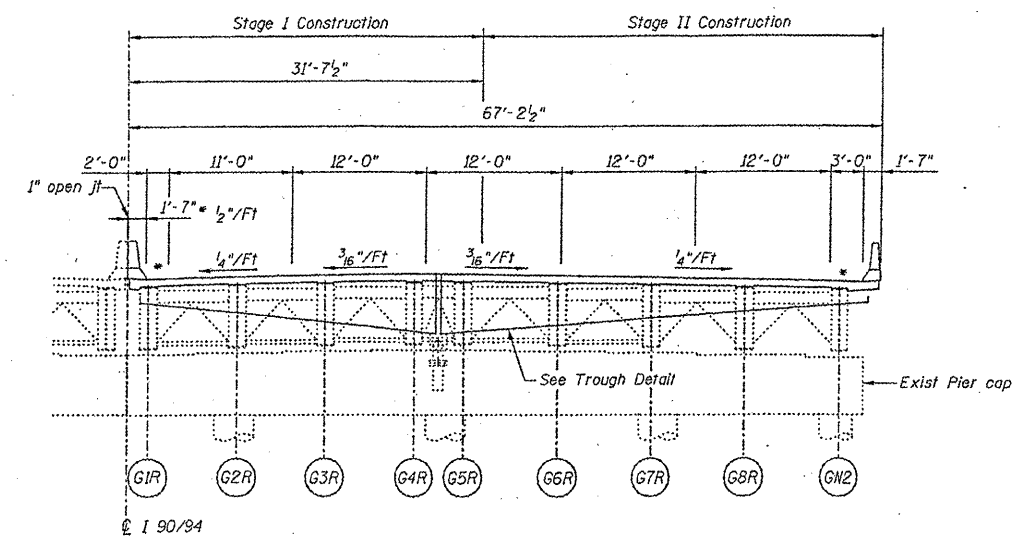
CONTRACT NO. 60P27



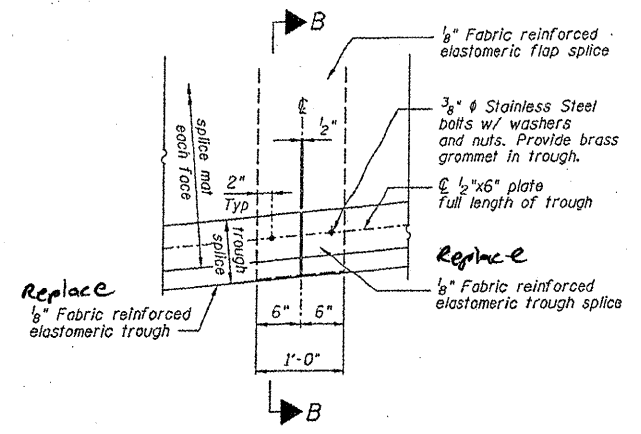
EXPANSION JOINT AT PIER No. 7 SB

4 1/2 in. FINGER PLATE

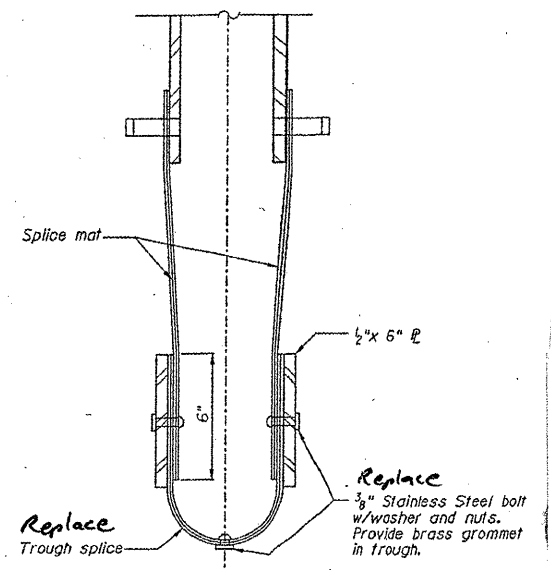
LOCATION 016-1111



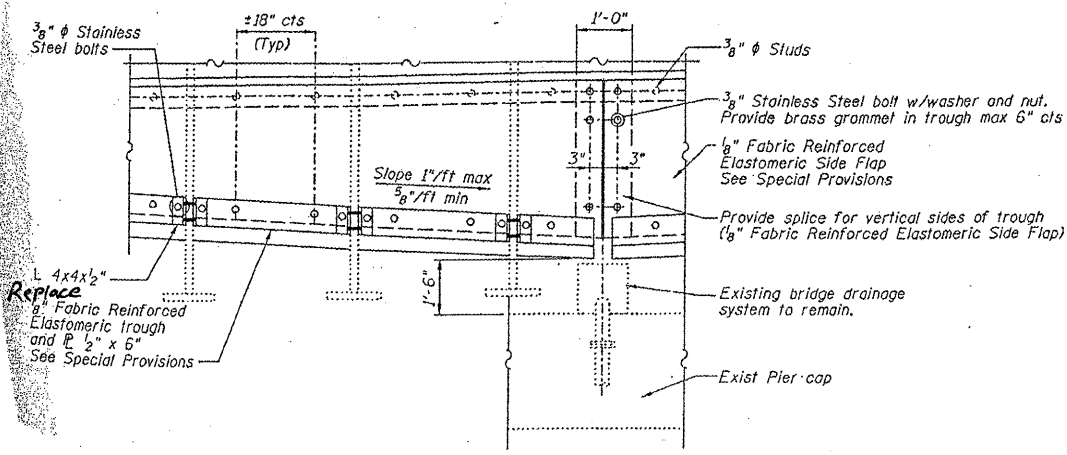
PIER 7 NORTHBOUND  
ELEVATION AT PIER 7 (LOOKING NORTH)



TROUGH SPLICE DETAIL



SECTION B-B



TROUGH DETAIL

ILLINOIS DEPARTMENT OF  
TRANSPORTATION  
I-90/94 (DAN RYAN EXPRESSWAY)  
DRAINAGE SYSTEM REPAIRS  
SN 016-1111  
PIER 7 NB & SB  
SHEET 1 OF 2