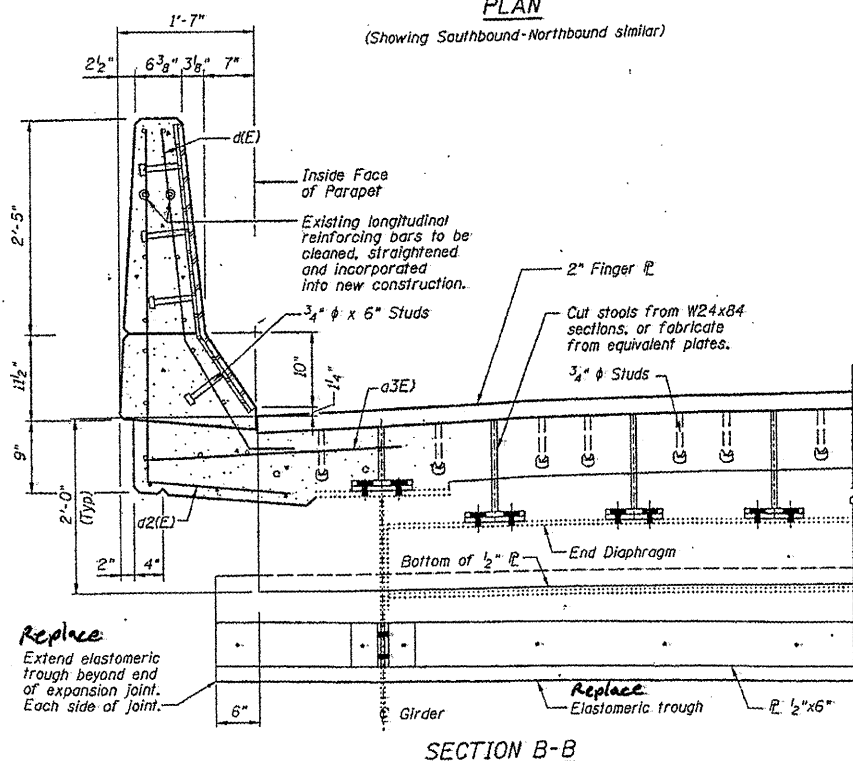
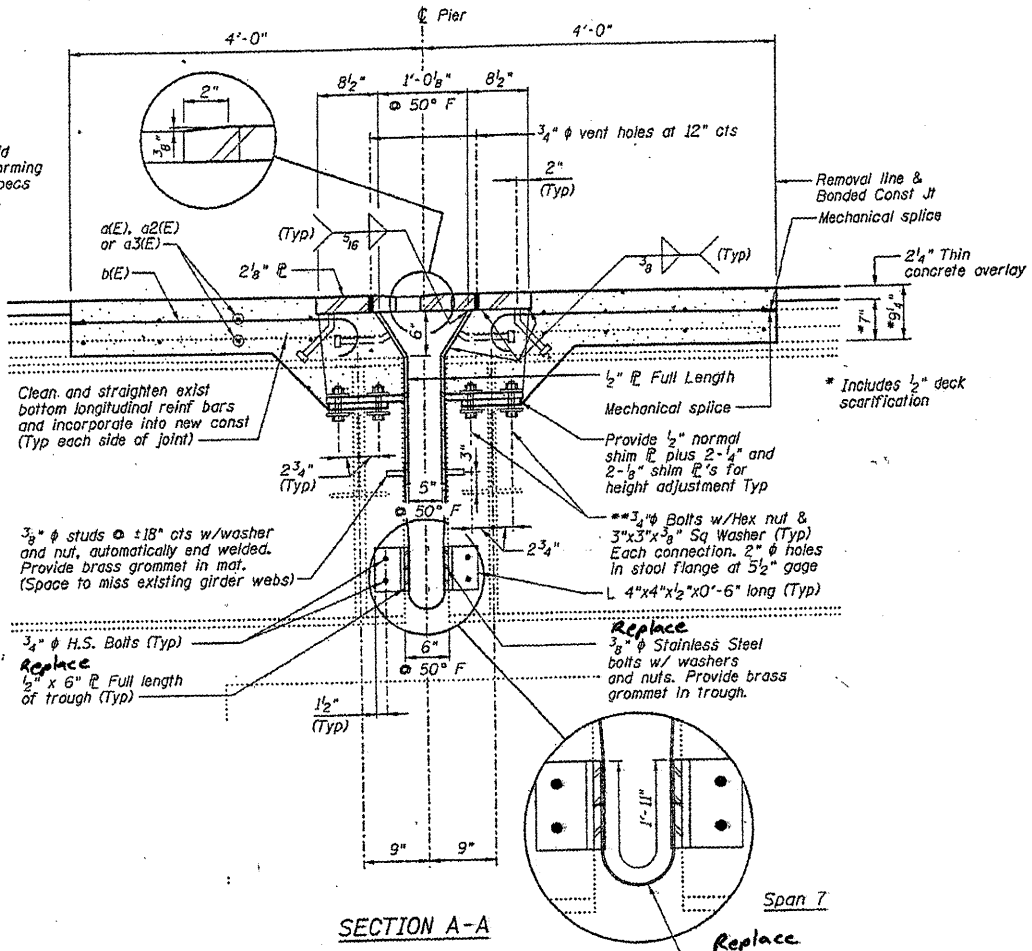
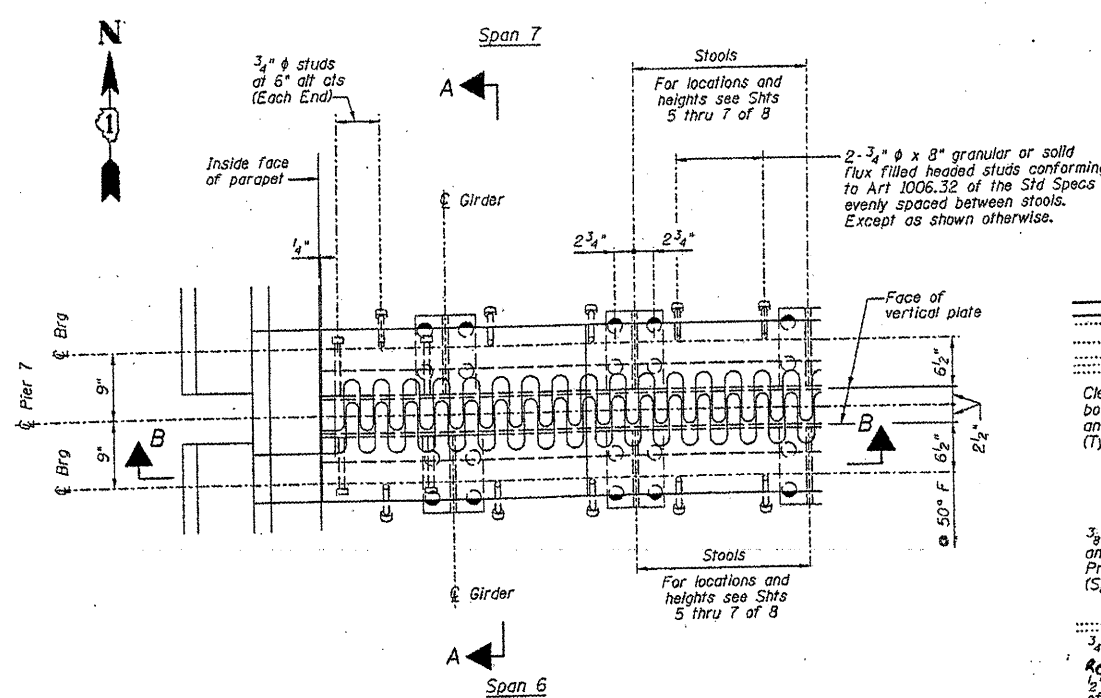


ROUTE FAI 90/94	SECTION 2011-027-1	COUNTY COOK	TOTAL SHEETS 87	SHEET NUMBER 82
--------------------	-----------------------	----------------	--------------------	--------------------

CONTRACT NO. 60P27



BILL OF MATERIAL

ITEM	UNIT	QUANTITY
Bridge Drainage System Repairs	FT.	135.0

DRAINAGE REPAIR NOTES

- The Contractor shall replace the Fabric Reinforced Elastomeric Trough, splices, & stainless steel bolts with washers & nuts as detailed & according to 520 of the Standard Specifications. The length of neoprene trough required is included in the quantity for "Bridge Drainage System Repairs". Removal of existing finger plate trough & any debris is included in the cost of "Bridge Drainage System Repairs".

ILLINOIS DEPARTMENT OF
TRANSPORTATION

I-90/94 (DAN RYAN EXPRESSWAY)
DRAINAGE SYSTEM REPAIRS
SN 016-1111
PIER 7 NB & SB
SHEET 2 OF 2