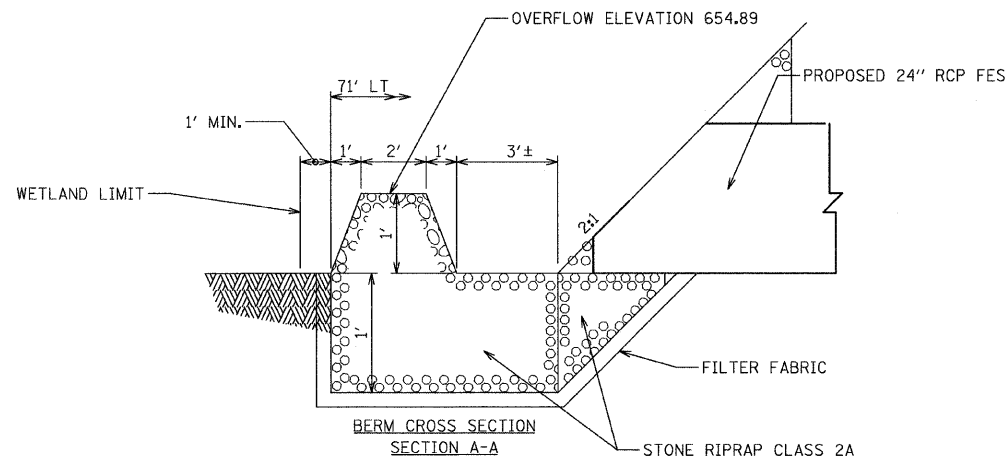
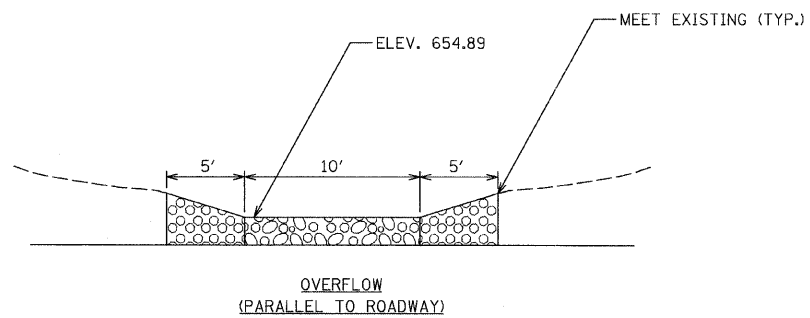
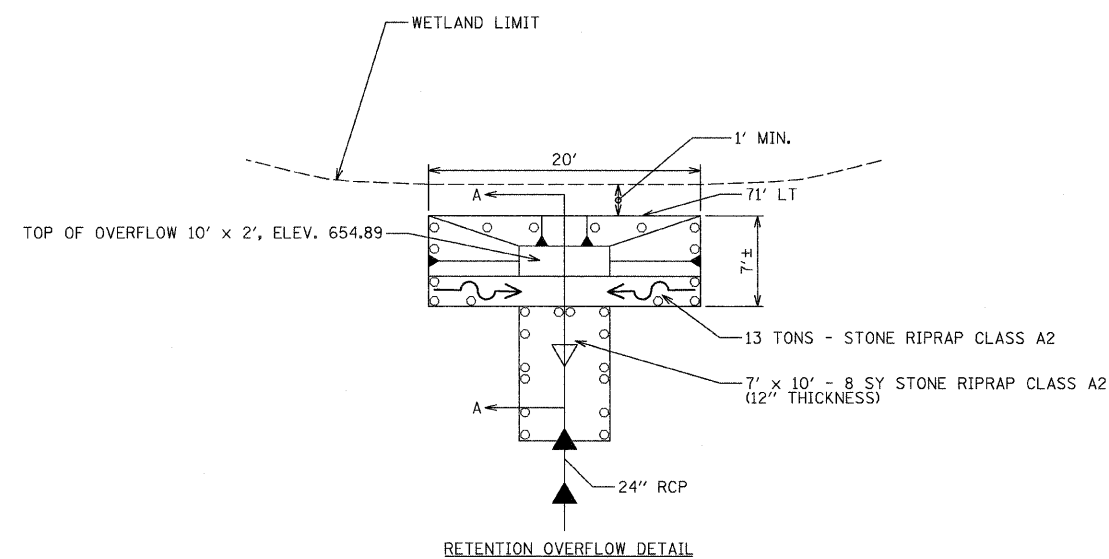
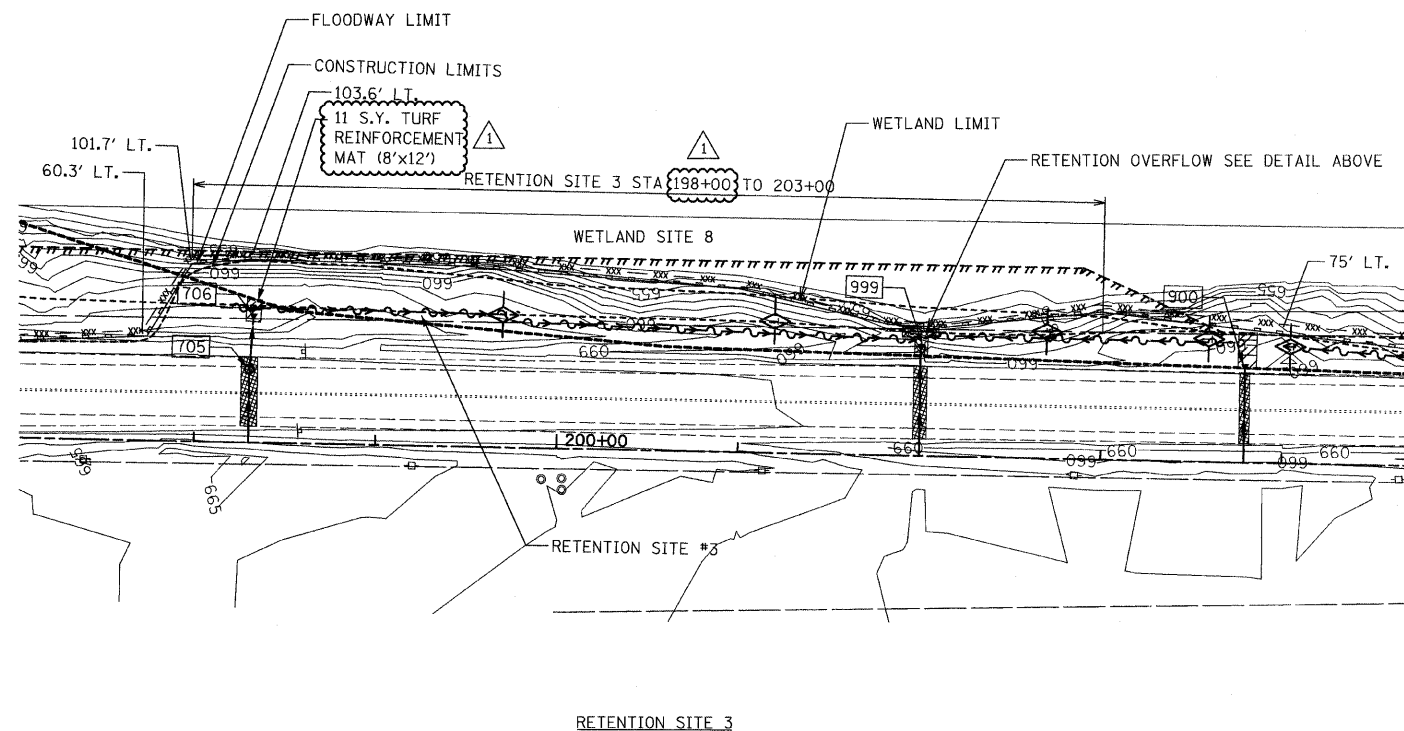


| IL21 SITE 3 VOLUME PROVIDED | | | |
|-----------------------------|-------------------|-----------------|---------------|
| STA | AREA (SQFT) | AVG AREA (SQFT) | VOLUME (CUFT) |
| 203+00 | 7.75 | 9.13 | 228.13 |
| 202+00 | 10.5 | 10.00 | 1000 |
| 201+00 | 9.5 | 8.75 | 875 |
| 200+00 | 8 | 7.29 | 728.5 |
| 199+00 | 6.57 | 5.84 | 583.5 |
| 198+00 | 5.1 | 4.80 | 480 |
| 197+00 | 4.5 | | |
| | TOTAL | 3895.13 | |
| | TOTAL CUVD | 144.26 | |



NOTE: EXISTING CONTOURS ARE SHOWN, SEE CROSS SECTIONS FOR PROPOSED GRADING



| | | | |
|----------------------------------|--------------------------------|-----------------|---------------------------|
| FILE NAME = sht-detention3-4.dgn | USER NAME = IDOT | DESIGNED - EJM | REVISED - 1 06/03/11 J.V. |
| | | DRAWN - BK | REVISED - |
| | PLOT SCALE = 50.000000 ' / IN. | CHECKED - GFL | REVISED - |
| | PLOT DATE = 6/2/2011 | DATE - 12/17/10 | REVISED - |

STATE OF ILLINOIS
DEPARTMENT OF TRANSPORTATION

| DRAINAGE PLAN RETENTION SITE 3 | | | |
|-----------------------------------|-----------|-----------|--------------|
| SCALE: | SHEET NO. | OF SHEETS | STA. TO STA. |
| | | | |

| F.A.P. RTE. | SECTION | COUNTY | TOTAL SHEETS | SHEET NO. |
|---|---------|--------|--------------|-----------|
| 330 | 128-I-3 | LAKE | 128 | 34 |
| CONTRACT NO. 60P33 | | | | |
| FED. ROAD DIST. NO. 1 ILLINOIS FED. AID PROJECT | | | | |