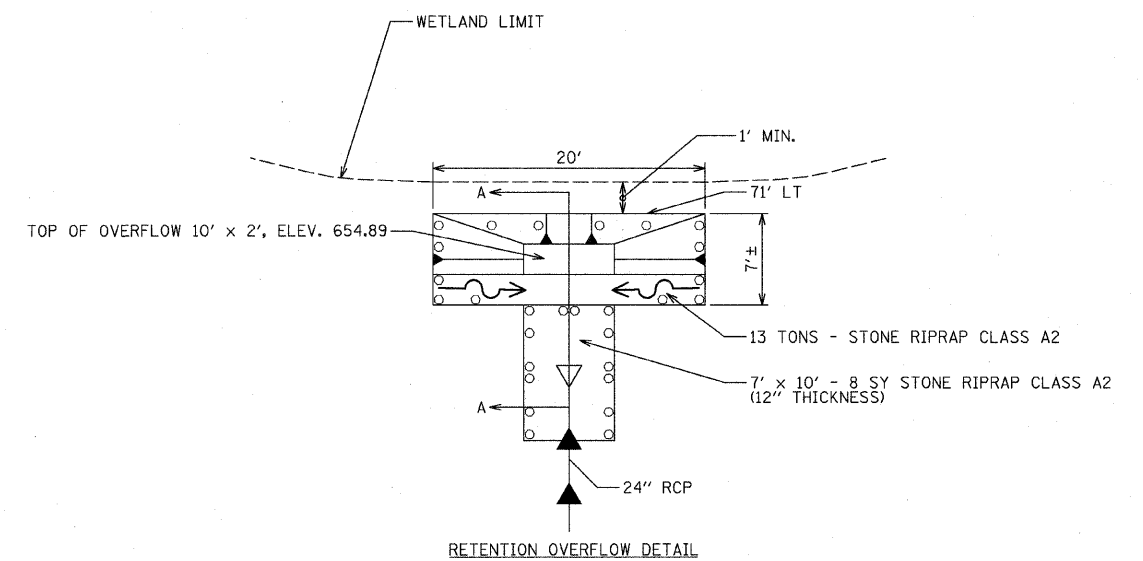
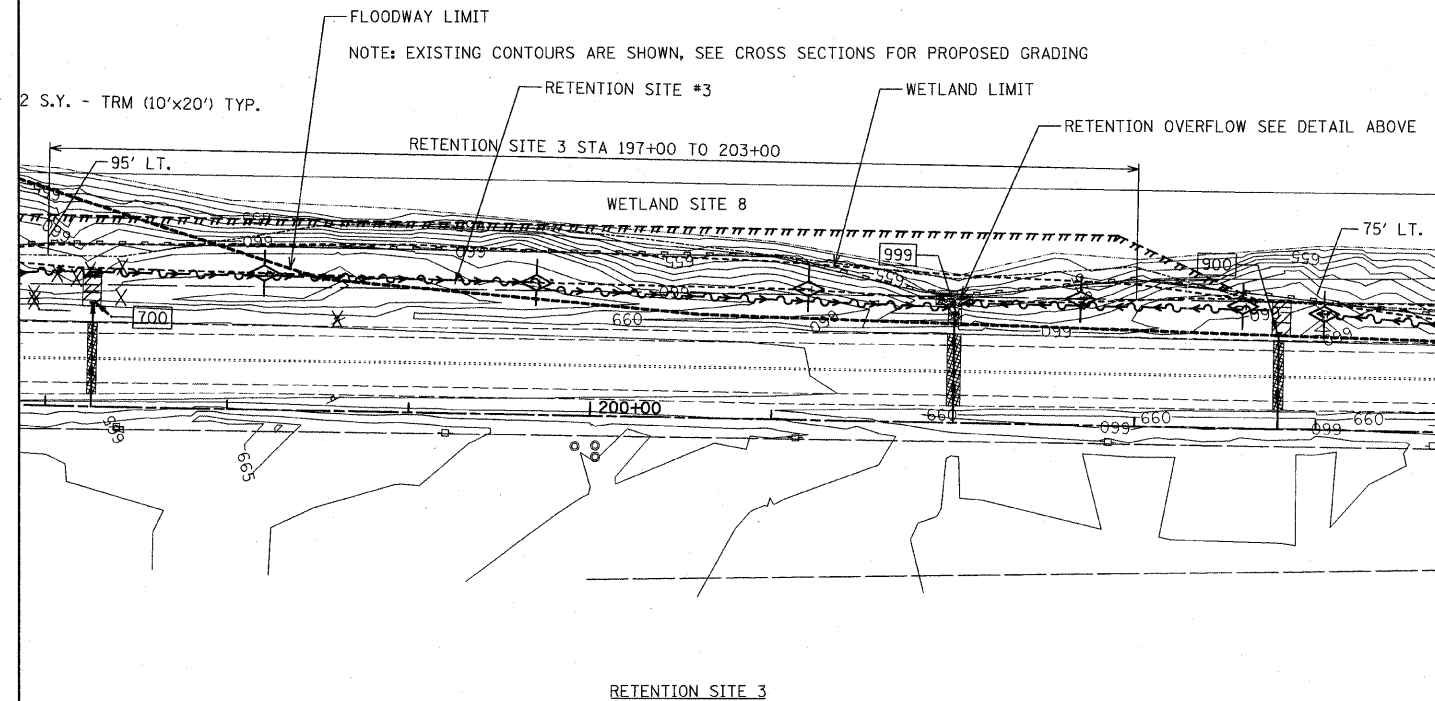
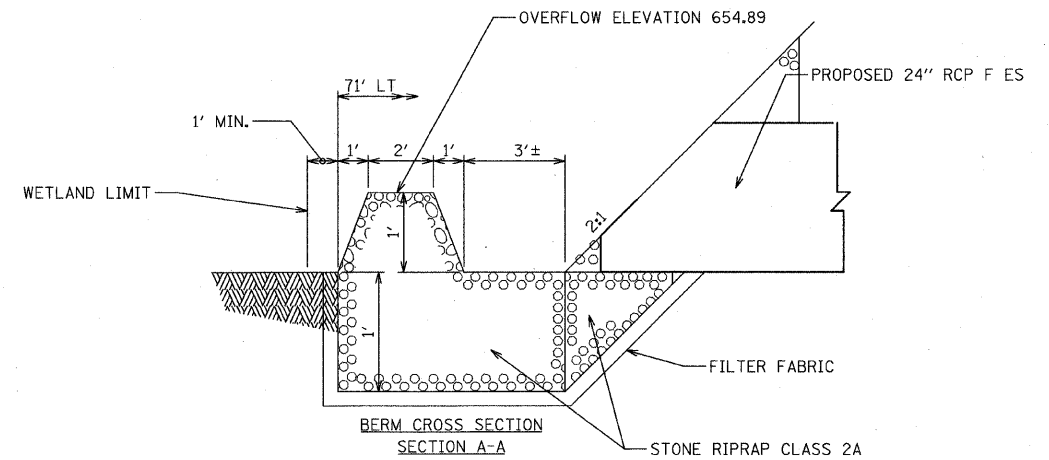
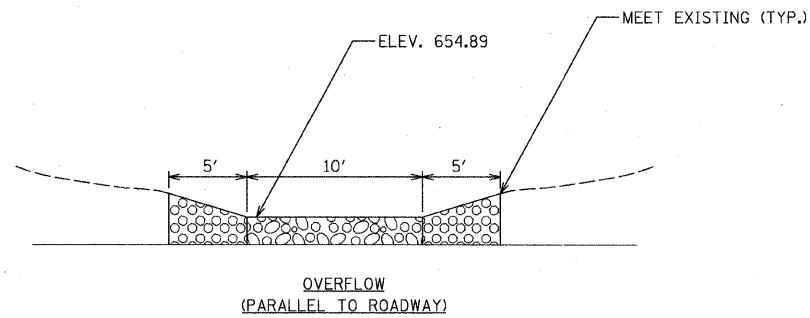


IL21 SITE 3 VOLUME PROVIDED			
STA	AREA (SQFT)	AVG AREA (SQFT)	VOLUME (CUFT)
203+00	7.75	9.13	228.13
202+00	10.5	10.00	1000
201+00	9.5	8.75	875
200+00	8	7.29	728.5
199+00	6.57	5.84	583.5
198+00	5.1	4.80	480
197+00	4.5		
TOTAL			3895.13
TOTAL CUYD			144.26



FILE NAME = sh1-detention-3-4.dgn	USER NAME = IDOT	DESIGNED - EJM	REVISED -
		DRAWN - BK	REVISED -
	PLOT SCALE = 50.000000' / IN.	CHECKED - CFL	REVISED -
	PLOT DATE = 5/7/2011	DATE - 12/17/10	REVISED -

**STATE OF ILLINOIS
DEPARTMENT OF TRANSPORTATION**

DRAINAGE PLAN RETENTION SITE 3			
SCALE:	SHEET NO.	OF SHEETS	STA. TO STA.

F.A.P. RTE. NO.	SECTION	COUNTY	TOTAL SHEETS	SHEET NO.
330	128-I-3	LAKE	128	34
CONTRACT NO. 60P33				
FED. ROAD DIST. NO. 1 ILLINOIS FED. AID PROJECT				