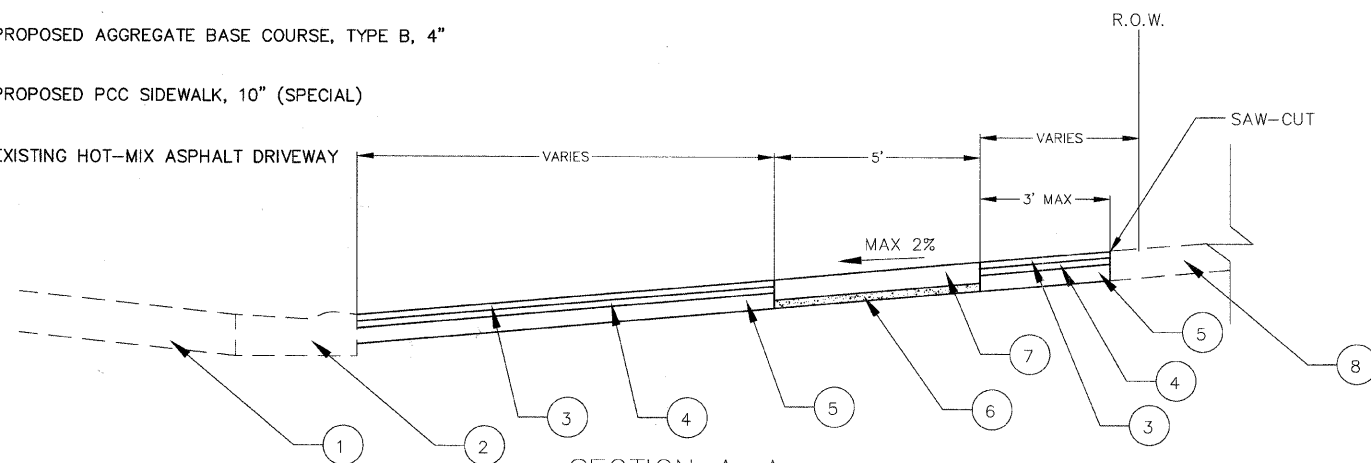
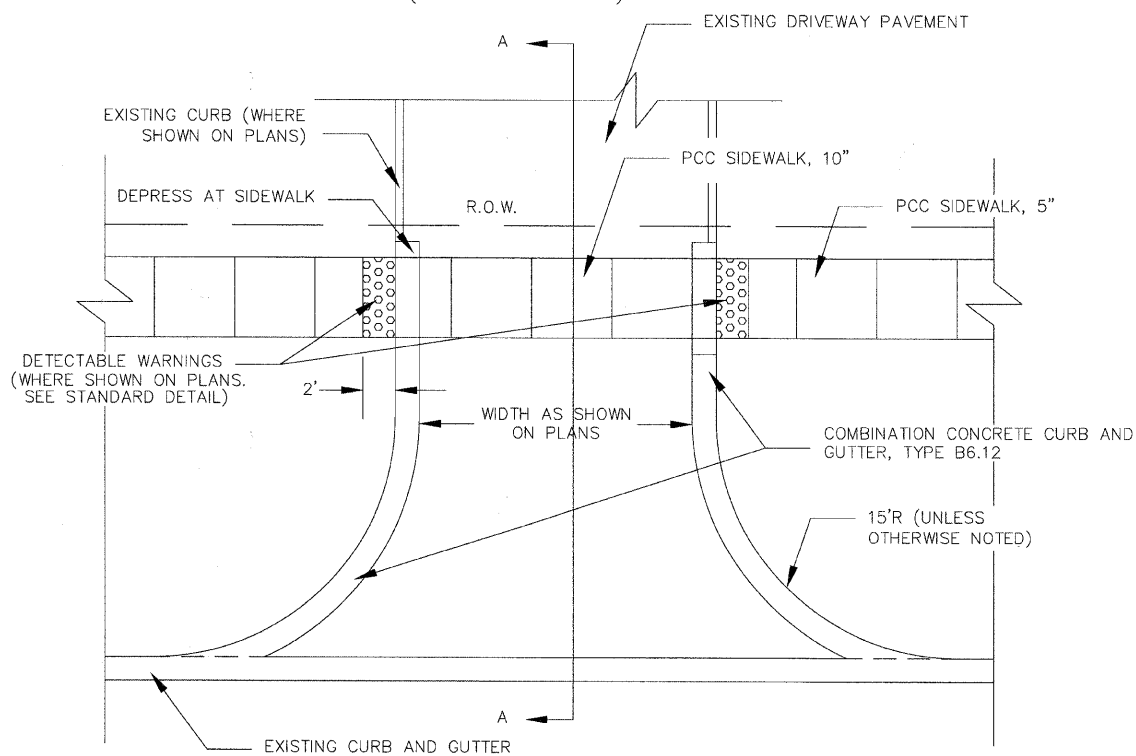


hbe **Hoeffler-Butler Engineering, Inc.**
 Consulting Civil Engineers - Land Surveyors
 PROFESSIONAL DESIGN FIRM LICENSE NO. 084-000819
 874 S. ROBERTS ROAD - HOOVER HILLS, ILLINOIS 60457
 (708) 595-6900 FAX (708) 595-8790

- 1 EXISTING PAVEMENT
- 2 EXISTING CURB AND GUTTER (DEPRESSED)
- 3 PROPOSED HOT-MIX ASPHALT SURFACE COURSE, MIX 'C', N50, 1 1/2" (MIN)
- 4 PROPOSED HOT-MIX ASPHALT (HMA BINDER IL-19mm), 2 1/4"
- 5 PROPOSED AGGREGATE BASE COURSE, TYPE B, 10"
- 6 PROPOSED AGGREGATE BASE COURSE, TYPE B, 4"
- 7 PROPOSED PCC SIDEWALK, 10" (SPECIAL)
- 8 EXISTING HOT-MIX ASPHALT DRIVEWAY



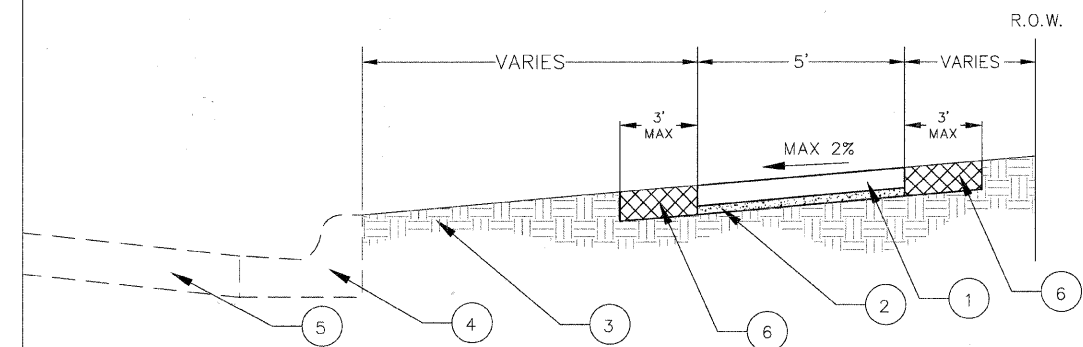
SECTION A-A
 PROPOSED TYPICAL CROSS SECTION
 AT HOT-MIX ASPHALT DRIVEWAYS
 79th ST & ROBERTS RD
 (COMMERCIAL)



PROPOSED HOT-MIX ASPHALT DRIVEWAY DETAIL
 (COMMERCIAL)

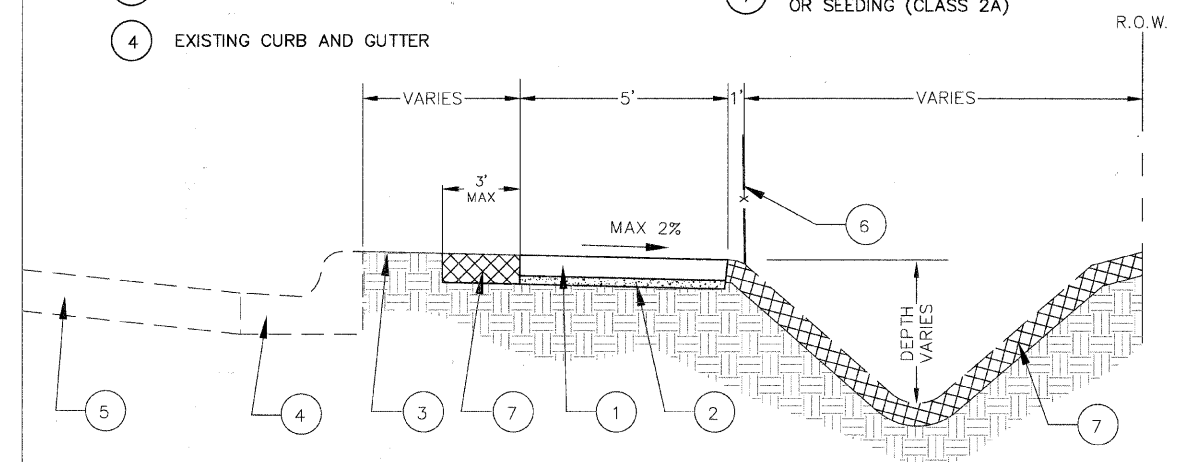
FAU RTEs.	SECTION	COUNTY	TOTAL SHEETS	SHEET NO.
1547, 2757	01-00024-00-SW	COOK	24	5
STA. 09+99		TO STA. 112+83		
FED. ROAD DIST. NO.		ILLINOIS	FED. AID PROJECT	
CONTRACT NO. 63441				

- 1 PROPOSED P.C.C. SIDEWALK, 5"
- 2 PROPOSED AGGREGATE BASE COURSE, TYPE B, 4"
- 3 EXISTING GROUND
- 4 EXISTING CURB AND GUTTER
- 5 EXISTING ROADWAY PAVEMENT
- 6 PROPOSED SODDING (SALT TOLERANT) OR SEEDING (CLASS 2A)



PROPOSED TYPICAL CROSS SECTION
 STA 9+99-10+83; STA 12+88-13+22; STA 24+07-27+59; STA
 32+83-49+09; STA 57+02-112+83

- 1 PROPOSED P.C.C. SIDEWALK, 5"
- 2 PROPOSED AGGREGATE BASE COURSE, TYPE B, 4"
- 3 EXISTING GROUND
- 4 EXISTING CURB AND GUTTER
- 5 EXISTING ROADWAY PAVEMENT
- 6 PROPOSED PIPE HANDRAIL WHERE INDICATED ON PLANS
- 7 PROPOSED SODDING (SALT TOLERANT) OR SEEDING (CLASS 2A)



PROPOSED TYPICAL CROSS SECTION-REVERSE PITCHED SIDEWALK
 STA 11+19-12+60; STA 14+30-15+88; STA 16+24-19+20; STA
 19+59-22+57; STA 27+59-29+19; STA 29+48-32+52; STA
 49+40-55+77; STA 56+07-56+85

REVISIONS		ILLINOIS DEPARTMENT OF TRANSPORTATION	
NO.	DATE	NAME	DATE
1	02/25/10	JMH PER REVIEW	02/25/10
2	05/11/10	FCC PER REVIEW	05/11/10
3	07/01/10	JMH PER REVIEW	07/01/10
4	12/01/10	JMH PER REVIEW	12/01/10
5	03/24/11	JMH PER REVIEW	03/24/11

DATE: 12/03/09
 DRAWN BY: JMH
 CHECKED BY: SAH