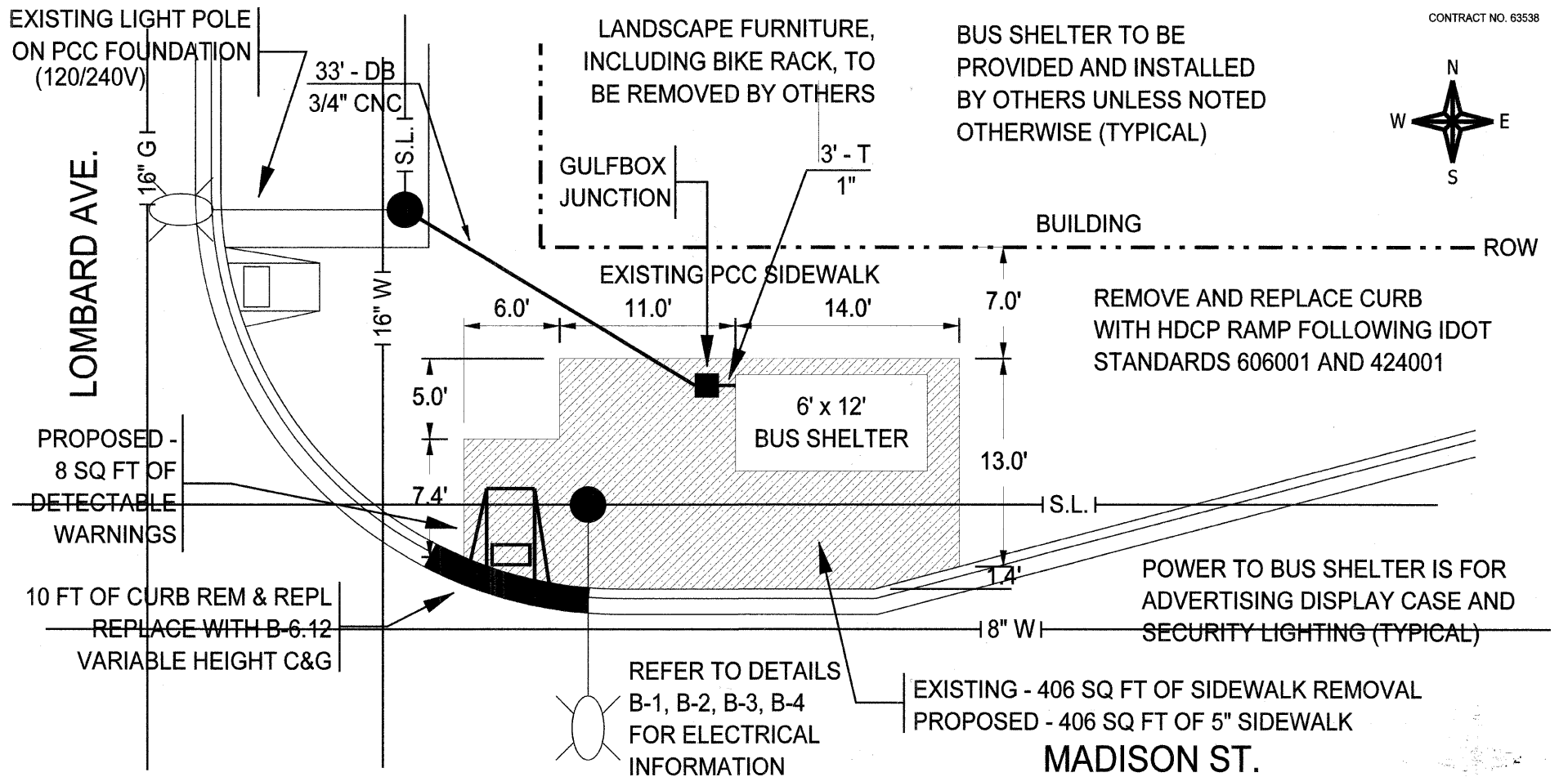
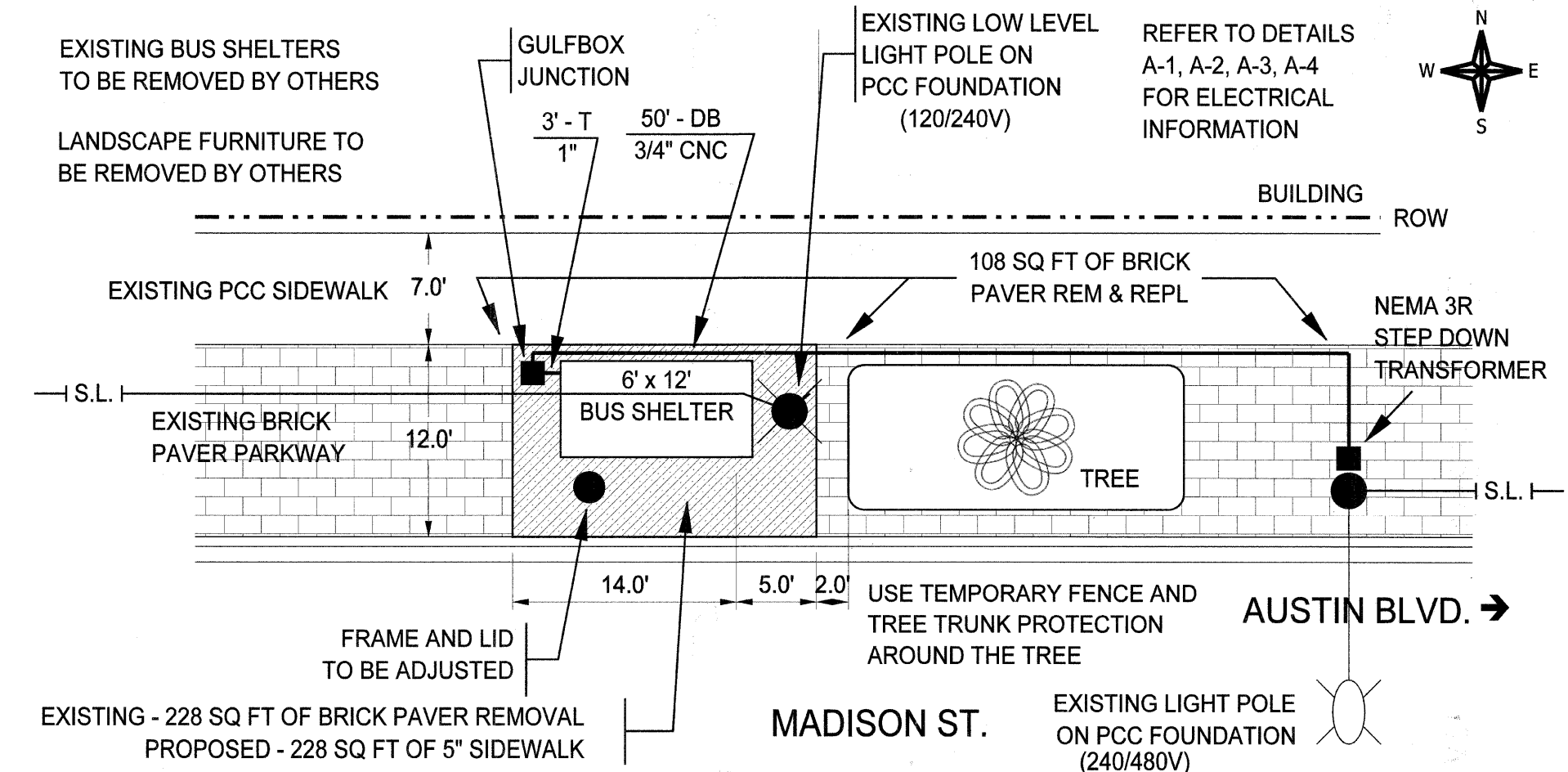




THIS IMAGE IS NOT TO SCALE



THIS IMAGE IS NOT TO SCALE



FILENAME = plan_sheet_6C_rev.dc	USER NAME = KOPERNIAK	DESIGNED BY: KOPERNIAK	REVISED: 03/31/2011		PROPOSED 10. Madison Street at Lombard Avenue 11. Madison Street, west of Austin Boulevard	FAP R/F	SECTION	COUNTY	TOTAL SHEETS	SHEET NO.	
		DRAWN BY: KOPERNIAK	REVISED: 04/11/2011			348	10-00251-00-MS	COOK	16	9	
PLOT SCALE = 1" = 5'		CHECKED BY: BUDRICK	REVISED:			CONTRACT NO. 63538		ILLINOIS FED. AID PROJECT			
PLOT DATE = MAR 1, 2011		DATE: MAR 2, 2011	REVISED:			SCALE:	SHEET NO. OF SHEETS	STA.	TO STA.		