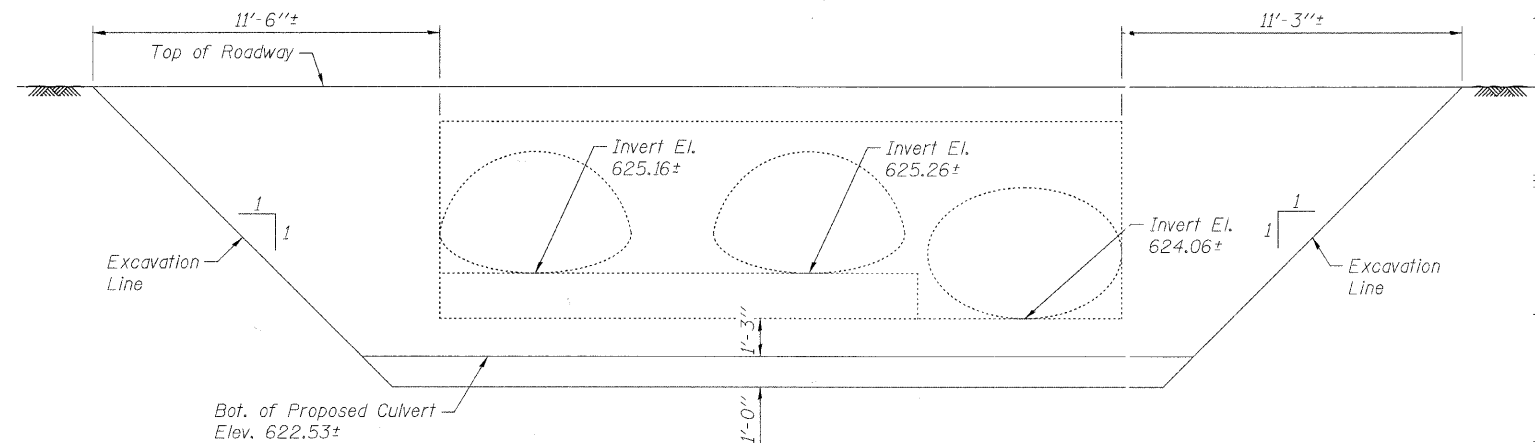
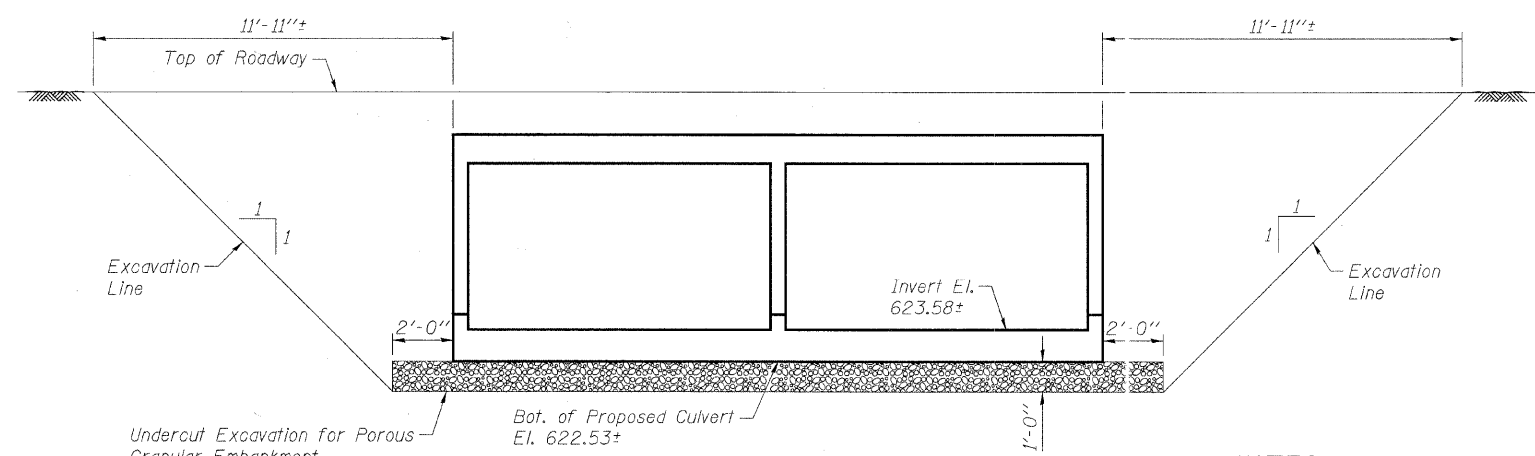
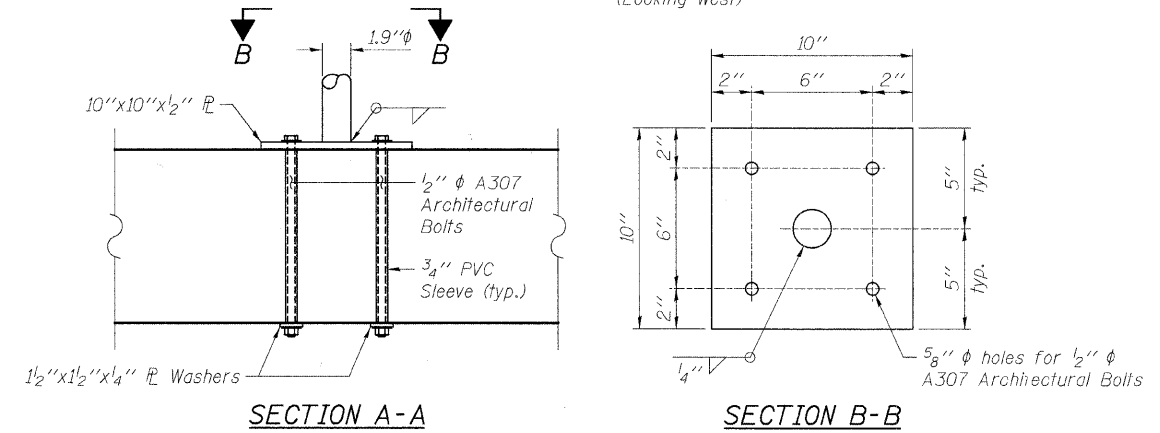


FILE NAME = S:\PROJECTS\2018\1201010\_B Barney Drive\PH\DESIGN\STRUCT\1201010\_02 Construction Staging Details.dgn

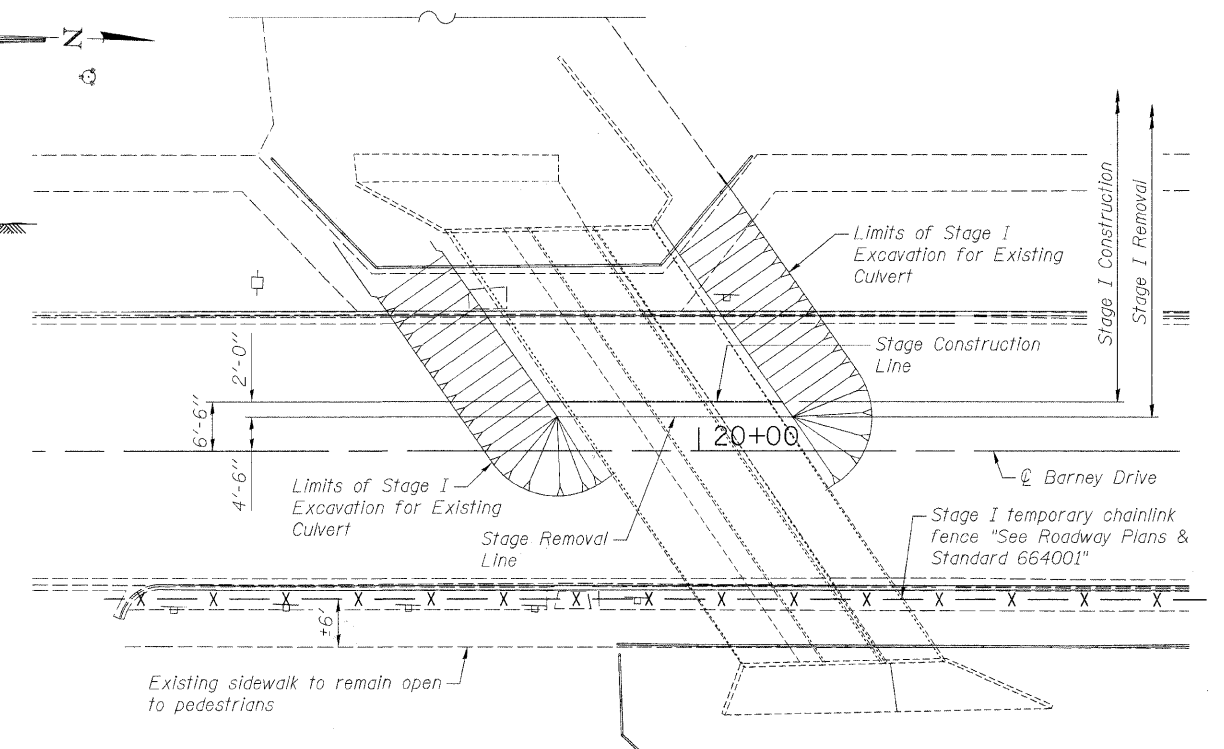


**SECTION - STAGE I REMOVAL**  
Dimensions at Rt. Angles to Barrel Walls  
(Looking West)

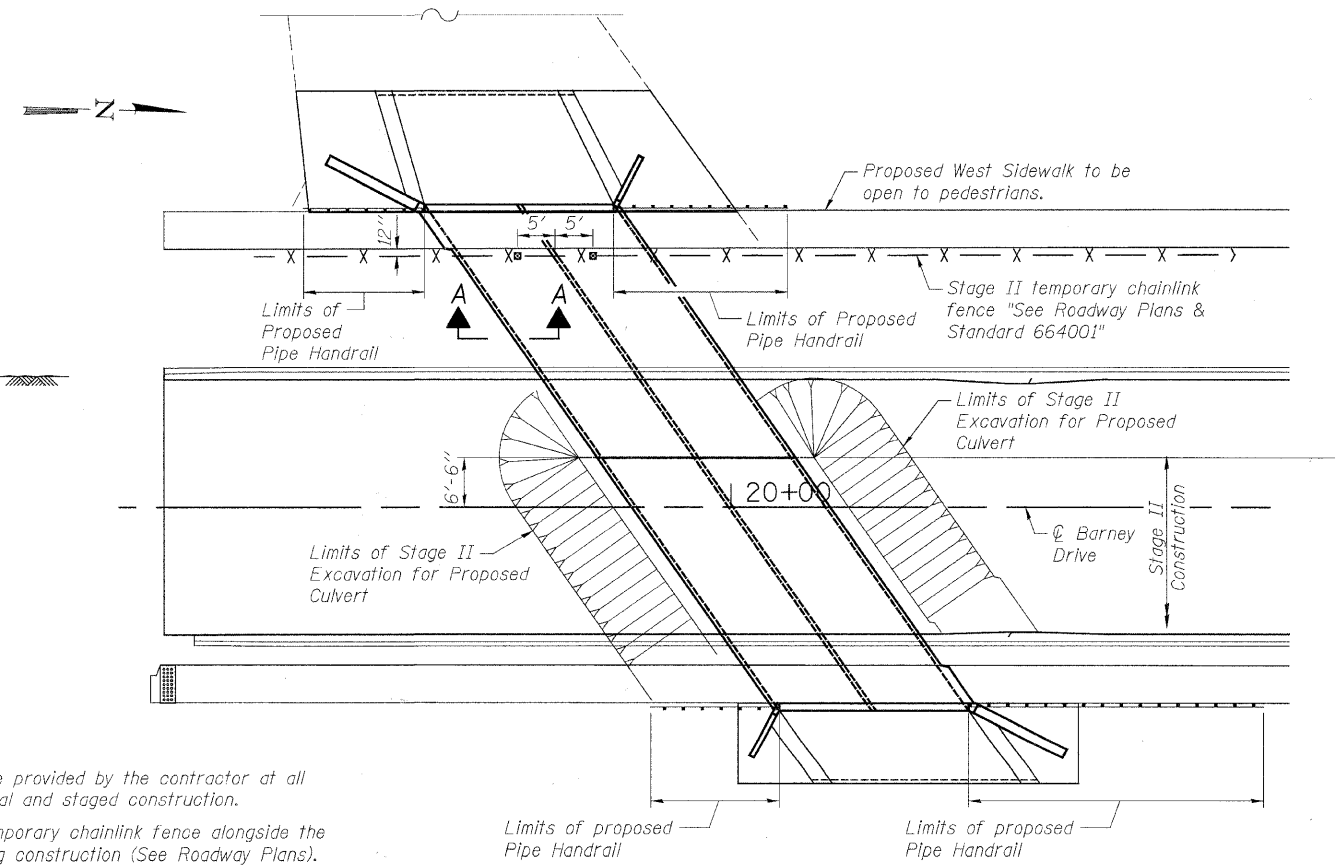


**SECTION - STAGE II CONSTRUCTION**  
Dimensions at Rt. Angles to Barrel Walls  
(Looking West)

**NOTES:**  
Pedestrian access shall be provided by the contractor at all times during staged removal and staged construction.  
Contractor shall install temporary chainlink fence alongside the sidewalk to be open during construction (See Roadway Plans).



**PLAN - STAGE I REMOVAL**



**PLAN - STAGE II CONSTRUCTION**

USER NAME =	DESIGNED - PETER PASCUA	REVISED -
PLOT SCALE =	CHECKED - BRIAN CONVERSE	REVISED -
PLOT DATE =	DRAWN - RON ALLEN	REVISED -
	CHECKED - BRIAN CONVERSE	REVISED -

**ILLINOIS DEPARTMENT OF TRANSPORTATION**  
**BARNEY DRIVE OVER TRIBUTARY OF ROCK RUN**  
**STATION 20+00**

**CONSTRUCTION STAGING DETAILS**  
**STRUCTURE NO. 099-6474**  
STRUCTURAL SHEET NO. 2 OF 11 SHEETS

F.A.U. RTE.	SECTION	COUNTY	TOTAL SHEETS	SHEET NO.
0330	08-00413-00-BR	WILL	33	16
	WHA# 1201010		CONTRACT NO. 63571	
ILLINOIS FED. AID PROJECT BRM-90031621				