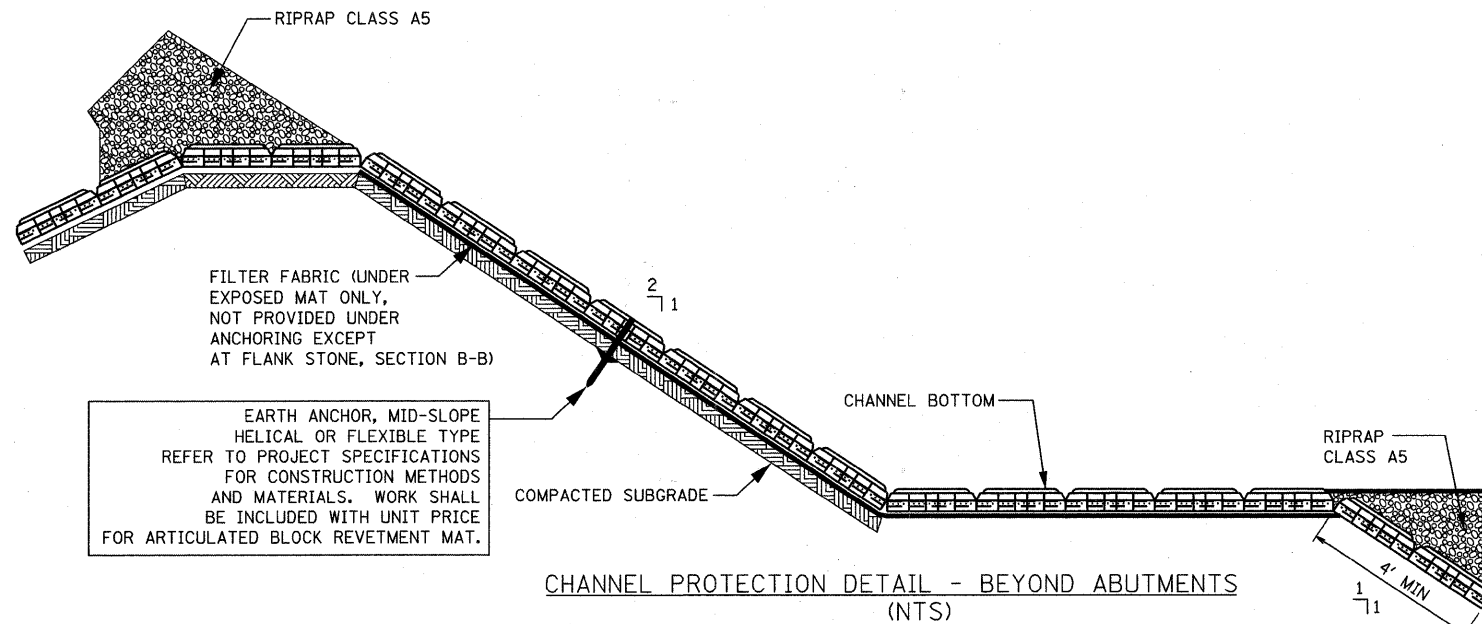
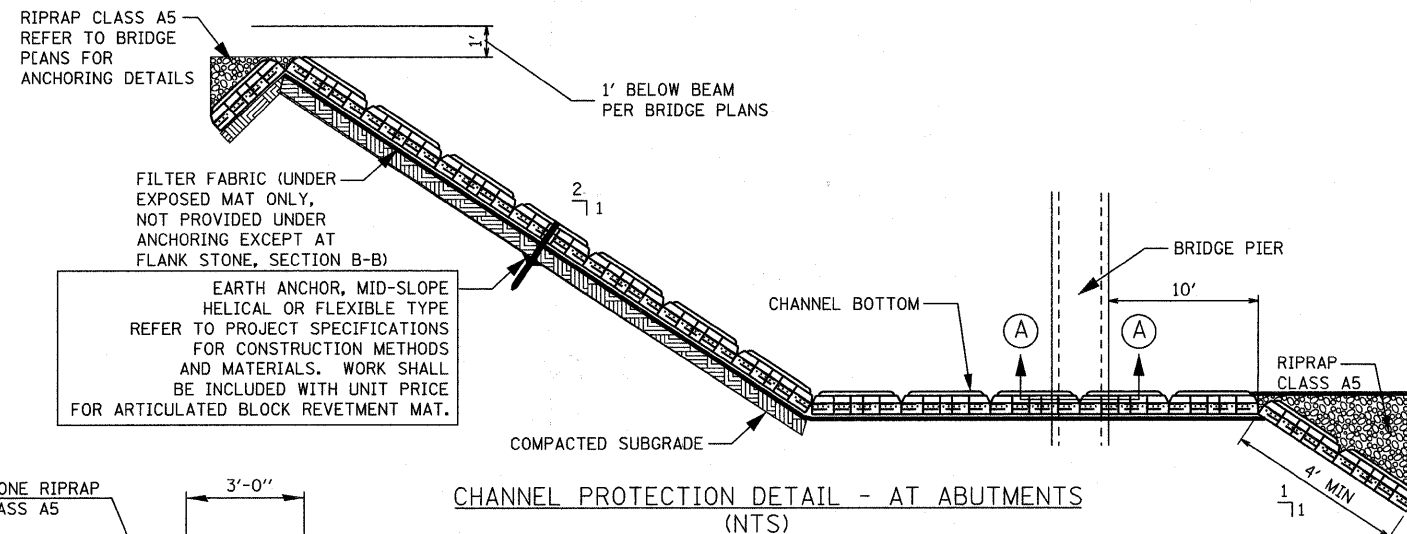


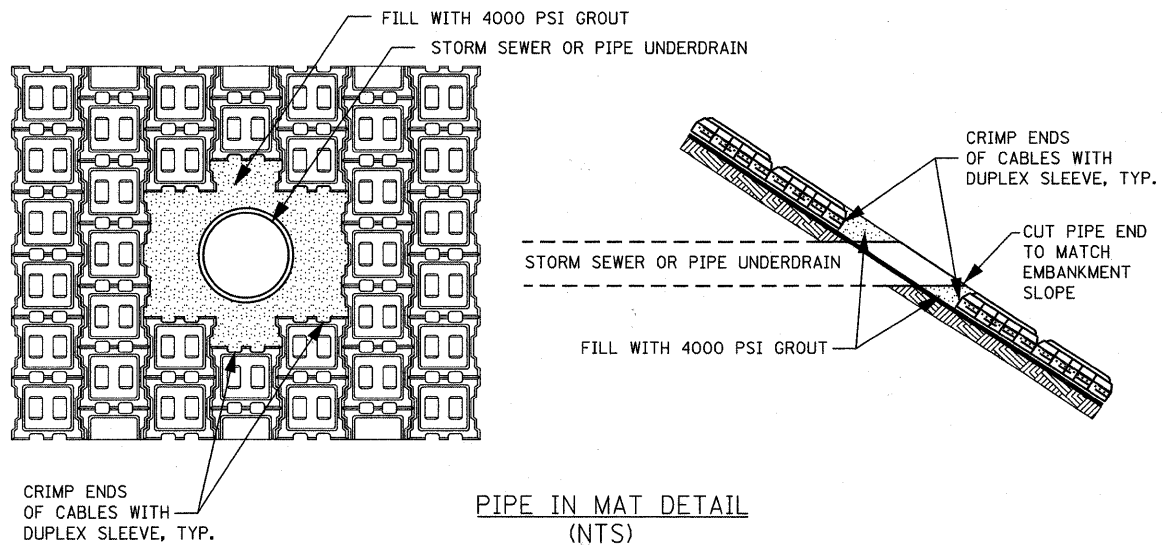
ANCHORING DETAIL - E2 (FROM SHEET 24)
(NTS)



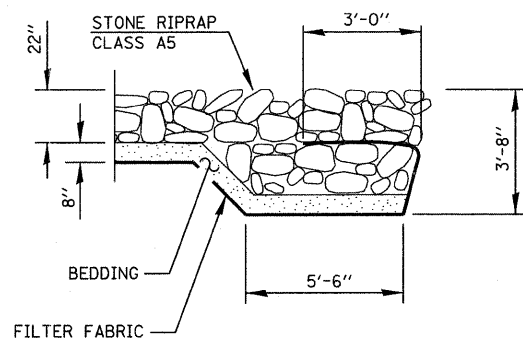
CHANNEL PROTECTION DETAIL - BEYOND ABUTMENTS
(NTS)



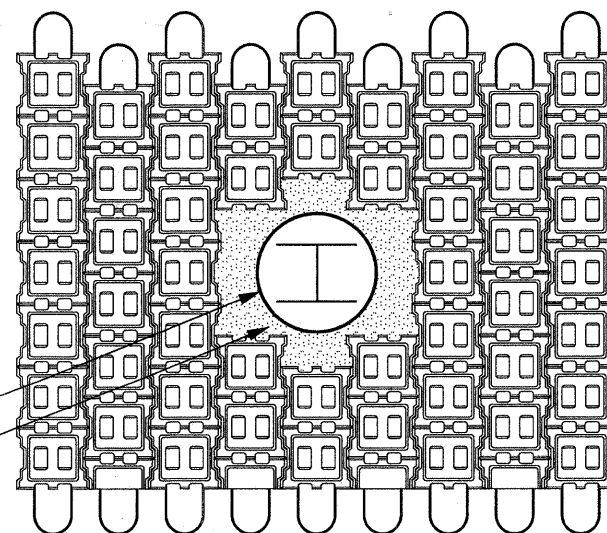
CHANNEL PROTECTION DETAIL - AT ABUTMENTS
(NTS)



PIPE IN MAT DETAIL
(NTS)



SECTION B-B
FLANK STONE
(SEE STRUCTURAL PLANS)



SECTION A-A

FILE NAME: W:\95-010 Blvin Phase II\CADD_Sheets\95-010-01-Rev\revitem3.dgn

B Bollinger, Lach & Associates, Inc.
ITASCA, ILLINOIS

USER NAME = dbrucke1meyer
PLOT SCALE = 20.0000' / IN.
PLOT DATE = 4/6/2011

DESIGNED - DBB
DRAWN - DBB
CHECKED - CRF
DATE - 03-28-11

REVISED -
REVISED -
REVISED -
REVISED -

BLVIN STREET OVER
NIPPERSINK CREEK

REVETMENT MAT DETAILS

SCALE: N.T.S. SHEET NO. 25 OF 69 SHEETS STA. TO STA.

F.A. RTE.	SECTION	COUNTY	TOTAL SHEETS	SHEET NO.
	08-00355-00-BR	MCHENRY	69	25
CONTRACT NO. 63583				
FED ROAD DIST NO. 1 ILLINOIS FED AID PROJECT				