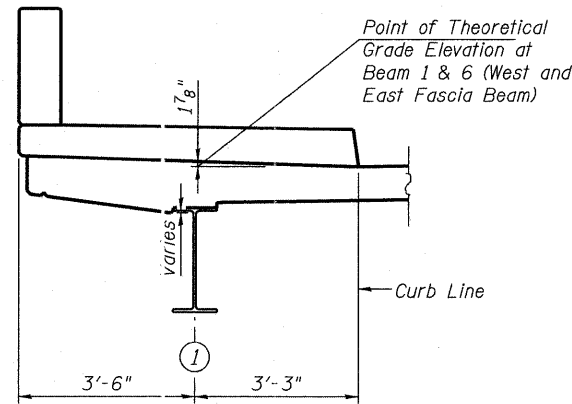


DEAD LOAD DEFLECTION DIAGRAM

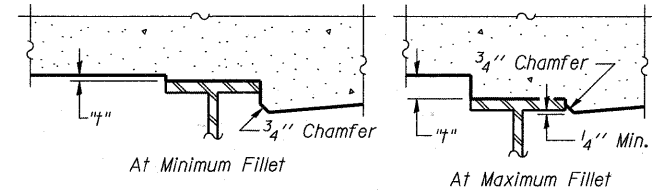
(Includes weight of concrete only.)

Note:

The above deflections are not to be used in the field if the engineer is working from the grade elevations adjusted for dead load deflections as shown below and on Sheet 4 of 28.

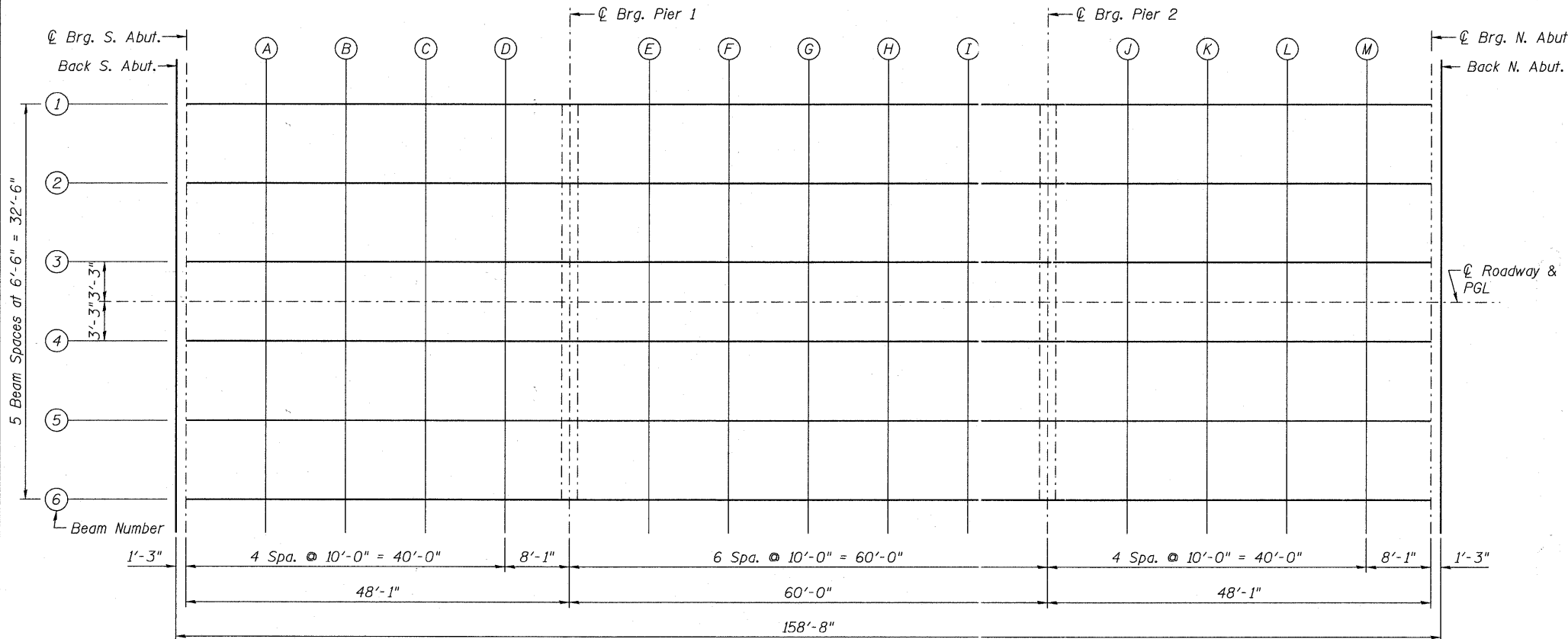


SECTION THRU SIDEWALK



To determine "t": After all structural steel has been erected, elevations of the top flanges of the beams shall be taken at intervals shown on Sheets 3 and 4. These elevations subtracted from the "Theoretical Grade Elevations Adjusted for Dead Load Deflection" shown below, minus slab thickness, equals the fillet heights "t" above top flange of beams.

FILLET HEIGHTS



PLAN

BEAM #1

Location	Station	Offset	Theoretical Grade Elevations	Theoretical Grade Elevations Adjusted For Dead Load Deflection
Back of South Abut.	212+23.86	-16.25	768.27	768.27
CL South Abut.	212+25.11	-16.25	768.23	768.23
A	212+35.11	-16.25	767.92	767.94
B	212+45.11	-16.25	767.61	767.64
C	212+55.11	-16.25	767.30	767.32
D	212+65.11	-16.25	766.98	766.99
CL Brg. Pier 1	212+73.19	-16.25	766.73	766.73
E	212+83.19	-16.25	766.42	766.44
F	212+93.19	-16.25	766.11	766.14
G	213+03.19	-16.25	765.80	765.84
H	213+13.19	-16.25	765.48	765.52
I	213+23.19	-16.25	765.17	765.19
CL Brg. Pier 2	213+33.19	-16.25	764.86	764.86
J	213+43.19	-16.25	764.55	764.56
K	213+53.19	-16.25	764.24	764.26
L	213+63.19	-16.25	763.92	763.96
M	213+73.19	-16.25	763.61	763.63
CL North Abut.	213+81.28	-16.25	763.36	763.36
Back of North Abut.	213+82.53	-16.25	763.32	763.32

FILE NAME = M:\755-210 Blivin Phase II\CADD_Sheets\Structural\755-210_SHT-28_Top of Slab.dgn

	USER NAME = gonzalo	DESIGNED - SRT	REVISED -	McHENRY COUNTY DIVISION OF TRANSPORTATION BLIVIN STREET OVER NIPPERSINK CREEK	TOP OF SLAB ELEVATIONS STRUCTURE NO. 056-3191		F.A. RTE.	SECTION	COUNTY	TOTAL SHEETS	SHEET NO.
	PLOT SCALE =	CHECKED - JJI	REVISED -		SCALE: SHEET NO. 3 OF 28 SHEETS STA. TO STA.		08-00355-00-BR	MCHENRY	69	28	
	PLOT DATE = 3/25/2011	CHECKED - JJI	REVISED -			CONTRACT NO. 63583		ILLINOIS FED. AID PROJECT			