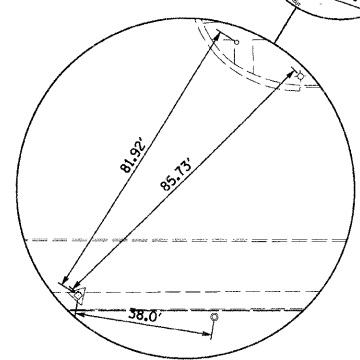
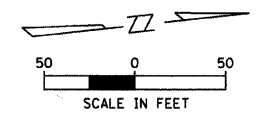


ELEVATION BENCHMARKS DATUM: NAVD '88		
NO.	DESCRIPTION	ELEV.
MON 706	WILL COUNTY GPS MONUMENT #706 AT THE SOUTHEAST CORNER OF GAYLORD RD. - CEDARWOOD DR. & THEODORE ST.	587.02
OSBM 1	SQUARE CUT ON SOUTHEAST CORNER OF TRAFFIC CONTROL BOX AT SOUTHWEST CORNER OF CEDARWOOD DR. & THEODORE ST.	586.94
OSBM 2	NORTHEAST CORNER OF CONC. PAD FOR ELECTRIC TRANSFORMER ON WEST SIDE OF CEDARWOOD DR. AT E OF BICENTENNIAL DR.	620.08
OSBM 3	NORTHEAST CORNER OF CONC. STOOP OF 2451 RED OAK TRAIL AT SOUTHWEST CORNER WITH CEDARWOOD DR.	624.36

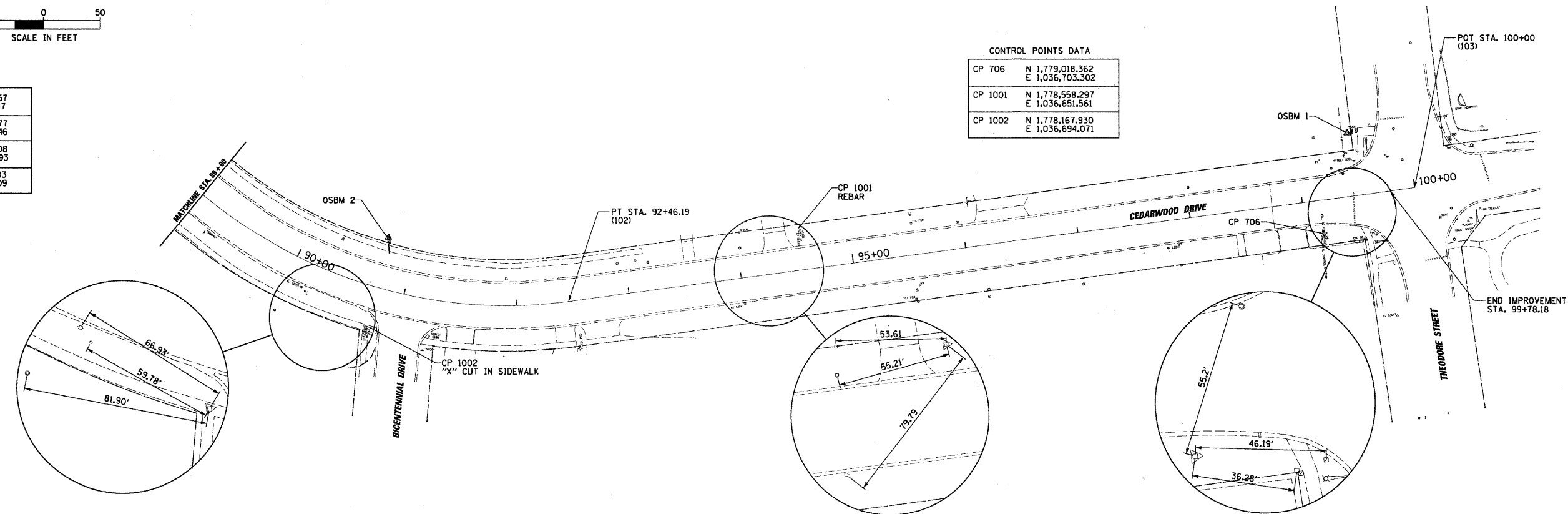


CONTROL POINTS DATA		
CP 1003	N 1,777,856.963 E 1,036,312.516	
CP 1004	N 1,777,543.489 E 1,036,076.293	



ALIGNMENT DATA		
POT. 100	N 1,777,082.457 E 1,035,519.247	
PC. 101	N 1,778,030.377 E 1,036,555.346	
PT. 102	N 1,778,348.508 E 1,036,690.693	
POT. 103	N 1,779,102.083 E 1,036,671.609	

CONTROL POINTS DATA		
CP 706	N 1,779,018.362 E 1,036,703.302	
CP 1001	N 1,778,558.297 E 1,036,651.561	
CP 1002	N 1,778,167.930 E 1,036,694.071	



FILE NAME =	USER NAME = CMCCOLLO	DESIGNED -	REVISED -
MACRESTHILL\100397\CV\1\BNH.100397.DGN		DRAWN -	REVISED -
		CHECKED -	REVISED -
		DATE -	REVISED -

**STATE OF ILLINOIS
DEPARTMENT OF TRANSPORTATION**

**ALIGNMENTS, TIES, AND BENCHMARKS
CEDARWOOD DRIVE, CREST HILL**

SCALE: SHEET NO. 1 OF 1 SHEETS STA. 76+00 TO STA. 100+00

F.A. RTE.	SECTION	COUNTY	TOTAL SHEETS	SHEET NO.
328	10-00040-00-PV	WILL	31	4
CONTRACT NO. 63586			ILLINOIS FED. AID PROJECT	