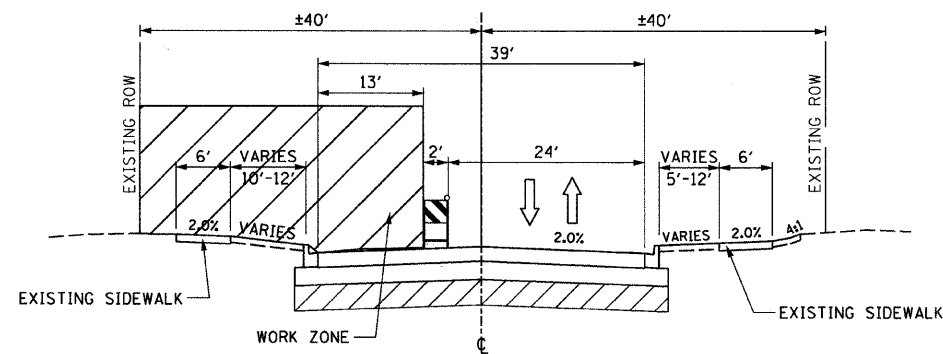
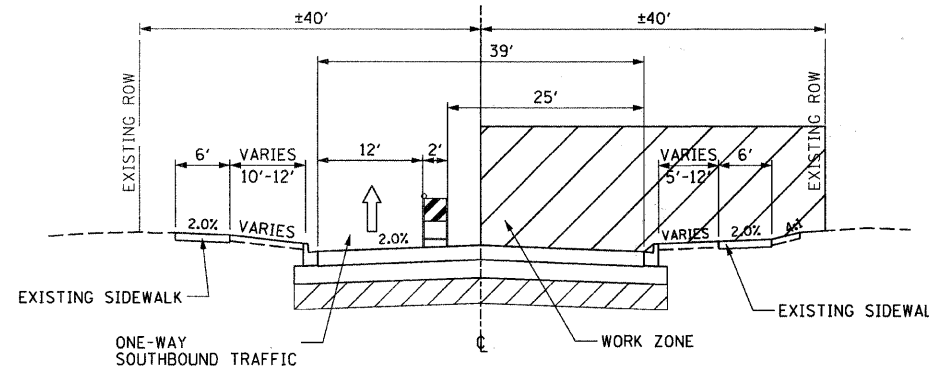


MAINTENANCE OF TRAFFICE, STAGES, AND ALTERNATIVES

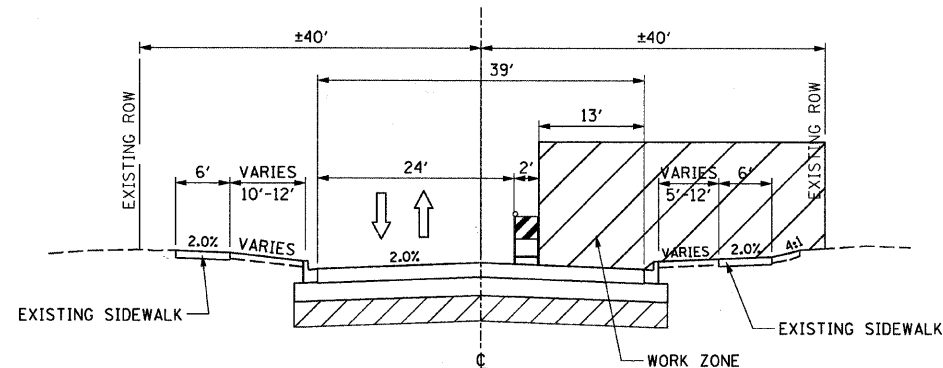


MAINTENANCE OF TRAFFIC - STAGE 1A

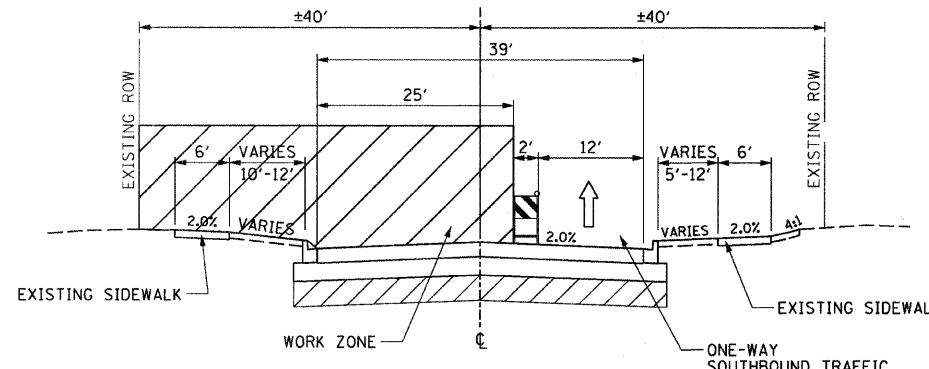


MAINTENANCE OF TRAFFIC - STAGE 2

ONE LANE, ONE-WAY SOUTHBOUND
DURING MILL AND OVERLAY OF 4-5" HMA PAVEMENT



MAINTENANCE OF TRAFFIC - STAGE 1B




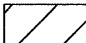

MAINTENANCE OF TRAFFIC - STAGE 3

ONE LANE, ONE-WAY SOUTHBOUND
DURING MILL AND OVERLAY OF 4-5" HMA PAVEMENT

MAINTENANCE OF TRAFFIC - GENERAL NOTES

1. THE CONTRACTOR SHALL NOTIFY THE CITY OF CREST HILL TEN (10) DAYS PRIOR TO THE ESTIMATED DATE THAT THE ROADWAY WILL BE READY FOR THE APPLICATION OF PERMANENT PAVEMENT MARKING. IT SHALL BE THE CONTRACTOR'S RESPONSIBILITY TO HAVE THE ROADWAY CLEANED OF ANY DIRT, GRAVEL, OIL, ETC. ON THE DAY PAVEMENT MARKINGS ARE APPLIED.
2. BARRICADE MINIMUM SPACING: 50' C-C TANGENT SECTION, 20' C-C SHIFTS, DROPS AND IN MEDIANS, 15' C-C AT CORNERS, OR AS SHOWN ON HIGHWAY STANDARDS.
3. ALL SIGNAGE TO BE IN ACCORDANCE WITH MUTCD. SUGGESTED MAINTENANCE OF TRAFFIC SHOWN IS MINIMUM REQUIRED; CONTRACTOR SHALL PROVIDE ADDITIONAL TRAFFIC CONTROL MEASURES AS DIRECTED BY RESIDENT ENGINEER. THIS WORK WILL BE INCLUDED IN THE COST OF TRAFFIC CONTROL AND PROTECTION (SPECIAL).
4. PROPOSED CURB AND GUTTER AND STORM SEWER IMPROVEMENTS, ON THE SAME SIDE, SHALL BE CONSTRUCTED SIMULTANEOUSLY.
5. ANTICIPATED CONSTRUCTION PHASING:
 STAGE 1A: STORM SEWER AND CURB AND GUTTER WORK (WEST SIDE)
 STAGE 1B: STORM SEWER AND CURB AND GUTTER WORK (EAST SIDE)
 STAGE 2: MILL AND OVERLAY (EAST SIDE)
 STAGE 3: MILL AND OVERLAY (WEST SIDE)
 STAGE 4: SURFACE COURSE, STRIPING, AND RESTORATION

LEGEND

-  STANDARD TRAFFIC CONTROL DEVICES, BARRICADE OR DRUM
-  WORK ZONE
-  DIRECTION OF TRAFFIC

FILE NAME = N:\CRESTHILL\100397\CVI\MOT_1.100397.DGN	USER NAME = CMCCOLLO	DESIGNED -	REVISED -
		DRAWN -	REVISED -
	PLOT SCALE = 1"	CHECKED -	REVISED -
	PLOT DATE = 3/25/2011	DATE -	REVISED -

**STATE OF ILLINOIS
DEPARTMENT OF TRANSPORTATION**

**MAINTENANCE OF TRAFFIC
CEDARWOOD DRIVE, CREST HILL**

SCALE: SHEET NO. 1 OF 2 SHEETS STA. TO STA.

F.A. RTE.	SECTION	COUNTY	TOTAL SHEETS	SHEET NO.
328	10-00040-00-PV	WILL	31	7
CONTRACT NO. 63586				
ILLINOIS FED. AID PROJECT				