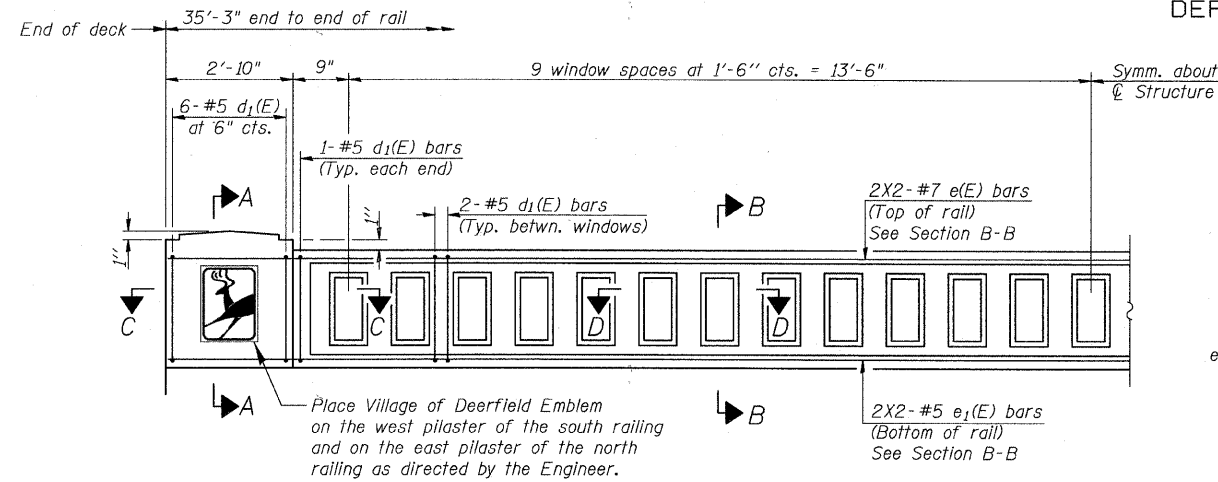
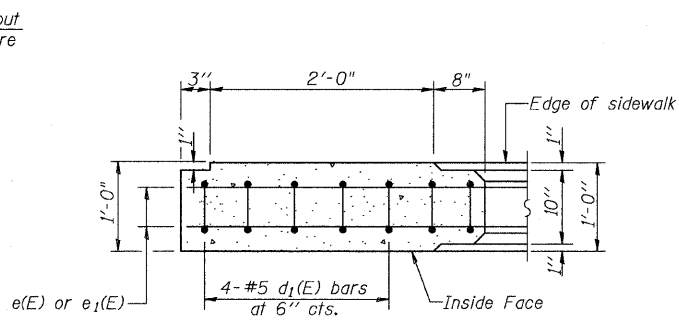


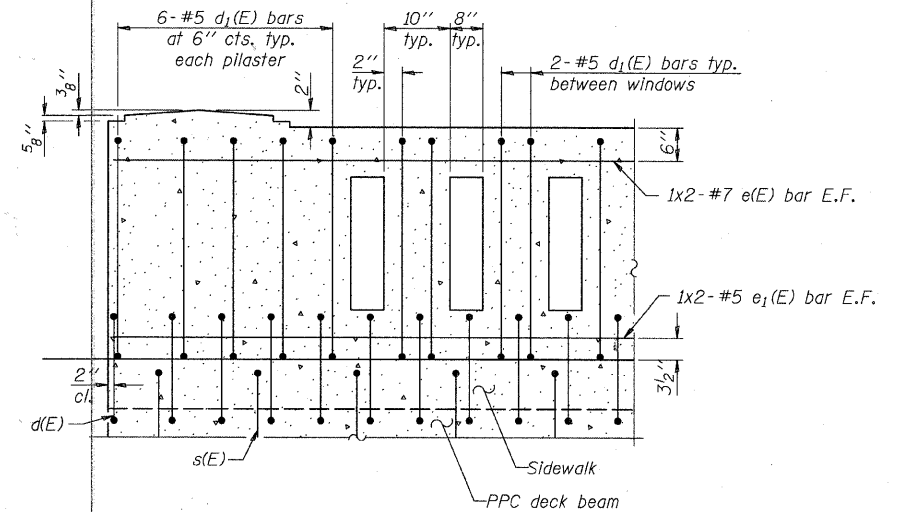
STATE OF ILLINOIS
DEPARTMENT OF TRANSPORTATION



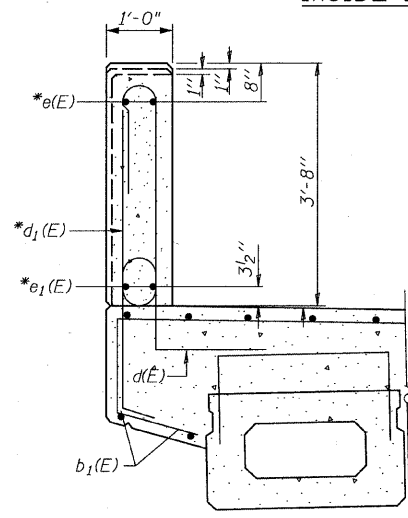
INSIDE ELEVATION OF RAIL



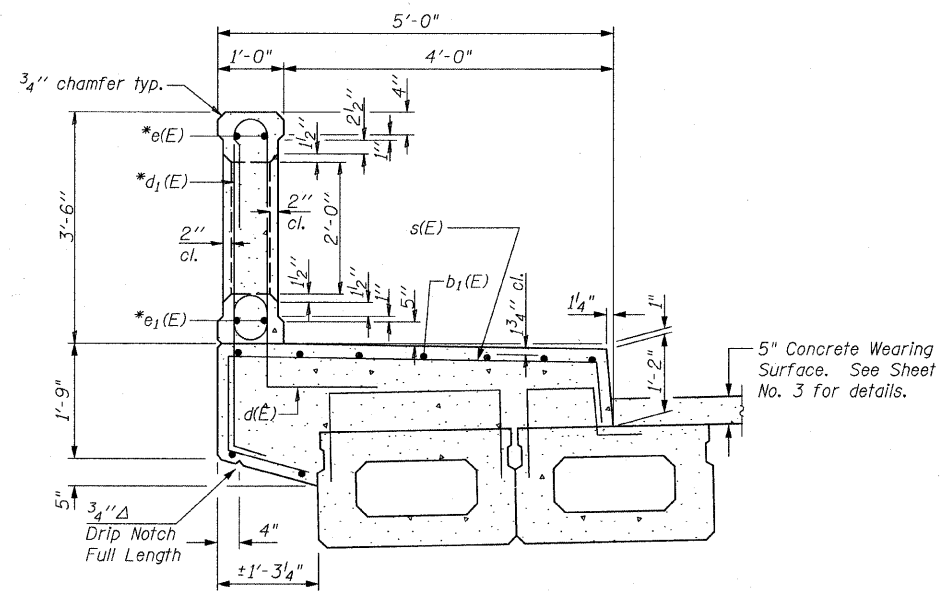
SECTION C-C



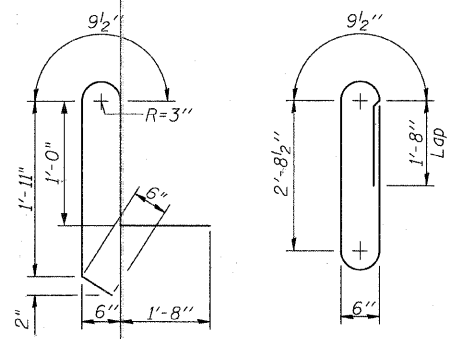
TYPICAL REINFORCEMENT PLACEMENT (Inside Face)



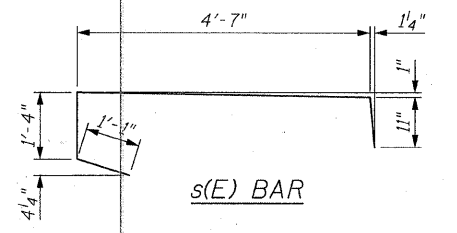
SECTION A-A



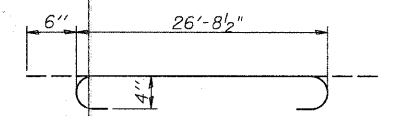
SECTION B-B



BAR d(E) BAR d₁(E)



s(E) BAR



a(E) BAR

MINIMUM BAR LAP
(Concrete Bridge Rail Bar Lap)
#5 Bar = 1'-8"
#7 Bar = 2'-9"

SUPERSTRUCTURE
BILL OF MATERIAL

Bar	No.	Size	Length	Shape	
d(E)	35	#4	27'-8 1/2"	↔	
b(E)	27	#4	33'-11"	—	
b ₁ (E)	18	#5	33'-11"	—	
d(E)	78	#5	6'-0 1/2"	⊥	
s(E)	74	#5	7'-11"	↔	
Reinforcement Bars, Epoxy Coated				Pound	2980
Concrete Superstructure				Cu. Yds.	18.1
Bridge Deck Grooving				Sq. Yds.	88
Protective Coat				Sq. Yds.	241
Concrete Wearing Surface, 5"				Sq. Yds.	99
Concrete Bridge Railing, Sidewalk Mounted				Foot	71
Bar Splicers				Each	54

* See Special Provisions

RAILING BAR LIST
ONLY ONE RAILING
(For Information Only)

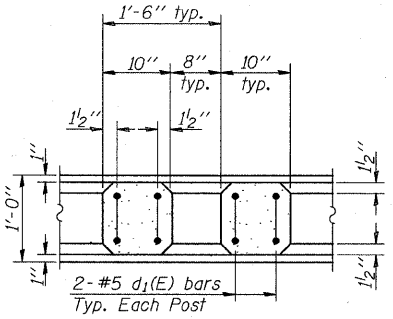
Bar	No.	Size	Length	Shape
d ₁ (E)	50	#5	8'-8"	↔
e(E)	4	#7	35'-0"	—
e ₁ (E)	4	#5	35'-0"	—

*Bars e(E) thru e₁(E) and d₁(E) are included in the cost of Concrete Bridge Railing, Sidewalk Mounted.

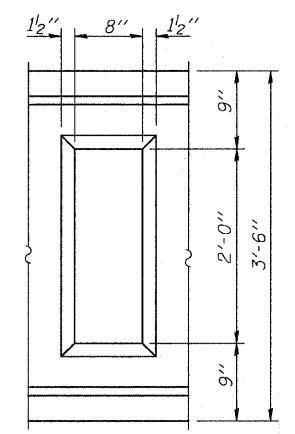
Notes:

- All concrete for railing wall shall be Class BS according to Article 1020.04 of the Standard Specifications. Surface of railing shall receive a rubbed finish according to Article 503.15(b) of the Standard Specifications.
- All parts of the railing including concrete and reinforcing will be paid for at the contract unit price per foot for Concrete Bridge Railing, Sidewalk Mounted.
- Holes and recesses must be formed or cored. Drilling is not permitted.
- All Construction joints shall be bonded unless otherwise noted.
- Work this sheet with Sheet No. 3.

DESIGNED	L. LAWS
CHECKED	J. BUCHOLC
DRAWN	L. LAWS
CHECKED	J. BUCHOLC



SECTION D-D



WINDOW DETAIL

URS
100 South Wacker Drive, Suite 500
Chicago, IL 60606
Tel: 312.939.1000
Fax: 312.939.4198

SUPERSTRUCTURE & RAILING DETAILS
STRUCTURE NO. 049-6153

SHEET NO. 4 10 SHEETS	F.A.U. RTE.	SECTION	COUNTY	TOTAL SHEETS	SHEET NO.
		09-00084-00-BR	LAKE	16	10
CONTRACT NO. 63587					
FED. ROAD DIST. NO. _ ILLINOIS FED. AID PROJECT					