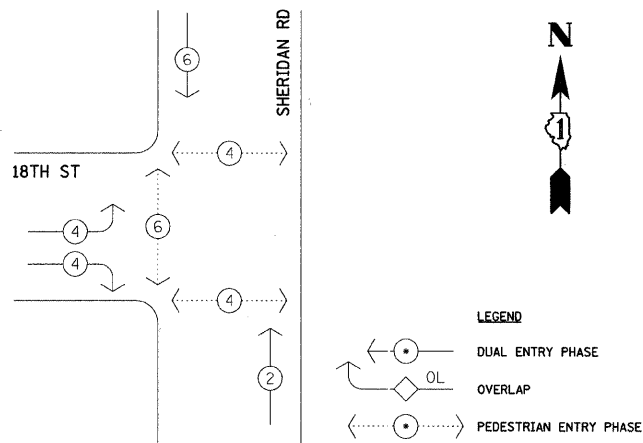
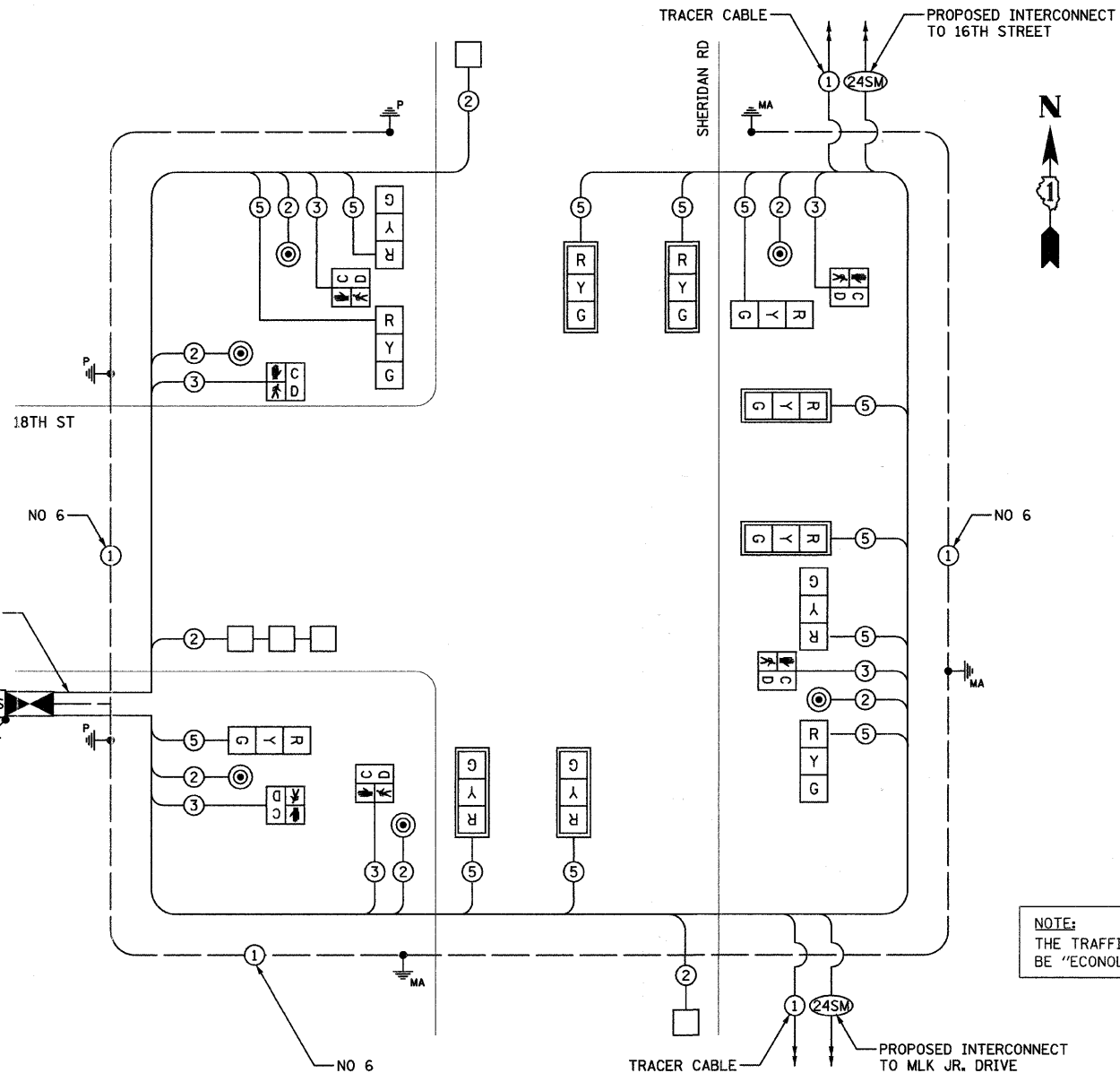


CONTROLLER SEQUENCE



PHASE DESIGNATION DIAGRAM

PROPOSED CABLE PLAN



NOTE:
THE TRAFFIC SIGNAL CONTROLLER EQUIPMENT FOR THIS PROJECT SHALL BE "ECONOLITE" TO MATCH THE EXISTING ADJACENT CONTROLLER.

NOTE:
EQUIPMENT GROUND CONDUCTOR (GREEN COLOR CODED) SPLICE TO FRAME AND COVER IS REQUIRED FOR ALL HANDHOLES OR DOUBLE HANDHOLES THAT CARRY SIGNAL CABLES AND SERVICE CABLES.

I.D.O.T TRAFFIC SIGNAL INSTALLATION ELECTRICAL SERVICE REQUIREMENTS					TOTAL WATTAGE
TYPE	NO. LAMPS	WATTAGE (INCAND.)	WATTAGE LED	% OPERATION	
SIGNAL (RED)	12	17	0.50	102.00	
(YELLOW)	12	25	0.25	75.00	
(GREEN)	12	15	0.25	45.00	
ARROW	0	12	0.10	0.00	
PED. SIGNAL	6	25	1.00	150.00	
CONTROLLER	1	100	1.00	100.00	
TOTAL = 472.00					

ENERGY COSTS TO: ILLINOIS DEPARTMENT OF TRANSPORTATION
201 WEST CENTER COURT
SCHAUMBURG, ILLINOIS 60196-1096
CONTACT: CRAIG WEBER
PHONE: (630) 437-3313
COMPANY: CQM, ED.

SCHEDULE OF QUANTITIES

DESCRIPTION	UNIT	QUANTITY
SIGN PANEL - TYPE 1	SQ FT	21
THERMOPLASTIC PAVEMENT MARKING - LINE 4"	FOOT	100
SERVICE INSTALLATION - POLE MOUNTED	EACH	1
CONDUIT IN TRENCH, 2 1/2" DIA., GALVANIZED STEEL	FOOT	30
CONDUIT IN TRENCH, 3" DIA., GALVANIZED STEEL	FOOT	30
CONDUIT IN TRENCH, 4" DIA., GALVANIZED STEEL	FOOT	20
CONDUIT PUSHED, 2" DIA., GALVANIZED STEEL	FOOT	605
CONDUIT PUSHED, 3" DIA., GALVANIZED STEEL	FOOT	75
CONDUIT PUSHED, 4" DIA., GALVANIZED STEEL	FOOT	120
HANDHOLE	EACH	4
DOUBLE HANDHOLE	EACH	1

FOUNDATION (DEPTH)	FT. (m)	CABLE SLACK	FT. (m)	FT. (m)
TYPE A - POST	4 (1.2)	HANDHOLE	6.5 (2.0)	ALL FOUNDATIONS
D - CONTROLLER	4 (1.2)	DOUBLE HANDHOLE	13 (4.0)	MAST ARM (L) POLE
E - M. ARM POLE	10 (3.0)	SIGNAL POST	2 (0.5)	20' H.-2" (6m H.-0.6m)
24" (600mm)	10 (3.0)	CONTROLLER CAB.	1 (0.5)	BRACKET MOUNTED
30" (750mm)	15 (4.6)	FIBER OPTIC	13 (4.0)	PED. PUSHBUTTON
		ELECTRIC SERVICE	1 (0.5)	ELECTRIC SERVICE
		GROUND CABLE	1 (0.5)	SERVICE TO GROUND
				POST MOUNTED

DESCRIPTION	UNIT	QUANTITY
TRENCH AND BACKFILL FOR ELECTRICAL WORK	FOOT	80
FULL-ACTUATED CONTROLLER AND TYPE IV CABINET, SPECIAL	EACH	1
UNINTERRUPTIBLE POWER SUPPLY	EACH	1
ELECTRIC CABLE IN CONDUIT, SIGNAL NO. 14 2C	FOOT	600
ELECTRIC CABLE IN CONDUIT, SIGNAL NO. 14 3C	FOOT	650
ELECTRIC CABLE IN CONDUIT, SIGNAL NO. 14 5C	FOOT	1600
ELECTRIC CABLE IN CONDUIT, LEAD-IN, NO. 16 1 PAIR	FOOT	380
ELECTRIC CABLE IN CONDUIT, LEAD-IN, NO. 16 3 PAIR	FOOT	360
ELECTRIC CABLE IN CONDUIT, SERVICE, NO. 6 2 C	FOOT	110
ELECTRIC CABLE IN CONDUIT, EQUIPMENT GROUNDING CONDUCTOR, NO. 6 1 C	FOOT	750
TRAFFIC SIGNAL POST, 10 FT.	EACH	1
TRAFFIC SIGNAL POST, 14 FT.	EACH	2
STEEL MAST ARM ASSEMBLY AND POLE, 22 FT.	EACH	1
STEEL MAST ARM ASSEMBLY AND POLE, 24 FT.	EACH	1
STEEL MAST ARM ASSEMBLY AND POLE, 28 FT.	EACH	1
CONCRETE FOUNDATION, TYPE A	FOOT	12
CONCRETE FOUNDATION, TYPE C	FOOT	4
CONCRETE FOUNDATION, TYPE E 30-INCH DIAMETER	FOOT	30

DESCRIPTION	UNIT	QUANTITY
SIGNAL HEAD, LED, 1-FACE, 3-SECTION, MAST-ARM MOUNTED	EACH	6
SIGNAL HEAD, LED, 1-FACE, 3-SECTION, BRACKET MOUNTED	EACH	2
SIGNAL HEAD, LED, 2-FACE, 3-SECTION, BRACKET MOUNTED	EACH	2
PEDESTRIAN SIGNAL HEAD, LED, 1-FACE, BRACKET MOUNTED WITH COUNTDOWN TIMER	EACH	6
TRAFFIC SIGNAL BACKPLATE, LOUVERED, ALUMINUM	EACH	6
DETECTOR LOOP, TYPE 1	FOOT	230
PEDESTRIAN PUSH-BUTTON	EACH	6
TEMPORARY TRAFFIC SIGNAL INSTALLATION	EACH	1
REMOVE ELECTRIC CABLE FROM CONDUIT	FOOT	2500
REMOVE EXISTING TRAFFIC SIGNAL EQUIPMENT	EACH	1
REMOVE EXISTING HANDHOLE	EACH	2
REMOVE EXISTING DOUBLE HANDHOLE	EACH	1
REMOVE EXISTING CONCRETE FOUNDATION	EACH	7
PORTLAND CEMENT CONCRETE SIDEWALK 5 INCH, SPECIAL	SQ FT	300
TEST HOLE	EACH	11
LAYER II (DATALINK) SWITCH	EACH	1
TEMPORARY TRAFFIC SIGNAL TIMING	EACH	1

Ciorba Group, Inc.
CONSULTING ENGINEERS
5507 North Cumberland Avenue, Suite 402
Chicago, Illinois 60656
Tel. 773.775.4009 Fax 773.775.4014

DESIGNED - RJR	REVISED -
DRAWN - RJR	REVISED -
CHECKED - JMV	REVISED -
DATE - 03/22/2011	REVISED -

**STATE OF ILLINOIS
DEPARTMENT OF TRANSPORTATION**

**CABLE PLAN, PHASE DESIGNATION DIAGRAM,
SCHEDULE OF QUANTITIES**
SHERIDAN ROAD AT 18TH STREET

F.A.P. RTE. 2736	SECTION 09-00169-00-TL	COUNTY LAKE	TOTAL SHEETS 35	SHEET NO. 8
CONTRACT NO. 63592			ILLINOIS FED. AID PROJECT	

FILE NAME: N:\A\PROJ\5175\Design\VP\ProposedPlan\5175-08_Signal_18th_Cab.apr.dgn