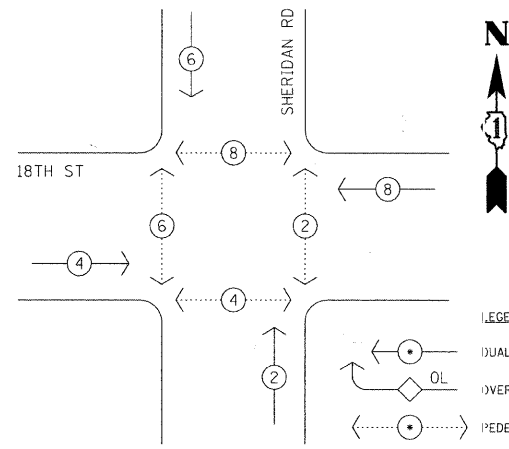


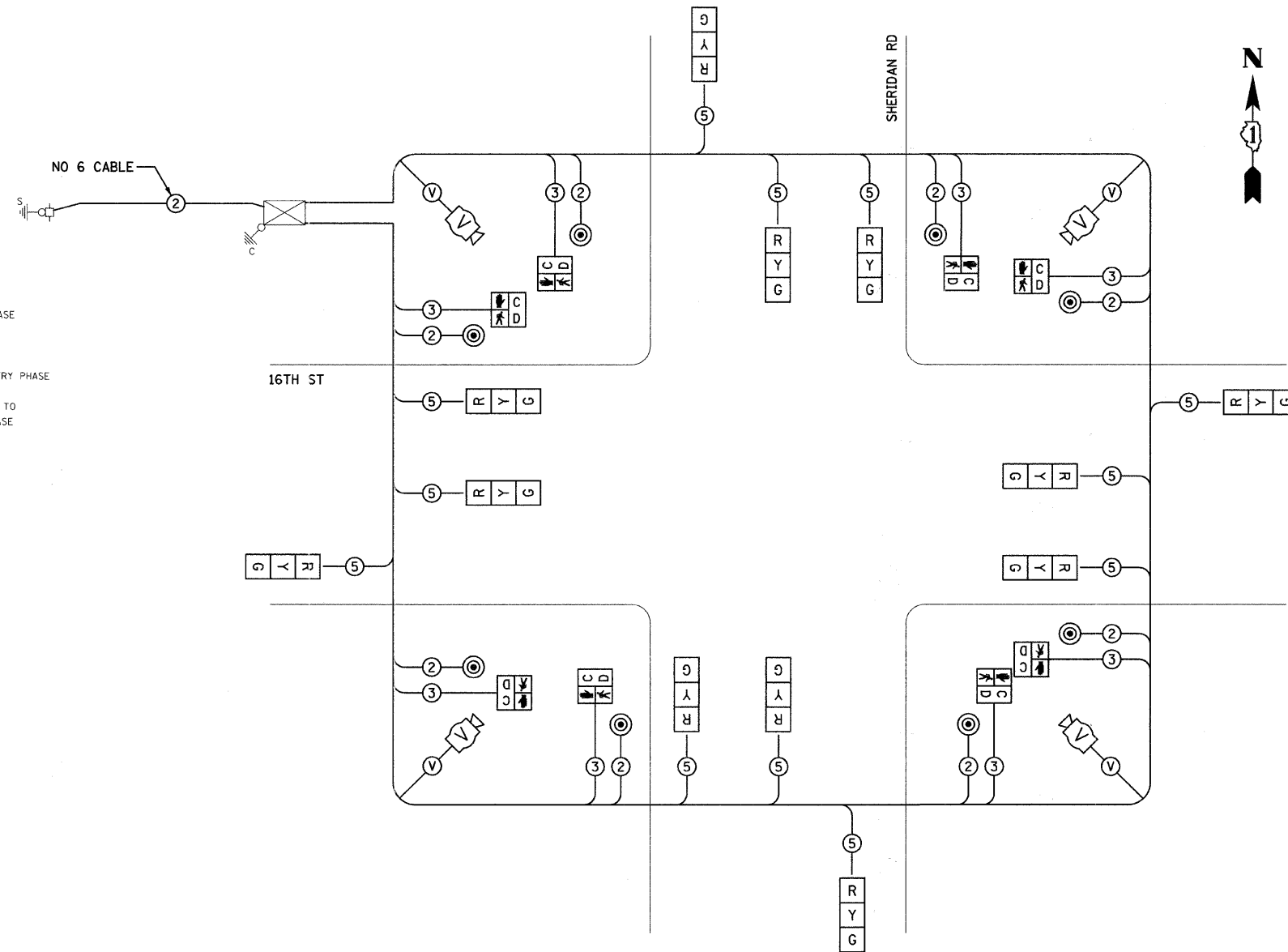
TEMPORARY CONTROLLER SEQUENCE



LEGEND
 ○ DUAL ENTRY PHASE
 ◊ OVERLAP
 ○ PEDESTRIAN ENTRY PHASE
 ○ NUMBER REFERS TO ASSOCIATED PHASE

TEMPORARY PHASE DESIGNATION DIAGRAM

TEMPORARY CABLE PLAN



I.D.O.T TRAFFIC SIGNAL INSTALLATION ELECTRICAL SERVICE REQUIREMENTS					TOTAL
TYPE	NO. LAMPS	WATTAGE (INCAND.)	LED	% OPERATION	WATTAGE
SIGNAL (RED)	12		17	0.50	102.00
(YELLOW)	12		25	0.25	75.00
(GREEN)	12		15	0.25	45.00
ARROW	0		12	0.10	0.00
PED. SIGNAL	8		25	1.00	200.00
CONTROLLER	1		100	1.00	100.00
VIDEO SYSTEM	1		-	1.00	150.00
ENERGY COSTS TO:					TOTAL = 672.00
ILLINOIS DEPARTMENT OF TRANSPORTATION 201 WEST CENTER COURT SCHAUMBURG, ILLINOIS 60196-1096					
ENERGY SUPPLY CONTACT: CRAIG WEBER					
PHONE: (630) 437-3313					
COMPANY: COM. ED.					

Ciorba Group, Inc.
 CONSULTING ENGINEERS
 5507 North Cumberland Avenue, Suite 402
 Chicago, Illinois 60656
 Tel. 773.775.4009 Fax 773.775.4014

DESIGNED - RJR	REVISED -
DRAWN - RJR	REVISED -
CHECKED - JMV	REVISED -
DATE - 03/22/2011	REVISED -

STATE OF ILLINOIS
 DEPARTMENT OF TRANSPORTATION

TEMPORARY CABLE PLAN, PHASE DESIGNATION DIAGRAM,
 SCHEDULE OF QUANTITIES
 SHERIDAN ROAD AT 16TH STREET
 SCALE: N.T.S. SHEET NO. 10 OF 35 SHEETS STA. TO STA.

F.A.P. RTE.	SECTION	COUNTY	TOTAL SHEETS	SHEET NO.
2736	09-00169-00-TL	LAKE	35	10
FED. ROAD DIST. NO. - ILLINOIS FED. AID PROJECT			CONTRACT NO. 63592	