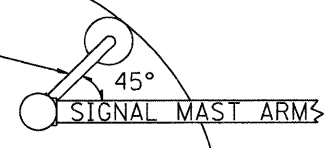


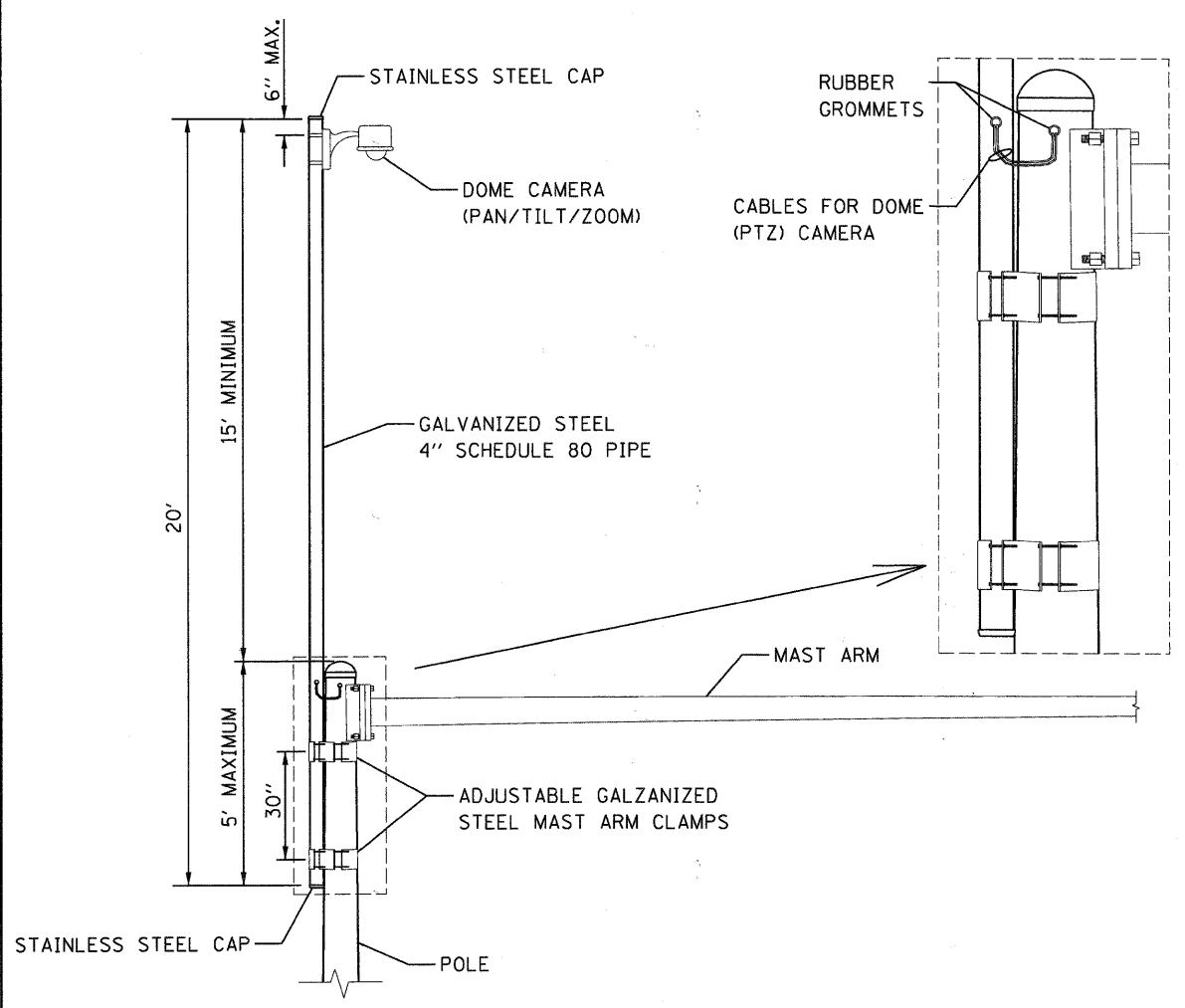
CENTER POINT OF INTERSECTION

EDGE OF PAV'T.

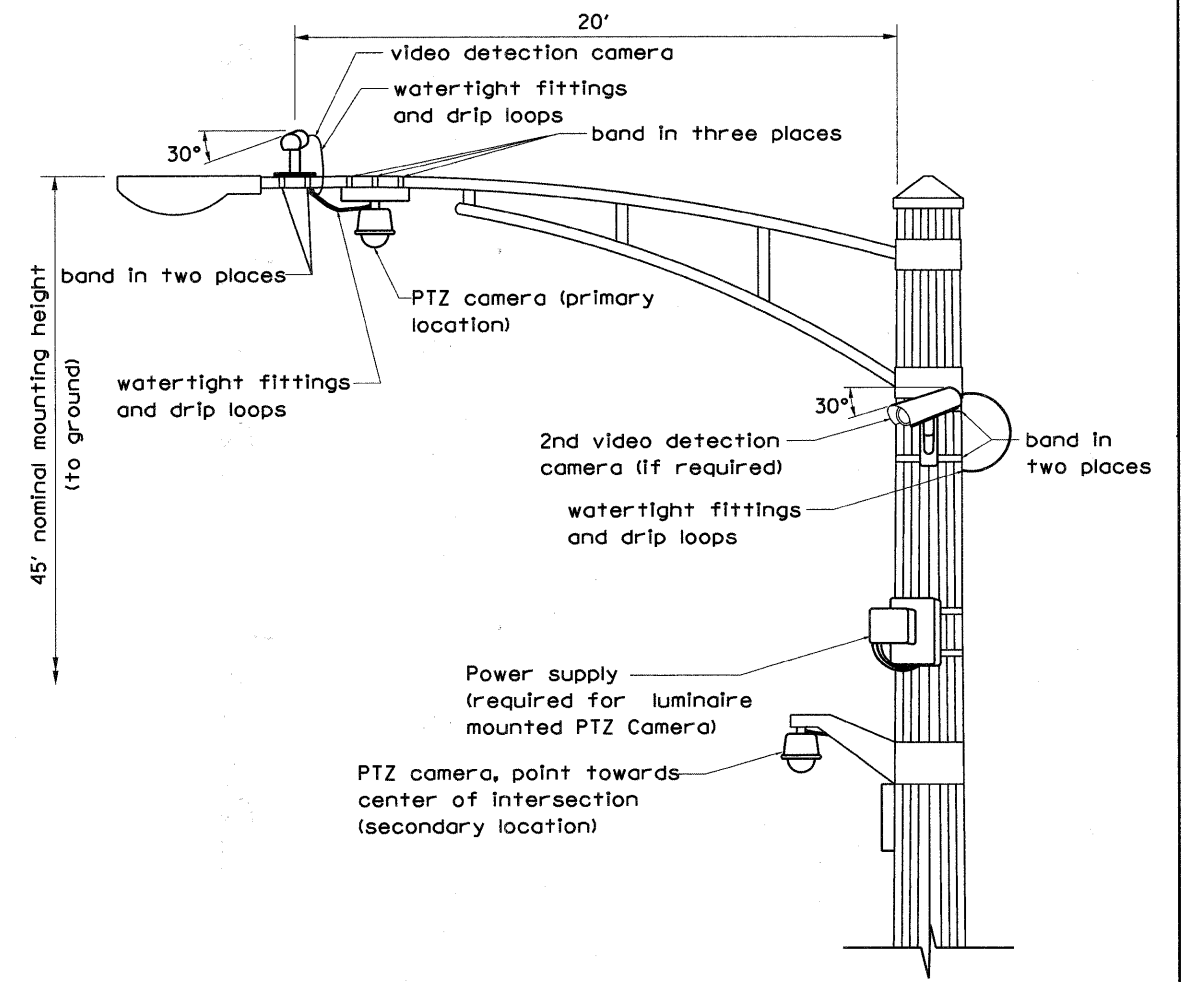
PZT CAMERA ARM SHALL BE ALIGNED AT AN ANGLE OF 45° TOWARD THE CENTER POINT OF THE INTERSECTION



**IMAGE SENSOR MOUNTING DETAILS**  
(NO SCALE)



**CAMERA MOUNTING ASSEMBLY DETAIL**  
(NOT TO SCALE)



**VIDEO DETECTION CAMERA(S) AND DOME (PTZ) CAMERA MOUNTING DETAIL**  
(NOT TO SCALE)

- NOTES FOR SINGLE, DUAL AND MULTIPLE MVP MOUNTING:
- MOUNT LUMINAIRE MOUNTING BRACKET AS HIGH AS POSSIBLE.
  - AIM BRACKET TOWARD DIRECTION OF TRAFFIC TO BE DETECTED.
  - MOUNT MACHINE VISION PROCESSOR AIMING DOWN AT 30 DEGREE ANGLE.

|             |                      |                   |           |   |   |                |      |    |                             |         |                          |              |                    |  |
|-------------|----------------------|-------------------|-----------|---|---|----------------|------|----|-----------------------------|---------|--------------------------|--------------|--------------------|--|
| FILE NAME = | USER NAME = #USER#   | DESIGNED - DG     | REVISED - | <b>STATE OF ILLINOIS<br/>DEPARTMENT OF TRANSPORTATION</b> | <b>CCTV AND VIDEO DETECTION MOUNTING DETAIL</b> |                |      |    | F.A.P. RTE.                 | SECTION | COUNTY                   | TOTAL SHEETS | SHEET NO.          |  |
| #FILEL#     |                      | DRAWN - JM        | REVISED - |   | VARIES  | 08-00389-00-TL | KANE | 28 | 23                          |         |                          |              |                    |  |
|             | PLOT SCALE = #SCALE# | CHECKED - DB      | REVISED - |   | SCALE: 1" = 15'                                 |                |      |    | SHEET NO. ___ OF ___ SHEETS |         | STA. _____ TO STA. _____ |              | CONTRACT NO. 63594 |  |
|             | PLOT DATE = #DATE#   | DATE - 04/11/2011 | REVISED - |   | ILLINOIS FED. AID PROJECT                       |                |      |    |                             |         |                          |              |                    |  |