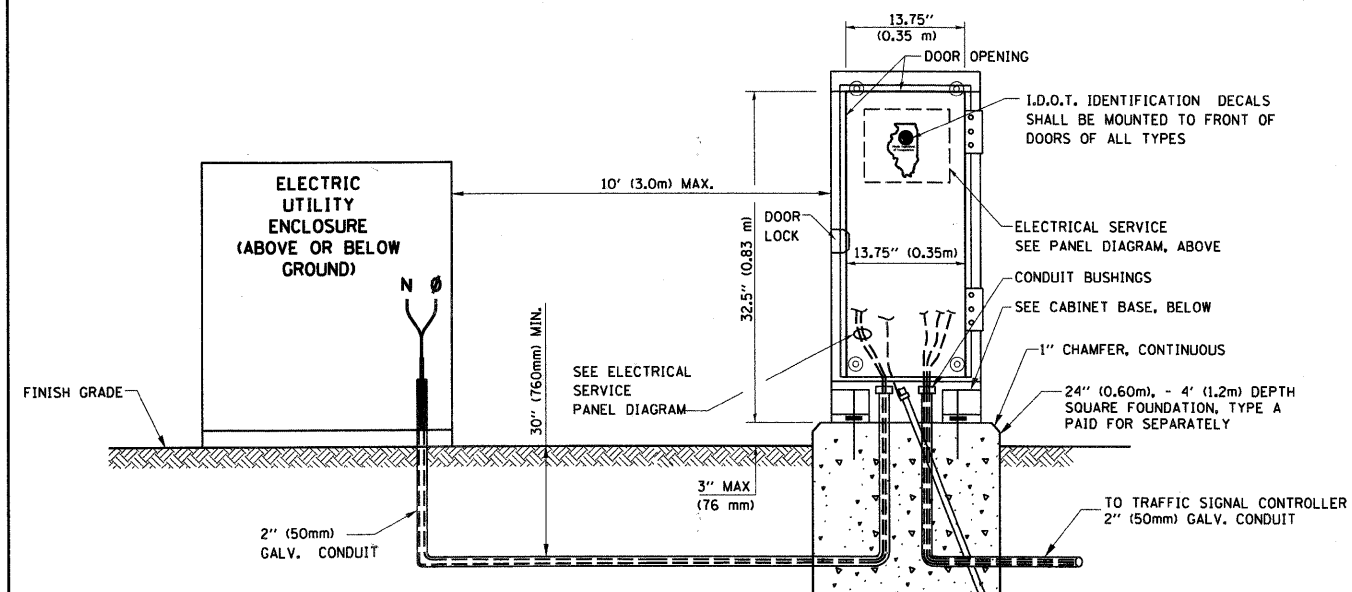
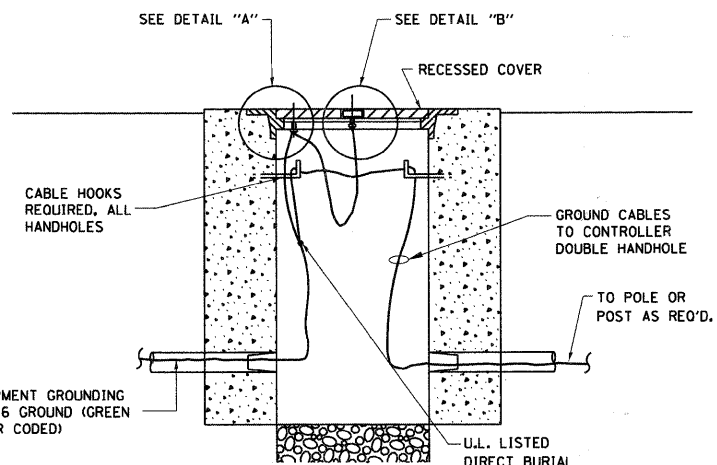
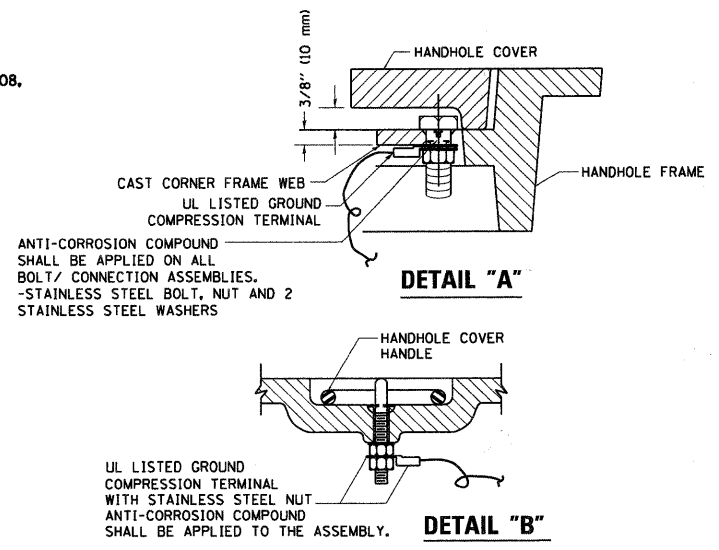
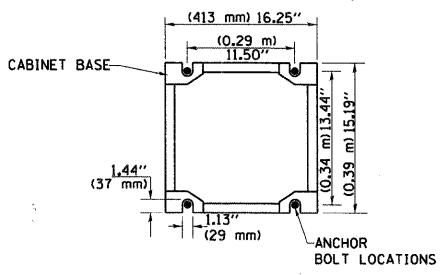


ELECTRICAL SERVICE - PANEL DIAGRAM (TYPICAL FOR POLE AND GROUND MOUNTED SERVICE)
SERVICE INSTALLATION POLE MOUNT (SHOWN)
 (NOT TO SCALE)

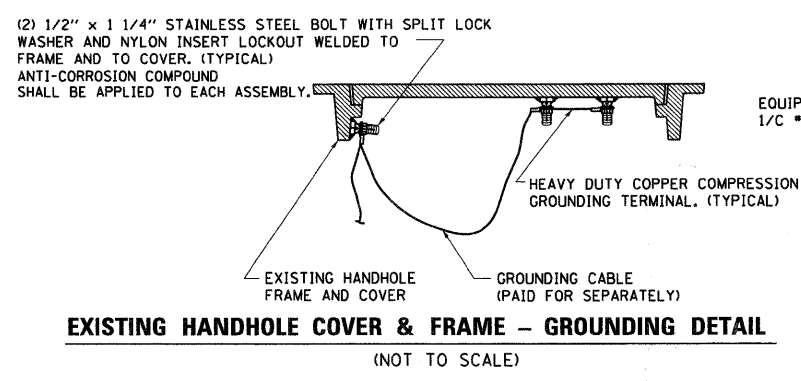


SERVICE INSTALLATION GROUND MOUNT
 (NOT TO SCALE)

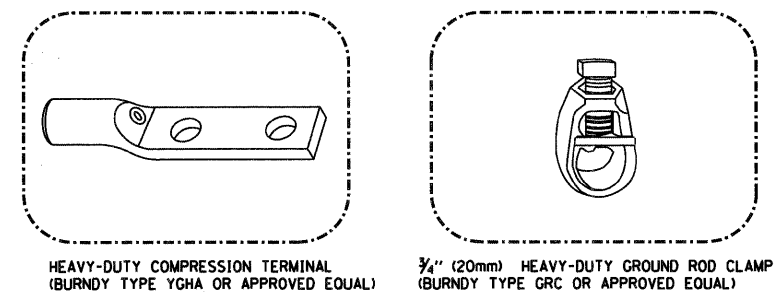
CABINET - BASE BOLT PATTERN
 (NOT TO SCALE)



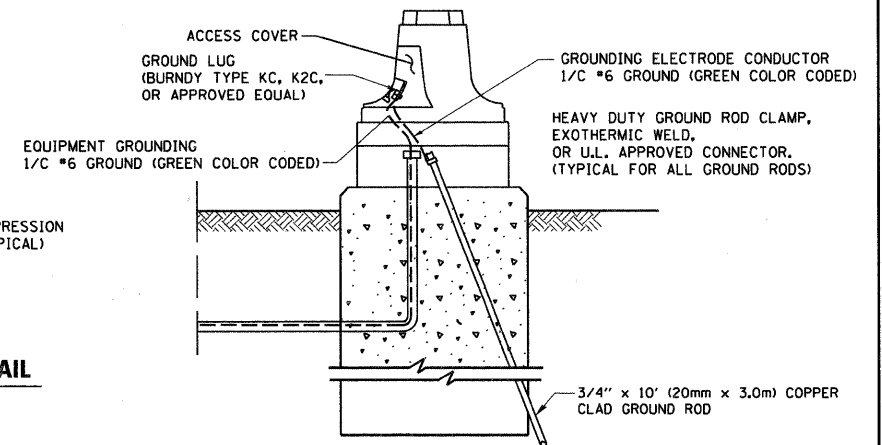
HANDHOLE COVER & FRAME - GROUNDING DETAIL
 (NOT TO SCALE)



EXISTING HANDHOLE COVER & FRAME - GROUNDING DETAIL
 (NOT TO SCALE)



- NOTES:**
- ALL CLAMPS SHALL BE BRONZE OR COPPER, UL APPROVED.
 - GROUND CABLE SHALL BE LOOPED OVER HOOKS IN THE HANDHOLES 6.5' (2.0m) SLACK SHALL BE PROVIDED IN SINGLE HANDHOLES 13' (4.0m) OF SLACK SHALL BE PROVIDED IN DOUBLE HANDHOLES. 5' (1.4m) OF SLACK SHALL BE PROVIDED BETWEEN FRAME AND COVER.



MAST ARM POLE / POST-GROUNDING DETAIL
 (NOT TO SCALE)

FILE NAME =	USER NAME = #USER#	DESIGNED - DAD	REVISED -	STATE OF ILLINOIS DEPARTMENT OF TRANSPORTATION	DISTRICT ONE		F.A.P. RTE.	SECTION	COUNTY	TOTAL SHEETS	SHEET NO.
#FILEL#		DRAWN - BCK	REVISED -		STANDARD TRAFFIC SIGNAL DESIGN DETAILS		VARIES	08-00389-00-TL	KANE	31	
PLOT SCALE = #SCALE#		CHECKED - DAD	REVISED -		SCALE: NONE	SHEET NO. 3 OF 6 SHEETS	STA.	TO STA.	TS-05		
PLOT DATE = #DATE#		DATE - 10-28-09	REVISED -		CONTRACT NO. 63594						
					FED. ROAD DIST. NO. 1 (ILLINOIS) FED. AID PROJECT						
					ILLINOIS DEPARTMENT OF TRANSPORTATION						