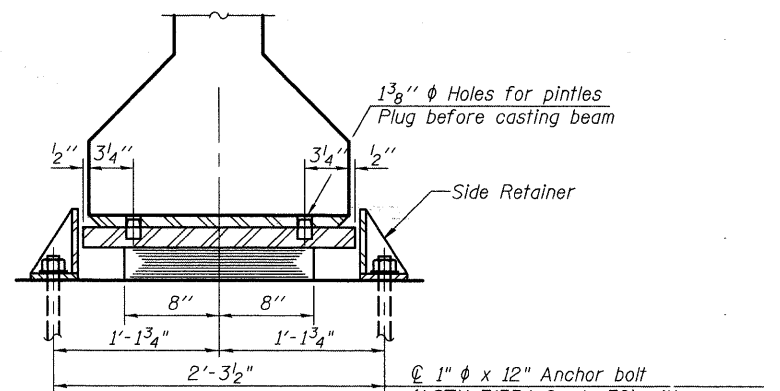
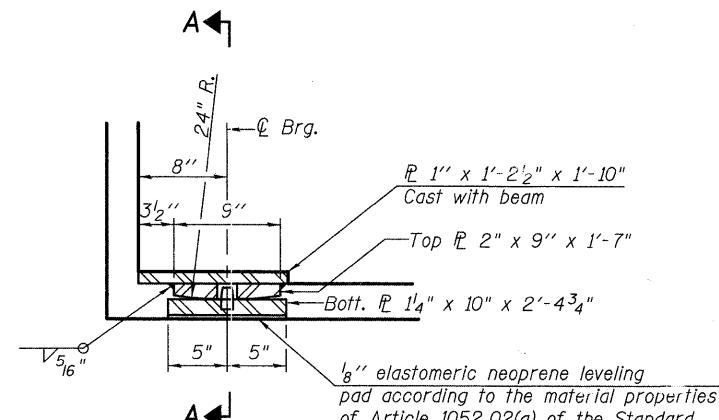


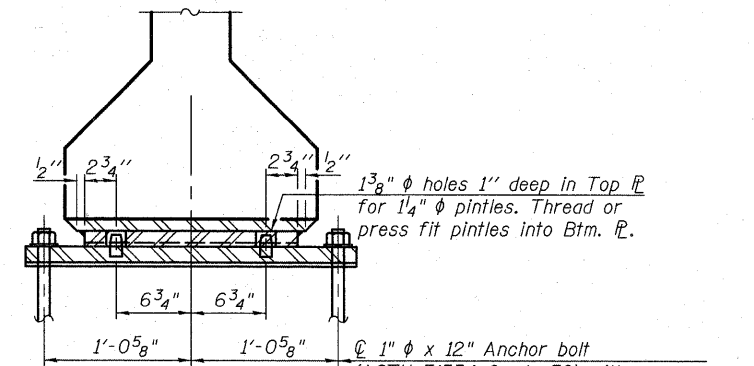
SECTION AT N. ABUT.



SECTION A-A



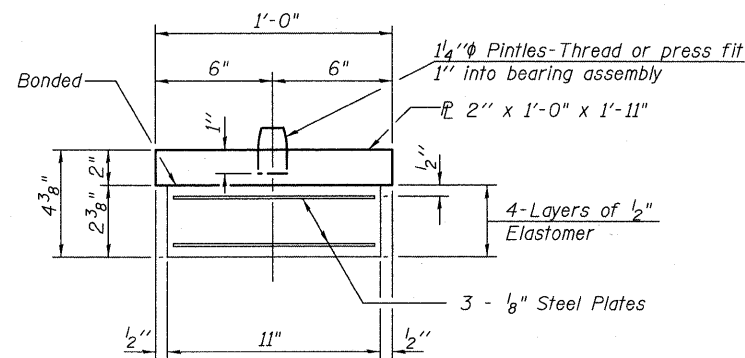
SECTION AT S. ABUT.



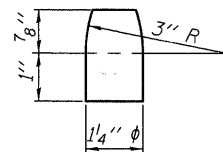
SECTION A-A

**TYPE I ELASTOMERIC EXP. BRG.**

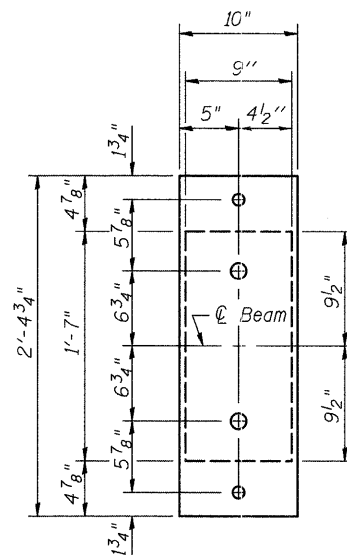
(7 Required)



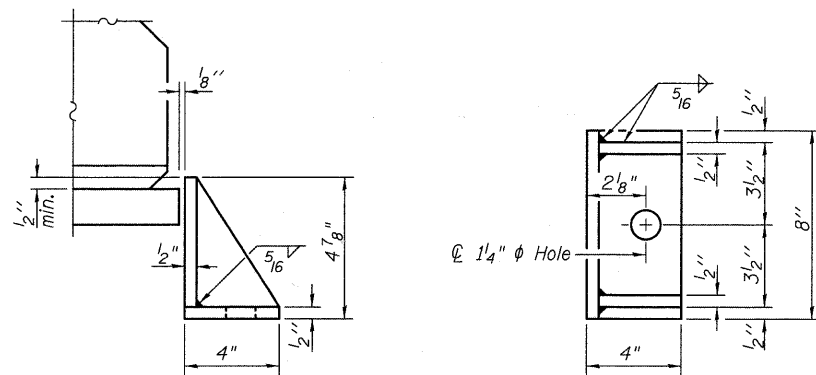
BEARING ASSEMBLY



PINTLE



PLAN OF TOP & BOTTOM PLATES



**SIDE RETAINER**

Equivalent rolled angle with stiffeners will be allowed in lieu of welded plates.

**FIXED BEARING**

(7 Required)

**Notes:**

Anchor bolts shall be ASTM F1554 all-thread (or an Engineer-approved alternate material) of the grade(s) and diameter(s) specified. ASTM A307 Grade C anchor bolts may be used in lieu of ASTM F1554 Grade 36 (Fy=36ksi). The corresponding specified grade of AASHTO M314 anchor bolts may be used in lieu of ASTM F1554.

Anchor bolts for side retainers may be cast in place or installed in holes drilled after members are in place.

Anchor bolts at fixed bearings may be either cast in place or installed in holes drilled after the supported member is in place and prior to pouring the deck.

Drilled and set anchor bolts shall be installed according to Article 521.06 of the Standard Specifications.

Side retainers and other steel members required for the bearing assembly shall be included in the cost of Elastomeric Bearing Assembly, Type I.

See sheet S11 for additional details of plate cast with beam.

The structural steel plates of the Bearing Assembly shall conform to the requirements of AASHTO M270 Grade 50 (AASHTO M270 Grade 50W.)

All (embedded and separate) bearing plates, side retainers, anchor bolts, nuts, washers and pintles shall be galvanized according to AASHTO M111 or M232 as applicable.

H.S. bolts in bearing assembly shall be galvanized according to AASHTO M298 Class 50.

**BILL OF MATERIAL**

Item	Unit	Total
Elastomeric Bearing Assembly, Type I	Each	7
Steel Bearing Assembly	Each	7
Anchor Bolts, 1"	Each	28

J:\2312\cod\struct\12.Bearing Details.dgn 4/6/37 PM 3/24/2011



450 E Devon Ave, Suite 300  
Itasca, Illinois 60143  
Tel: 630.773.3900 Fax: 630.773.3975  
www.civiltechinc.com

DESIGNED - D. Atkins	REVISED -
DRAWN - D. Atkins	REVISED -
CHECKED - G. Hatlestad	REVISED -
DATE - March 25, 2011	REVISED -

STATE OF ILLINOIS  
DEPARTMENT OF TRANSPORTATION

BEARING DETAILS  
UMBENSTOCK ROAD OVER CC&P RR  
STRUCTURE NO. 045-3162

SHEET NO. S12 OF S28 SHEETS

F.A.P. RTE.	SECTION	COUNTY	TOTAL SHEETS	SHEET NO.
361	06-00214-27-BR	KANE	87	45
CONTRACT NO. 63595				
FED. ROAD DISTRICT 1 ILLINOIS FED. AID PROJECT				