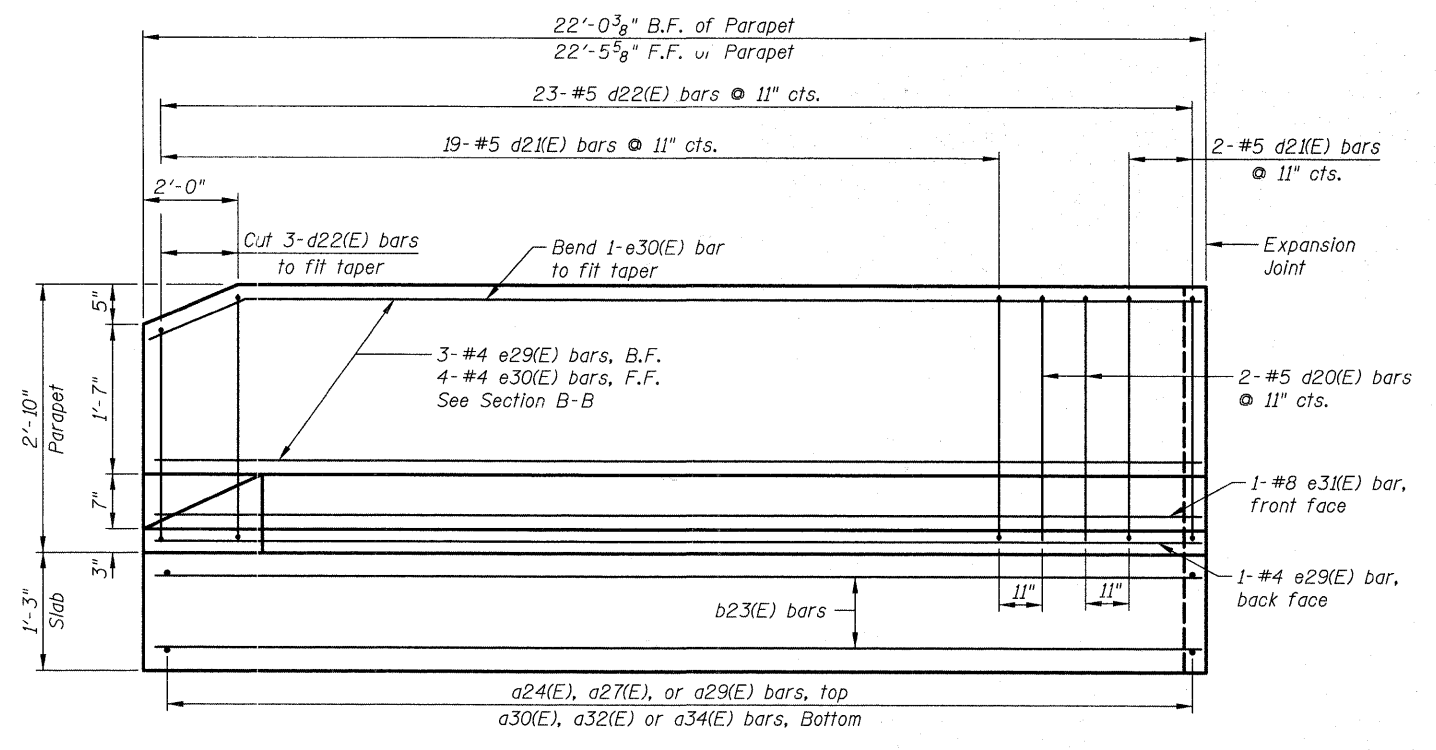
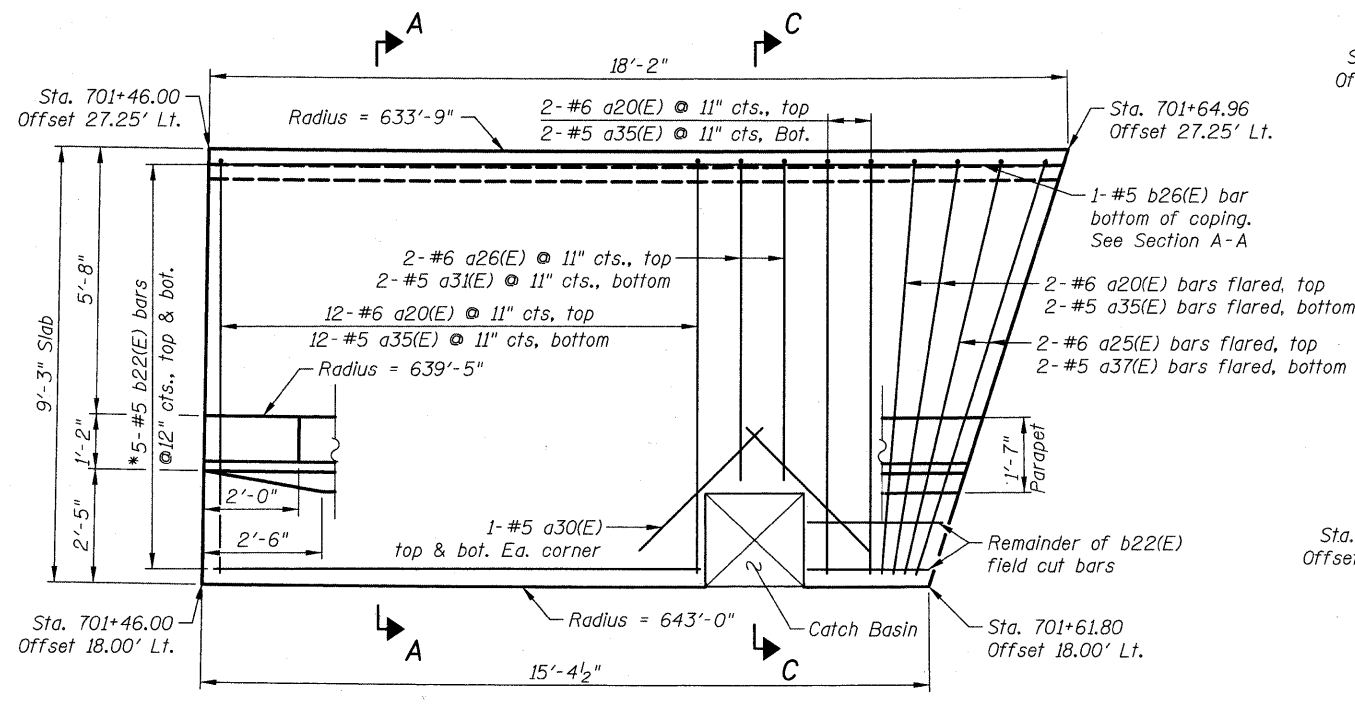


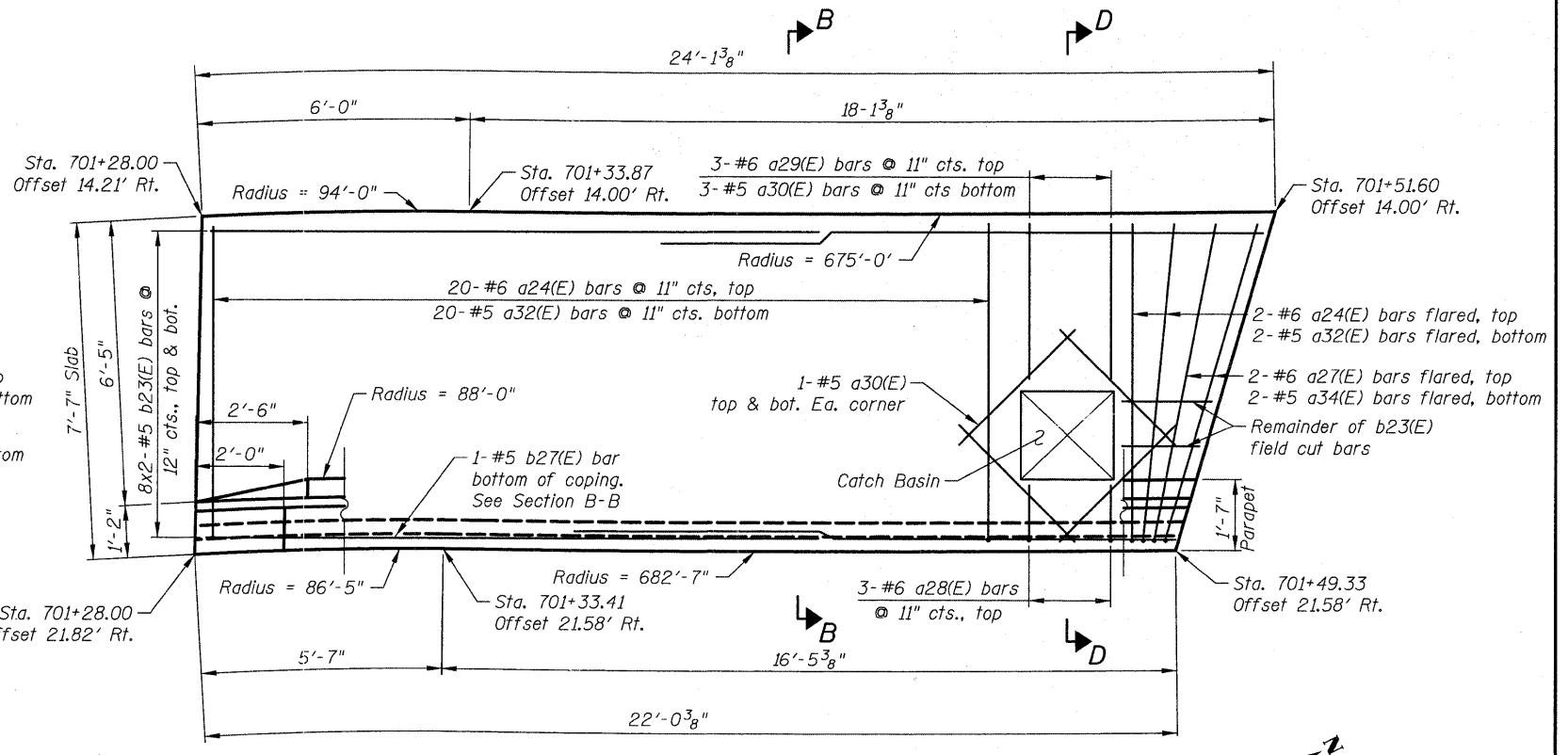
ELEVATION SW ANCHORAGE SLAB
(Front face of parapet)



ELEVATION SE ANCHORAGE SLAB
(Front face of parapet)



PLAN SW ANCHORAGE SLAB
*Field cut to fit



PLAN SE ANCHORAGE SLAB

MINIMUM BAR LAP
(Anchorage Slab)
#5 bar = 3'-3"

- Notes:
1. See sheet S16 and S17 for MSE wall details.
2. See sheet S20 for Section A-A, B-B and Bill of Material.
3. See roadway plans for drainage information.

J:\2372\cod\struct\19 SW & SE Anchorage Slab.dgn
 4/16/11 4:48 PM
 3/24/2011

CIVILTECH
 450 E Devon Ave, Suite 300
 Itasca, Illinois 60143
 Tel: 630.773.3900 Fax: 630.773.3975
 www.civiltechinc.com

DESIGNED - D. Atkins	REVISED -
DRAWN - D. Atkins	REVISED -
CHECKED - G. Hatlestad	REVISED -
DATE - March 25, 2011	REVISED -

STATE OF ILLINOIS
DEPARTMENT OF TRANSPORTATION

SOUTHWEST AND SOUTHEAST ANCHORAGE SLAB
UMBENSTOCK ROAD OVER CC&P RR
STRUCTURE NO. 045-3162
 SHEET NO. S19 OF S28 SHEETS

F.A.P. RTE. 361	SECTION 06-00214-27-BR	COUNTY KANE	TOTAL SHEETS 87	SHEET NO. 52
CONTRACT NO. 63595				
FED. ROAD DISTRICT 1 ILLINOIS FED. AID PROJECT				