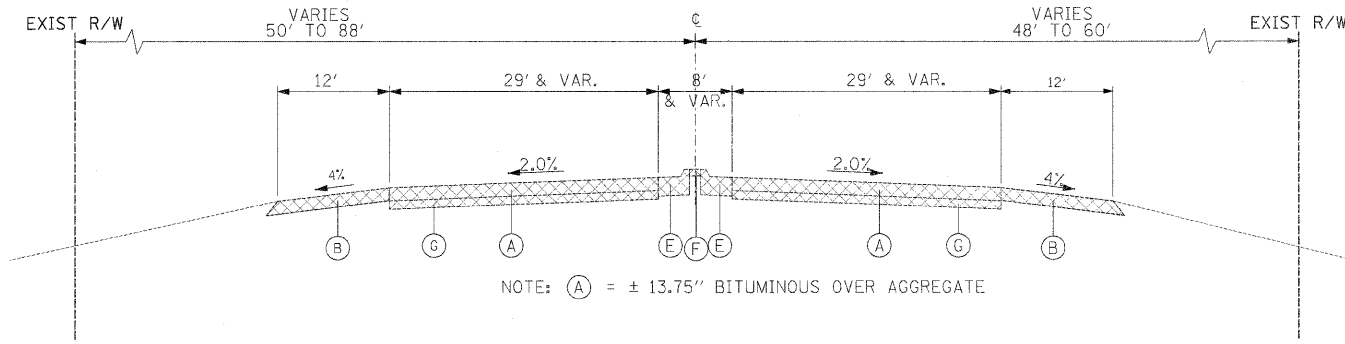
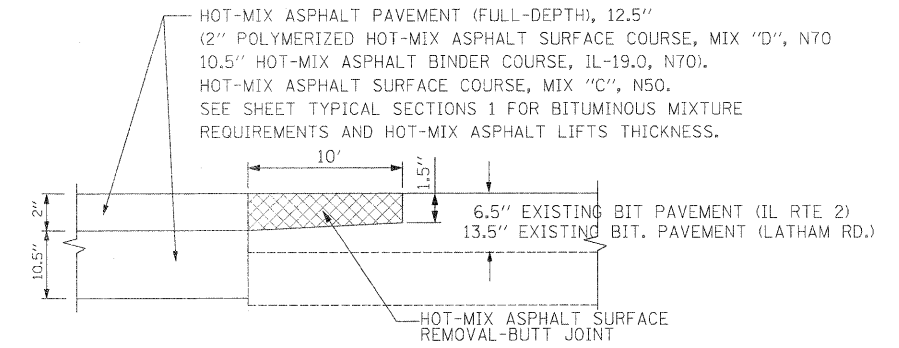


LATHAM ROAD
 EXISTING TYPICAL SECTION
 STA. 1646+62 TO STA. 1675+02
 STA. 1679+55 TO STA. 1700+53

- LEGEND:**
EXISTING
- (A) PAVEMENT
 - (B) AGGREGATE SHOULDER, ±6"
 - (C) BITUMINOUS SHOULDER, ±6"
 - (D) CONCRETE BASE
 - (E) COMBINATION CURB & GUTTER
 - (F) MEDIAN, ±4"
 - (G) AGGREGATE BASE



LATHAM ROAD
 EXISTING TYPICAL SECTION
 STA. 1675+02 TO STA. 1679+55



TRANSITION DETAIL

IL. RTE. 2 STA. 854+69.40
 LATHAM ROAD STA. 1646+62.40
 AND STA. 1700+53.00

N:\projects\1124\1124\1124\1124.dwg User: j... Date: 1/11/11

USER NAME = thorpard	DESIGNED STS/GC	REVISED
PLT SCALE = 10.00000 ft / in.	DRAWN RDT	REVISED
PLT DATE = 4/4/2011	CHECKED GC	REVISED
	DATE 01-14-11	REVISED

STATE OF ILLINOIS
DEPARTMENT OF TRANSPORTATION

ILLINOIS ROUTE 2 TYPICAL SECTIONS 7 LATHAM ROAD	
SCALE: NTS	SHEET NO. 45 OF 530 SHEETS
STA.	TO STA.

F.A.P. RTE.	SECTION	COUNTY	TOTAL SHEETS	SHEET NO.
734	77-2-2 & 77-2B-1	WINNEBAGO	530	45
CONTRACT NO. 64813				
FED. ROAD DIST. NO. ILLINOIS FED. AID PROJECT				