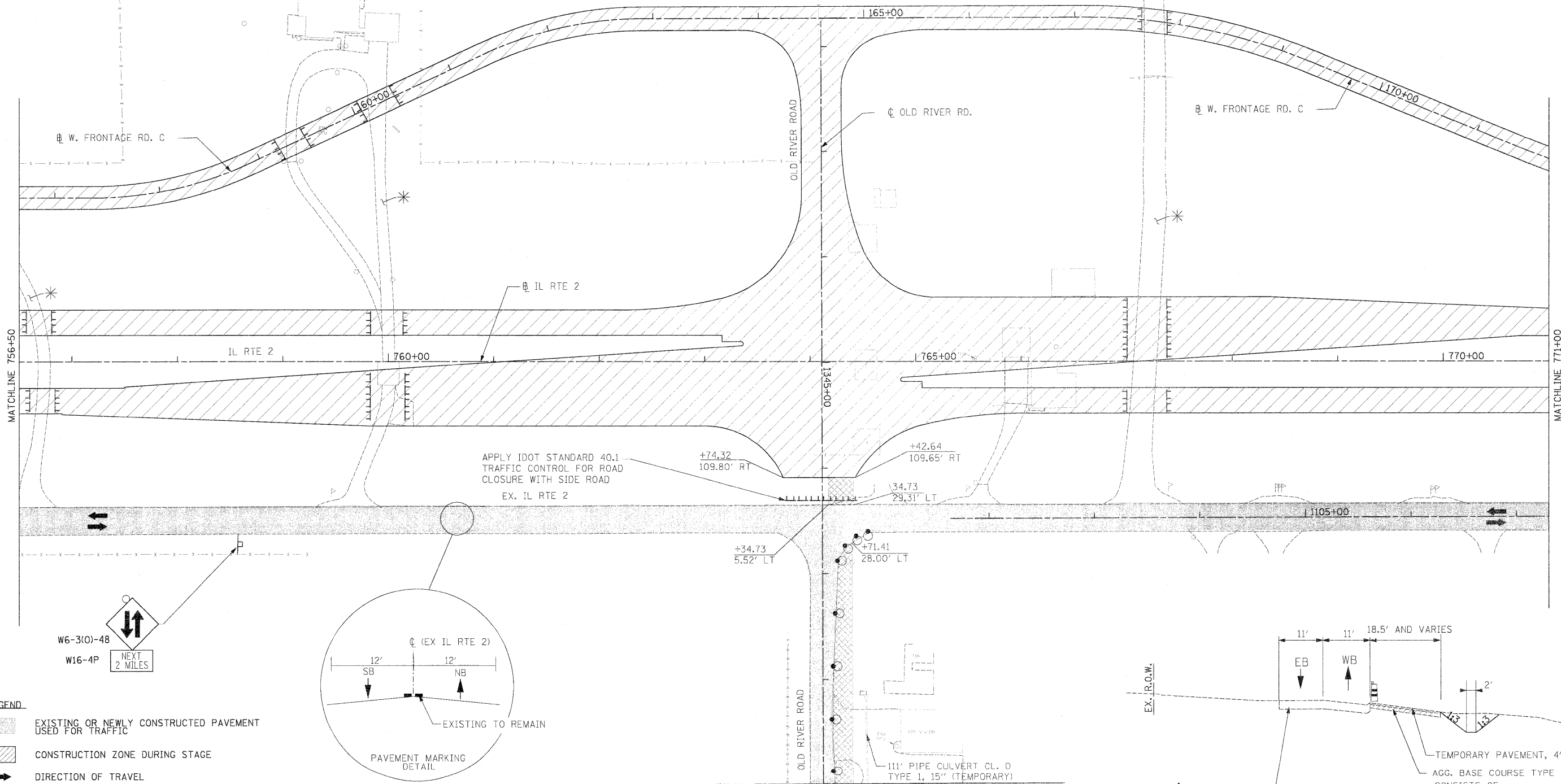
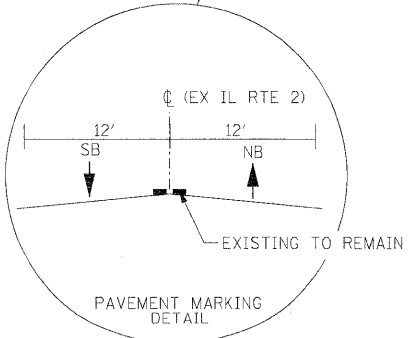
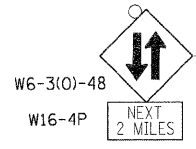


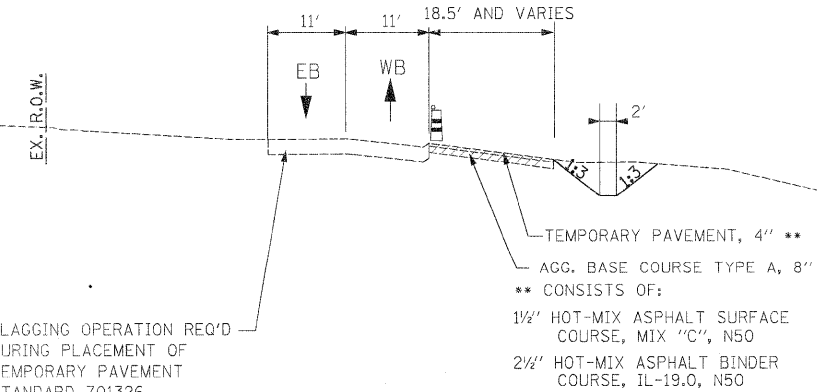
* PRIOR TO REMOVING PE'S & GEDDES RD.
CONTRACTOR SHALL PROVIDE GRADING & BASE
COURSE ON FRONTAGE RD. C UP TO EXISTING
INTERSECTION OF IL RTE 2 & OLD RIVER RD.



APPLY IDOT STANDARD 40.1
TRAFFIC CONTROL FOR ROAD
CLOSURE WITH SIDE ROAD
EX. IL RTE 2



- LEGEND**
- EXISTING OR NEWLY CONSTRUCTED PAVEMENT USED FOR TRAFFIC
 - CONSTRUCTION ZONE DURING STAGE
 - DIRECTION OF TRAVEL
 - TEMPORARY PAVEMENT (SEE TYPICAL SECTION FOR WIDENING)
 - BARRICADE, TYPE III
 - DRUM WITH STEADY BURNING LIGHT
 - ARROW BOARD



FLAGGING OPERATION REQ'D
DURING PLACEMENT OF
TEMPORARY PAVEMENT
STANDARD 701326

TYPICAL SECTION FOR WIDENING
OLD RIVER ROAD
(LOOKING WEST)
STA. 1346+71 TO STA. 1355+12

MATCHLINE 1349+00
SEE STAGE 1-14

USER NAME = thompard	DESIGNED STS/RDT	REVISED -
DRAWN RDT	REVISED -	
CHECKED GC	REVISED -	
DATE 01-14-11	REVISED -	

**STATE OF ILLINOIS
DEPARTMENT OF TRANSPORTATION**

**ILLINOIS ROUTE 2
SUGGESTED STAGES OF CONSTRUCTION
AND TRAFFIC CONTROL STAGE 1 - 6**

SCALE: 1"=50' SHEET NO. 119 OF 530 SHEETS STA. 756+50 TO STA. 771+00

F.A.P. RTE.	SECTION	COUNTY	TOTAL SHEETS	SHEET NO.
734	77-2-2 & 77-20-1	WINNEBAGO	530	119
FED. ROAD DIST. NO. ILLINOIS FED. AID PROJECT			CONTRACT NO. 64813	