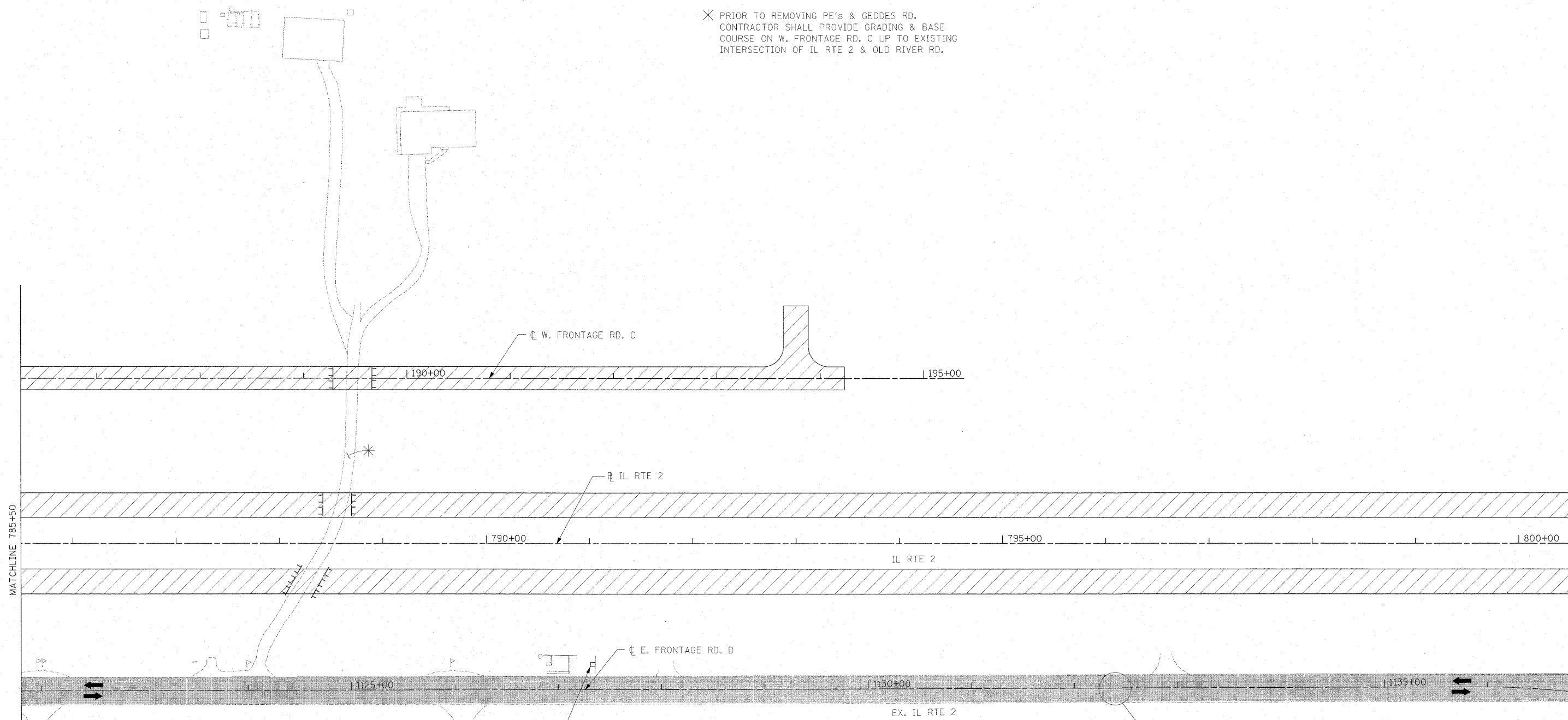
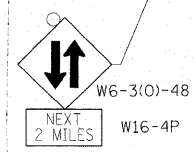
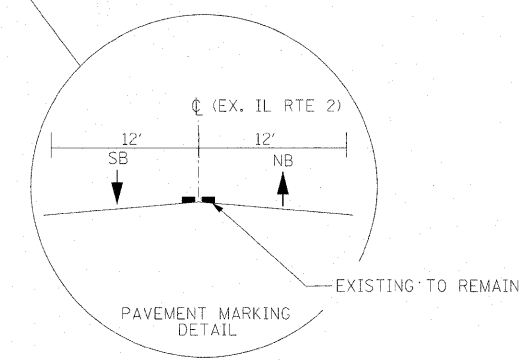




* PRIOR TO REMOVING PE'S & GEDDES RD.
CONTRACTOR SHALL PROVIDE GRADING & BASE
COURSE ON W. FRONTAGE RD. C UP TO EXISTING
INTERSECTION OF IL RTE 2 & OLD RIVER RD.



- LEGEND**
- EXISTING OR NEWLY CONSTRUCTED PAVEMENT USED FOR TRAFFIC
 - CONSTRUCTION ZONE DURING STAGE
 - DIRECTION OF TRAVEL
 - TEMPORARY PAVEMENT (SEE TYPICAL SECTION FOR WIDENING)
 - BARRICADE, TYPE III
 - DRUM WITH STEADY BURNING LIGHT
 - ARROW BOARD



**STATE OF ILLINOIS
DEPARTMENT OF TRANSPORTATION**

**ILLINOIS ROUTE 2
SUGGESTED STAGES OF CONSTRUCTION
AND TRAFFIC CONTROL STAGE 1 - 8**

USER NAME = zulkasid	DESIGNED STS/RDT	REVISED -
	DRAWN RDT	REVISED -
PLOT SCALE = 50.0000 FT / IN.	CHECKED GC	REVISED -
PLOT DATE = 2/2/2011	DATE 01-14-11	REVISED -

SCALE: 1"=50'	SHEET NO. 121 OF 530 SHEETS	STA. 785+50 TO STA. 800+50	F.A.P. RTE. 734	SECTION 77-2-2 & 77-2B-1	COUNTY WINNEBAGO	TOTAL SHEETS 530	SHEET NO. 121
			CONTRACT NO. 64813				
			FED. ROAD DIST. NO. [ILLINOIS] FED. AID PROJECT				