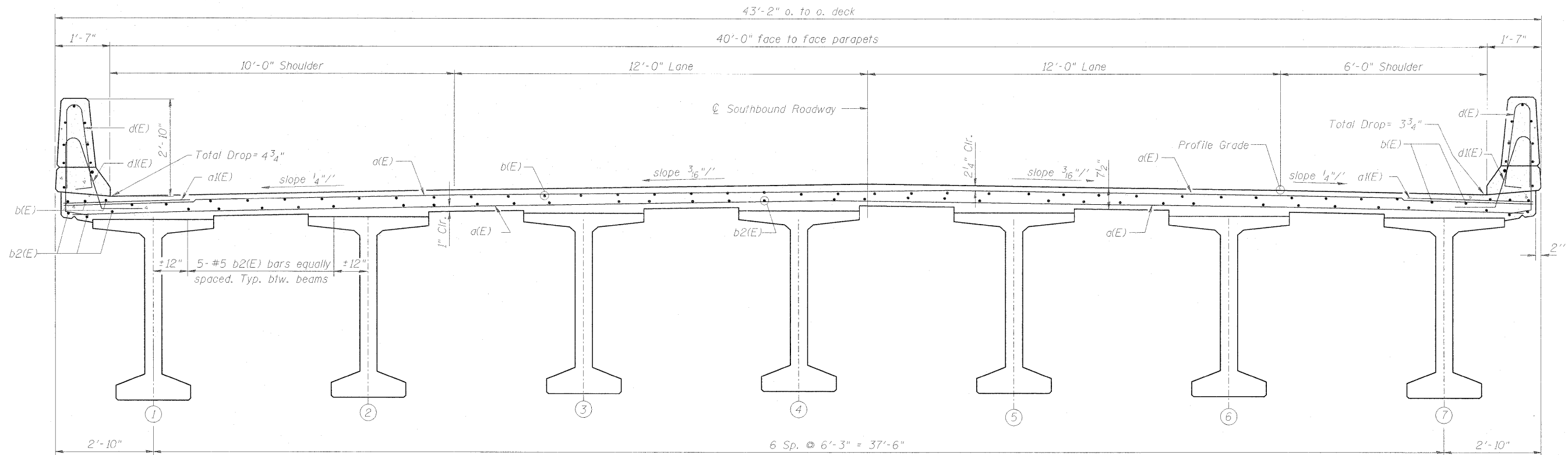


STATE OF ILLINOIS  
DEPARTMENT OF TRANSPORTATION



**SB-CROSS SECTION**  
(Looking North)

Notes: See Sheet 16 of 30 for superstructure details, parapet reinforcement, and Bill of Material.

Reinforcement bars designated (E) shall be epoxy coated.

**DECK CROSS SECTION SOUTHBOUND**  
**STRUCTURE NO. 101-0177**

DESIGNED - BTP
CHECKED - JAN
DRAWN - BTO
CHECKED - JAW

SHEET NO. 14	F.A.P. RTE.	SECTION	COUNTY	TOTAL SHEETS	SHEET NO.
	734	77-2B-1, 77-2-2	WINNEBAGO	530	286
30 SHEETS	CONTRACT NO. 64813				
FED. ROAD DIST. NO.		ILLINOIS	FED. AID PROJECT		