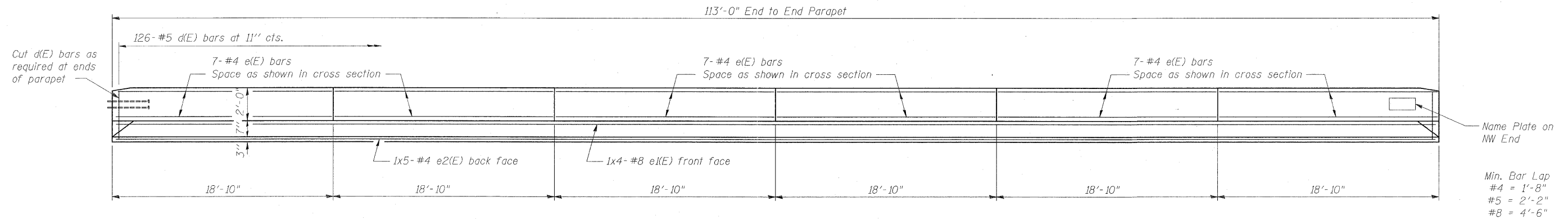
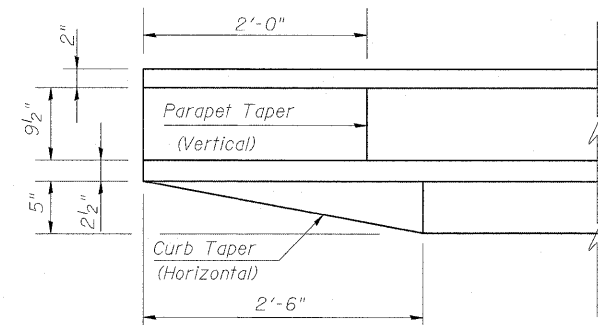
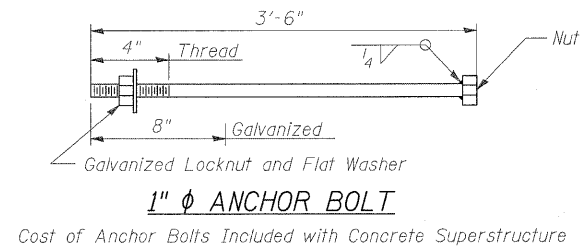


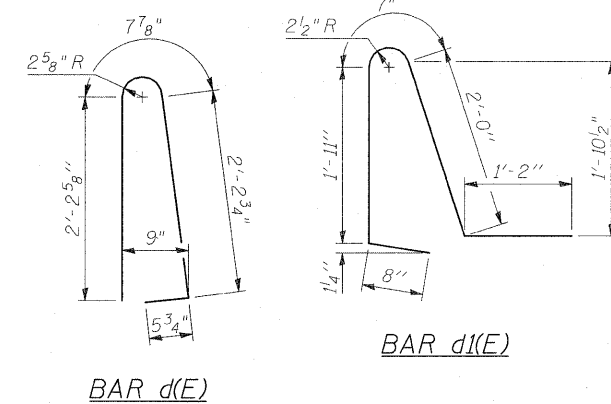
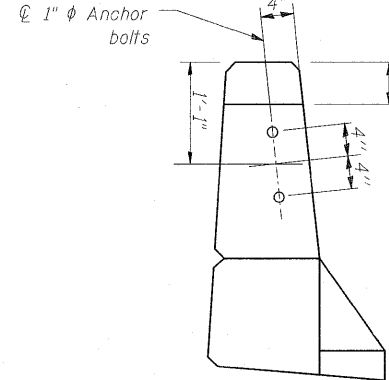
STATE OF ILLINOIS
DEPARTMENT OF TRANSPORTATION



INSIDE ELEVATION OF WEST PARAPET
Looking West (East Parapet Similar)

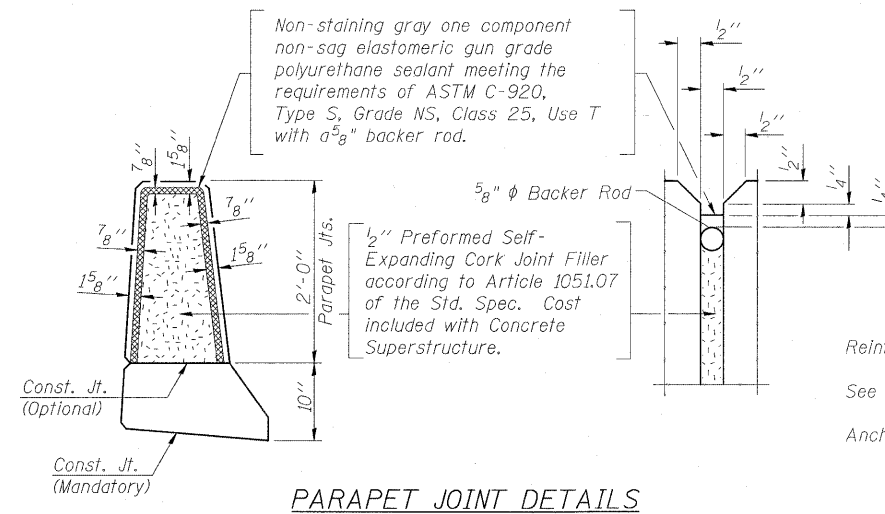
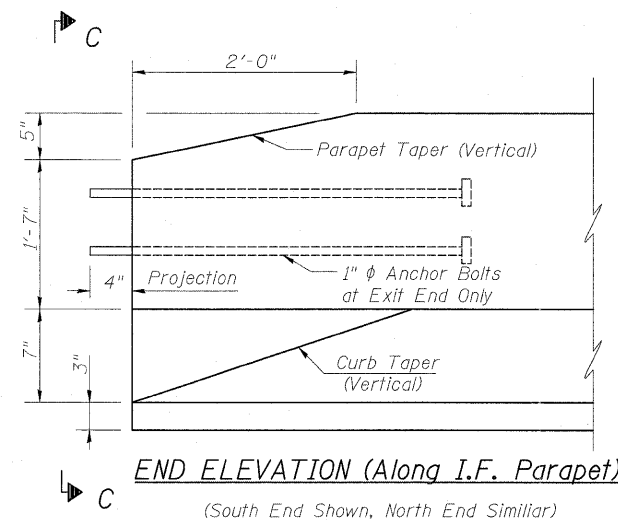
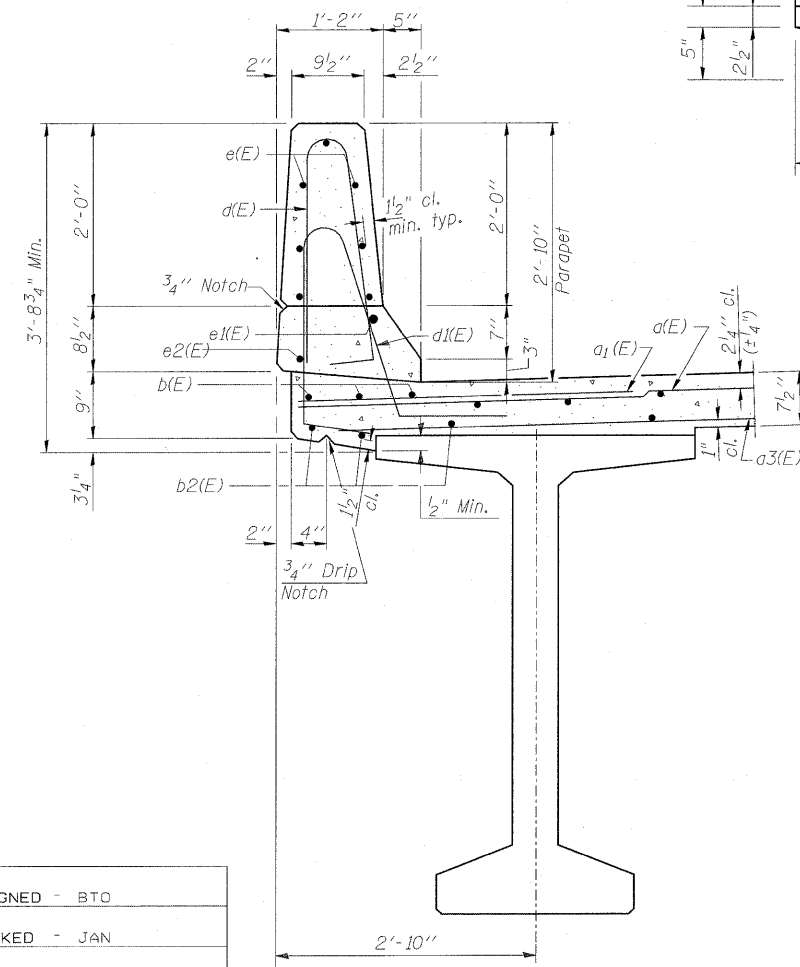


END PLAN @ APPROACH
(South End Shown, North End Similar)



SB SUPERSTRUCTURE
BILL OF MATERIAL

Bar	No.	Size	Length	Shape
d(E)	272	#5	42'-10"	—
d1(E)	270	#6	6'-0"	—
b(E)	180	#5	29'-10"	—
b2(E)	180	#5	24'-4"	—
d(E)	252	#5	5'-7"	U
d1(E)	252	#5	6'-4"	P
e(E)	84	#4	18'-7"	—
e1(E)	16	#8	31'-7"	—
e2(E)	20	#4	24'-6"	—
m(E)	8	#6	21'-9"	—
m1(E)	16	#6	22'-9"	—
m2(E)	42	#6	8'-6"	—
m3(E)	12	#6	3'-10"	—
m4(E)	4	#6	1'-6"	—
s(E)	84	#5	5'-0"	U
s1(E)	48	#4	14'-10"	U
v(E)	84	#5	3'-8"	—
Reinforcement Bars, Epoxy Coated			Lbs.	33,260
Concrete Superstructure			Cu. Yds.	200.7



Reinforcement bars designated (E) shall be epoxy coated.
See sht. 21 for details of s(E), s1(E), and v(E) bars.
Anchor bolts shall be A307 Gr C, F 1554 Gr 36 or M314 Gr 36.

SB SUPERSTRUCTURE DETAILS & B.O.M.
STRUCTURE NO. 101-0177

DESIGNED - BTO
CHECKED - JAN
DRAWN - BTO
CHECKED - JAW

SHEET NO. 16 30 SHEETS	F.A.P. RTE. 734	SECTION 77-2B-1, 77-2-2	COUNTY WINNEBAGO	TOTAL SHEETS 530	SHEET NO. 288
	CONTRACT NO. 64813				
FED. ROAD DIST. NO.		ILLINOIS FED. AID PROJECT			

Work this sheet with Sheets 12 of 30 and 14 of 30.